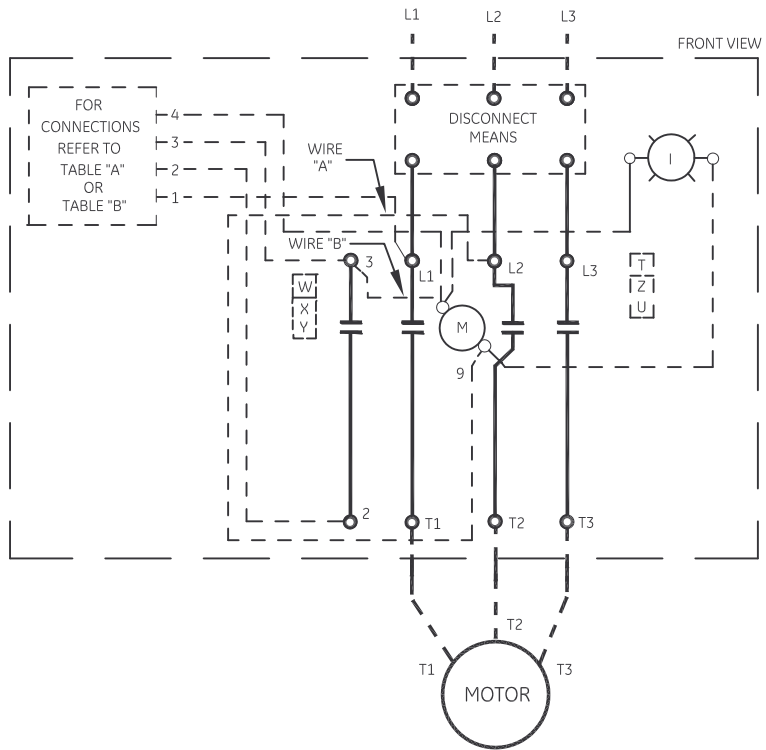


TABLE A STANDARD PILOT DEVICES	TABLE B OIL-TIGHT PILOT DEVICES
START-STOP 	START-STOP
PUSHBUTTONS 	PUSHBUTTONS
OFF ON <p>(OMIT WIRE "B")</p>	OFF ON <p>(OMIT WIRE "B")</p>
2 POSITION SELECTOR SWITCH <p>(OMIT WIRE "B")</p>	2 POSITION SELECTOR SWITCH <p>(OMIT WIRE "B")</p>
REMOTE DEVICE 	REMOTE DEVICE



-NOMENCLATURE-
M-LINE CONTACTOR
I-INDICATING LIGHT
FU-FUSE
X-INDICATES CONTACT CLOSED

FOR CSA-GND KIT
1/2-IN CONDUIT 55-213403G001
3/4-IN CONDUIT 55-213403G002

NOTE: REFER TO THE NATIONAL ELECTRICAL CODE.
ADDITIONAL CONTROL CIRCUIT OVERCURRENT
PROTECTION MAY BE REQUIRED.

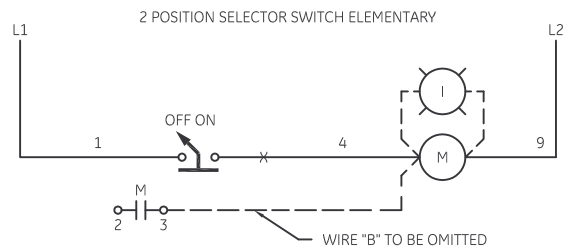
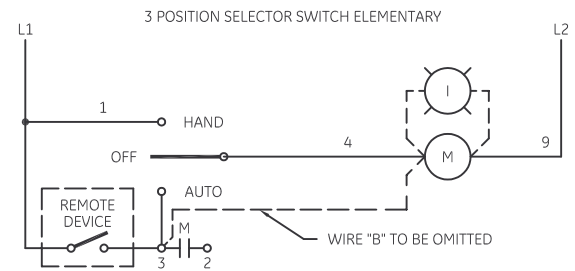
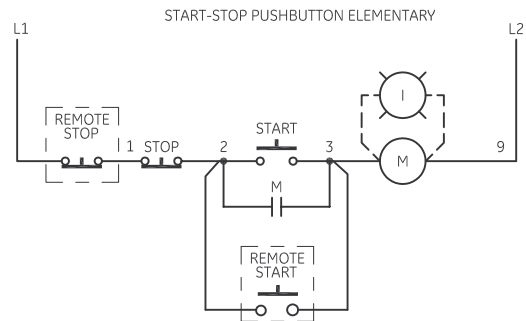
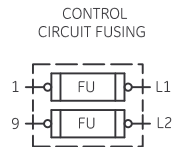
FOR 1-PHASE OPERATION-CHANGE CONNECTION
OF WIRE "A" FROM L2 TO L3. CONNECT
LINE TO L1 AND L3 AND LOAD TO T1
AND T3.

FOR CONTACTOR WITHOUT DISCONNECT MEANS - WIRE
LINE DIRECT TO L1, L2 AND L3 ON CONTACTOR.

FOR EXTRA AUXILIARY CONTACTS - A MAXIMUM OF 4
CONTACTS MAY BE ADDED AT POSITIONS
T,U,W,X,Y & Z FOR SIZE 0 & 1 ONLY.

FOR SEPERATE CONTROL SOURCE - CONNECT SOURCE
TO 9 ON COIL AND TO 1 ON PILOT DEVICE.

	LINE	LOAD
TORQUE LINE AND LOAD TERMINALS AS SHOWN AT RIGHT	CR305 20 LB-IN CR307 AS MARKED CR308 35 LB-IN CR387 AS MARKED	20 LB-IN 20 LB-IN 20 LB-IN 20 LB-IN



imagination at work

WIRING DIAGRAM
FVNR SIZE 00, 0 & 1

AN #	THIRD ANGLE PROJECTION	SHEET #
09-9107		1 OF 1

DWG NO.	DATE	REV
55-182229	08/03/2009	8