

-NOMENCLATURE-

M-LINE CONTACTOR
 I-INDICATING LIGHT
 FU-FUSE
 X-INDICATES CONTACT CLOSED

| NEMA SIZE | CONTACTOR LINE & LOAD | DISCONNECT SW LINE |
|-----------|-----------------------|--------------------|
| 2 * | 50 LB-IN | 50 LB-IN |
| 3 | 150 LB-IN | 50 LB-IN |
| 4 ** | 200 LB-IN | 275 LB-IN |
| 5 *** | 300 LB-IN | AS MARKED |
| 6 **** | 375 LB-IN | AS MARKED |

* INCLUDES CR3CL DEVICES
 ** INCLUDES CR3CM,N,P&R DEVICES
 *** INCLUDES CR3CS DEVICES
 **** INCLUDES CR3CT DEVICES

NOTE: REFER TO THE NATIONAL ELECTRICAL CODE. ADDITIONAL CONTROL CIRCUIT OVERCURRENT PROTECTION MAY BE REQUIRED.

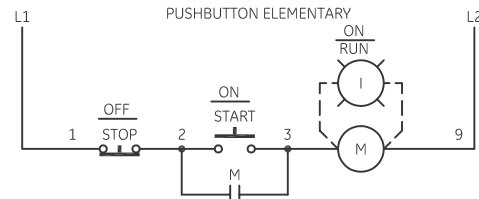
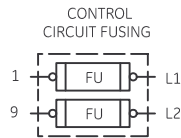
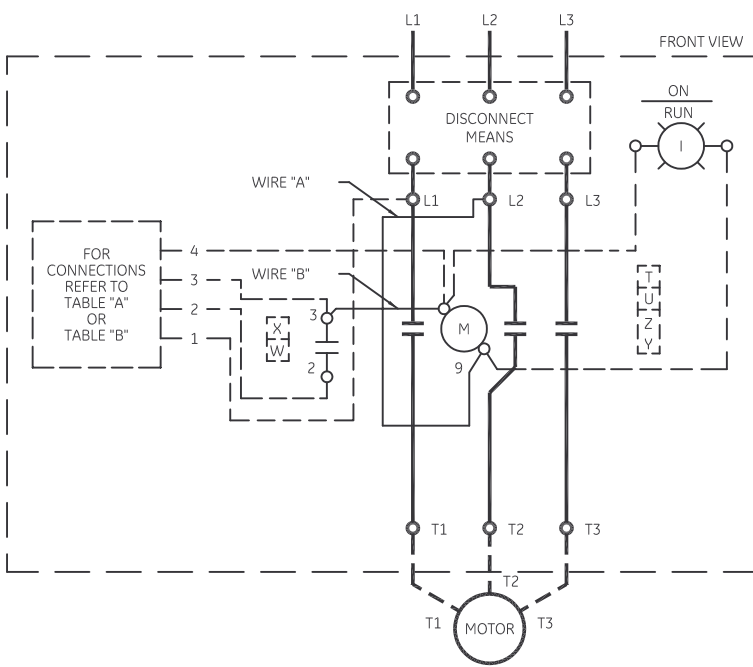
FOR 1-PHASE OPERATION-CHANGE CONNECTION OF WIRE "A" FROM L2 TO L3. CONNECT LINE TO L1 AND L3 AND LOAD TO T1 AND T3.

FOR CONTACTOR WITHOUT DISCONNECT MEANS - WIRE LINE DIRECT TO L1, L2 AND L3 ON CONTACTOR.

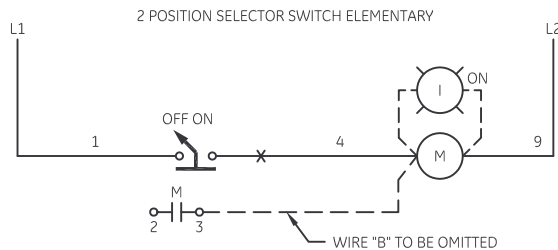
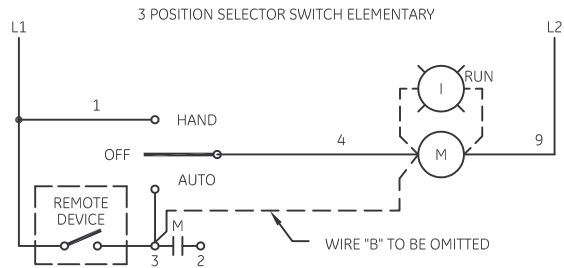
FOR EXTRA AUXILIARY CONTACTS - A MAXIMUM OF 5 CONTACTS MAY BE ADDED AT POSITIONS T,U,W,X,Y & Z.

FOR CSA-GND KIT

| | |
|------------------|---------------|
| 1/2-IN CONDUIT | 55-213403G001 |
| 3/4-IN CONDUIT | 55-213403G002 |
| 1-IN CONDUIT | 55-213403G003 |
| 1 1/4-IN CONDUIT | 55-213403G004 |
| 1 1/2-IN CONDUIT | 55-213403G005 |
| 2-IN CONDUIT | 55-213403G006 |
| 2 1/2-IN CONDUIT | 55-213403G007 |
| 3-IN CONDUIT | 55-213403G008 |



FOR SEPARATE CONTROL SOURCE- OMIT WIRE "A" AND CONNECT SEPARATE CONTROL SOURCE TO 9 ON COIL AND TO 1 ON PILOT DEVICE. WIRE A IS OMITTED AT FACTORY ON ALL CONTACTORS WITH A COIL VOLTAGE OF 120V OR LESS.



imagination at work

WIRING DIAGRAM
 FVNR SIZE 2, 3 & 4

| AN # | THIRD ANGLE PROJECTION | SHEET # |
|---------|------------------------|---------|
| 09-9107 | | 1 OF 1 |

| DWG NO. | DATE | REV |
|-----------|------------|-----|
| 55-182600 | 07/24/2009 | 10 |