

NOMENCLATURE

- OP-OPENING COIL
- CL-CLOSING COIL
- CR-CONTROL RELAY
- I-INDICATING LIGHT
- \*-WHEN ORDERED
- TB-TERMINAL BOARD
- PF-PRIMARY FUSE
- NTB-NEUTRAL TERMINAL BOARD
- PTT-PUSH TO TEST

FOR CSA-GND KIT

1/2-IN CONDUIT	55-213403G001
3/4-IN CONDUIT	55-213403G002
1-IN CONDUIT	55-213403G003
1 1/4-IN CONDUIT	55-213403G004
1 1/2-IN CONDUIT	55-213403G005
2-IN CONDUIT	55-213403G006
2 1/2-IN CONDUIT	55-213403G007

NOTE: REFER TO THE NATIONAL ELECTRICAL CODE. ADDITIONAL CONTROL CIRCUIT OVER-CURRENT PROTECTION MAY BE REQUIRED.

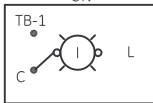
USE 75°C, COPPER CONDUCTORS ONLY FOR FIELD WIRING. TORQUE LINE AND LOAD TERMINALS AS SHOWN AT RIGHT:

RATING	LOAD LB-IN
30A	30
60A	50
75A	50
100A	50
150A	250
200A	250
225A	250

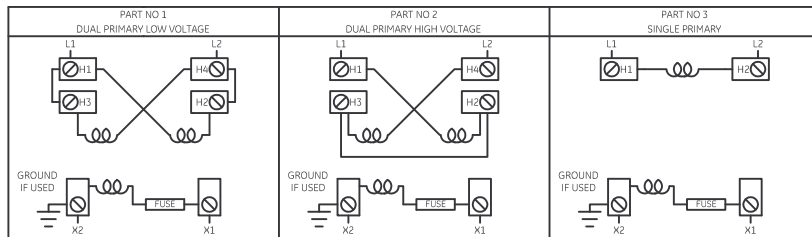
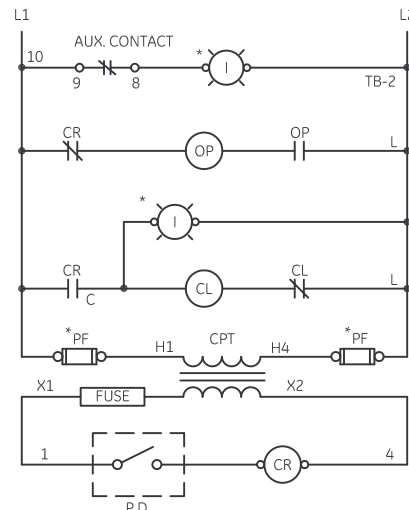
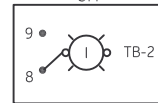
NOTE:

WIRE "B" MUST BE REMOVED FROM L2 AND RETURNED TO NEUTRAL FOR NON-STANDARD LINE TO NEUTRAL VOLTAGE CONNECTIONS.

PTT IND. LIGHT \*  
"ON"



PTT IND. LIGHT \*  
"OFF"



imagination at work

WIRING DIAGRAM  
CR160MC LIGHTING CONTACTOR

AN #	THIRD ANGLE PROJECTION	SHEET #
09-9114		1 OF 1

DWG NO.	DATE	REV
55-182689	08/26/2009	6