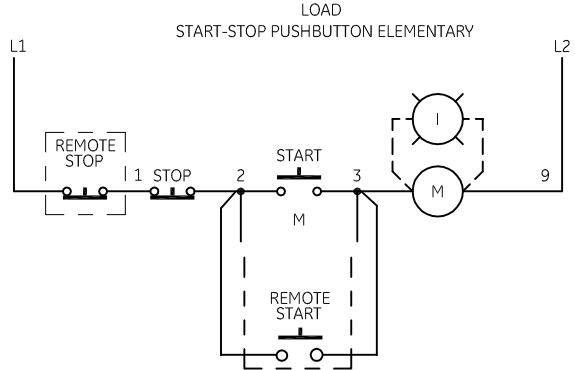
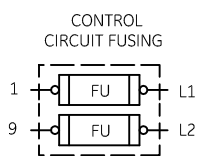
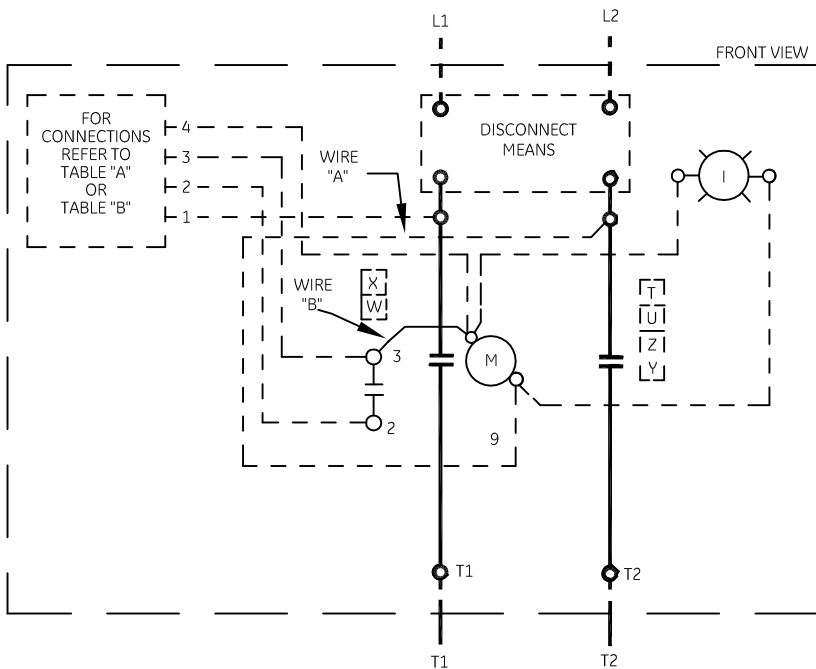


TABLE A STANDARD PILOT DEVICES	TABLE B OIL-TIGHT PILOT DEVICES
START-STOP 	START-STOP
PUSHBUTTONS OFF ON (OMIT WIRE "B")	PUSHBUTTONS OFF ON (OMIT WIRE "B")
2 POSITION SELECTOR SWITCH HAND OFF AUTO (OMIT WIRE "B")	2 POSITION SELECTOR SWITCH HAND OFF AUTO (OMIT WIRE "B")
REMOTE DEVICE 	REMOTE DEVICE
3 POSITION SELECTOR SWITCH 	3 POSITION SELECTOR SWITCH



-NOMENCLATURE-
M-LINE CONTACTOR
I-INDICATING LIGHT
FU-FUSE
X-INDICATES CONTACT CLOSED

USE 75°C COPPER CONDUCTORS ONLY, FOR FIELD WIRING. TORQUE LINE AND LOAD TERMINALS AS SHOWN AT RIGHT:

NEMA SIZE	CONTACTOR LINE & LOAD	DISCONNECT SW LINE
2 *	50 LB-IN	50 LB-IN
3	150 LB-IN	50 LB-IN
4 **	200 LB-IN	275 LB-IN
5 ***	300 LB-IN	AS MARKED
6 ****	375 LB-IN	AS MARKED

* INCLUDES CR3CL DEVICES
** INCLUDES CR3CM,N,P&R DEVICES
*** INCLUDES CR3CS DEVICES
**** INCLUDES CR3CT DEVICES

NOTE: REFER TO THE NATIONAL ELECTRICAL CODE. ADDITIONAL CONTROL CIRCUIT OVERCURRENT PROTECTION MAY BE REQUIRED.

FOR EXTRA AUXILIARY CONTACTS - A MAXIMUM OF 5 CONTACTS MAY BE ADDED AT POSITIONS T,U,W,X,Y & Z.

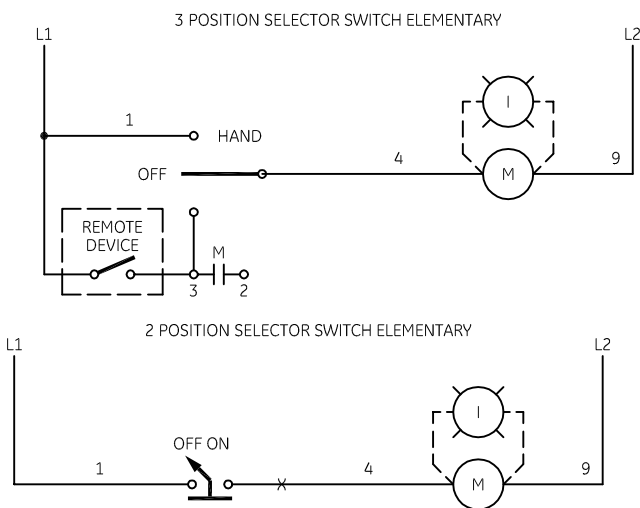
FOR CONTACTOR WITHOUT DISCONNECT MEANS - WIRE LINE DIRECT TO L1 AND L2 ON CONTACTOR.

FOR SEPERATE CONTROL SOURCE - OMIT WIRE "A" AND CONNECT SEPERATE CONTROL SOURCE TO 9 ON COIL AND TO 1 ON PILOT DEVICE. WIRE "A" IS OMITTED AT FACTORY ON ALL CONTRACTORS WITH A COIL VOLTAGE OF 120V OR LESS.

USE 75°C COPPER CONDUCTORS ONLY, FOR FIELD WIRING.

FOR CSA-GND KIT

1/2-IN CONDUIT	55-213403G001
3/4-IN CONDUIT	55-213403G002
1-1/2-IN CONDUIT	55-213403G005
2-IN CONDUIT	55-213403G006
3-IN CONDUIT	55-213403G008



WIRING DIAGRAM
FVNR SIZE 2, 3 & 4

AN #	THIRD ANGLE PROJECTION	SHEET #	DWG NO.	DATE	REV
09-9107		1 OF 1	55-188069	08/03/2009	7