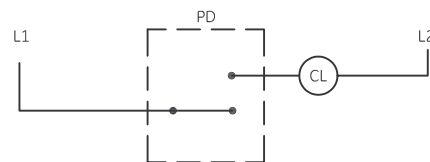
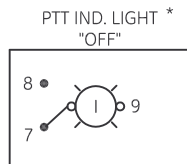
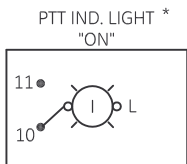
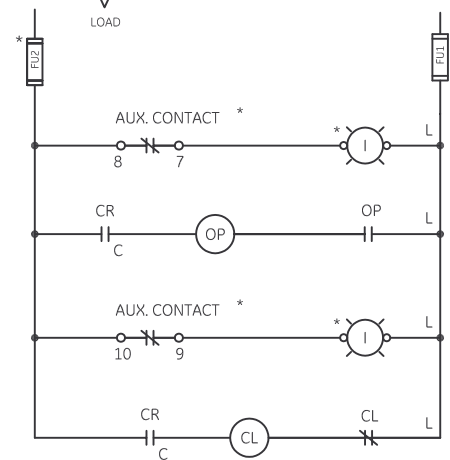


NOTE: ADDITIONAL OVER-CURRENT PROTECTION MAY BE REQUIRED. REFER TO THE NATIONAL ELECTRICAL CODE OR LOCAL ELECTRICAL CODE AS REQUIRED.

-NOMENCLATURE-
 CL - CLOSING COIL
 OP - OPENING COIL
 CR - CONTROL RELAY
 FU - FUSE
 * - WHEN ORDERED PTT-PUSH TO TEST

USE 75°C COPPER CONDUCTORS ONLY, FOR FIELD WIRING. TORQUE LINE AND LOAD TERMINALS AS MARKED OR AS SHOWN AT RIGHT:

RATING	LB-IN	FOR CSA-GND KIT	
30A	30	1/2-IN CONDUIT	55-213403G001
60A	50	3/4-IN CONDUIT	55-213403G002
75A	50	1-IN CONDUIT	55-213403G003
100A	50	1 1/4-IN CONDUIT	55-213403G004
150A	250	1 1/2-IN CONDUIT	55-213403G005
200A	250	2-IN CONDUIT	55-213403G006
225A	250	2 1/2-IN CONDUIT	55-213403G007



imagination at work

WIRING DIAGRAM
 CR160MC LIGHTING CONTACTOR

AN #	THIRD ANGLE PROJECTION	SHEET #	DWG NO.	DATE	REV
09-9114		1 OF 1	55-188293	08/26/2009	6