

FOR CSA-GND KIT
 1/2-IN CONDUIT 55-213403G001
 3/4-IN CONDUIT 55-213403G002
 1-IN CONDUIT 55-213403G003
 1 1/4-IN CONDUIT 55-213403G004
 1 1/2-IN CONDUIT 55-213403G005
 2-IN CONDUIT 55-213403G006
 2 1/2-IN CONDUIT 55-213403G007

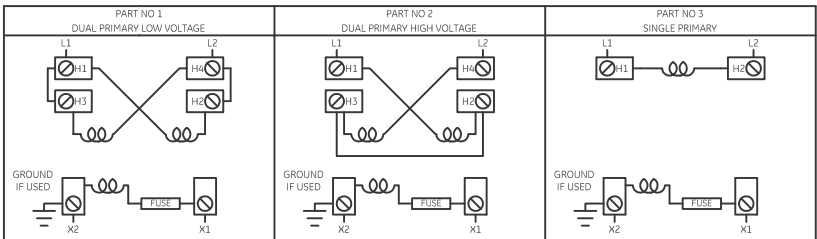
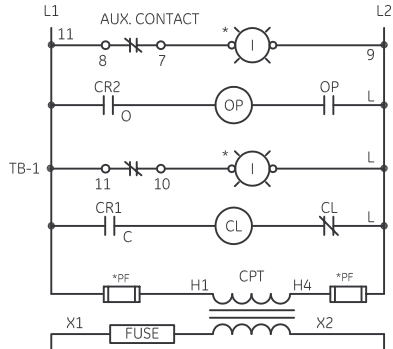
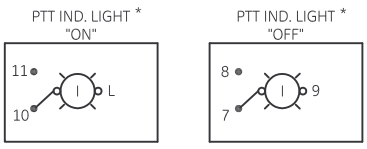
USE 75°C, COPPER CONDUCTORS ONLY FOR FIELD WIRING. TORQUE LINE AND LOAD TERMINALS AS SHOWN AT RIGHT:

RATING	LB-IN
30A	30
60A	50
75A	50
100A	50
150A	250
200A	250
225A	250

NOTE: REFER TO THE NATIONAL ELECTRICAL CODE. ADDITIONAL CONTROL CIRCUIT OVER-CURRENT PROTECTION MAY BE REQUIRED.

NOTE: WIRE "B" MUST BE REMOVED FROM L2 AND RETURNED TO NEUTRAL FOR NON-STANDARD LINE TO NEUTRAL VOLTAGE CONNECTIONS

NOMENCLATURE
 CL-CLOSING COIL
 CR1,CR2-CONTROL RELAYS
 I-INDICATING LIGHT
 OP-OPENING COIL
 PB-PUSH BUTTON
 PF-PRIMARY FUSE
 SS-SELECTOR SWITCH
 *-WHEN ORDERED
 PTT-PUSH TO TEST



WIRING DIAGRAM
 CR160MC LIGHTING CONTACTOR

AN #	THIRD ANGLE PROJECTION	SHEET #
09-9114		1 OF 1

DWG NO.	DATE	REV
55-188454	08/26/2009	5