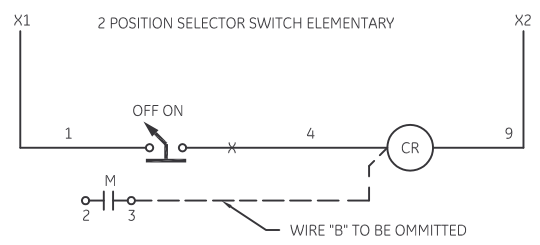
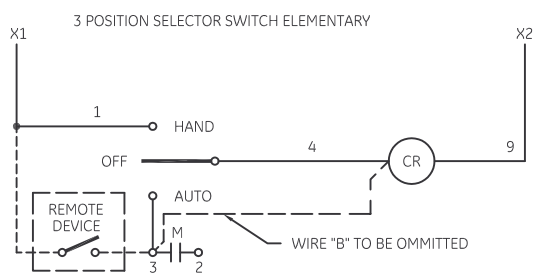
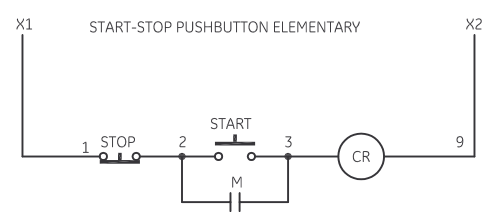
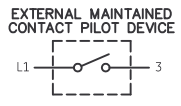
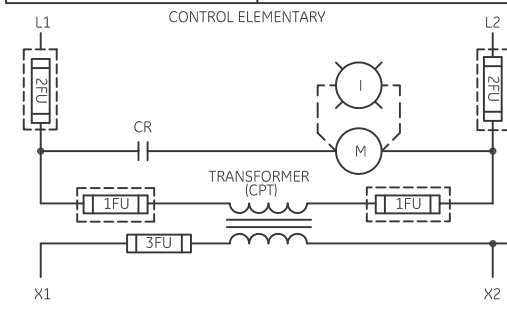
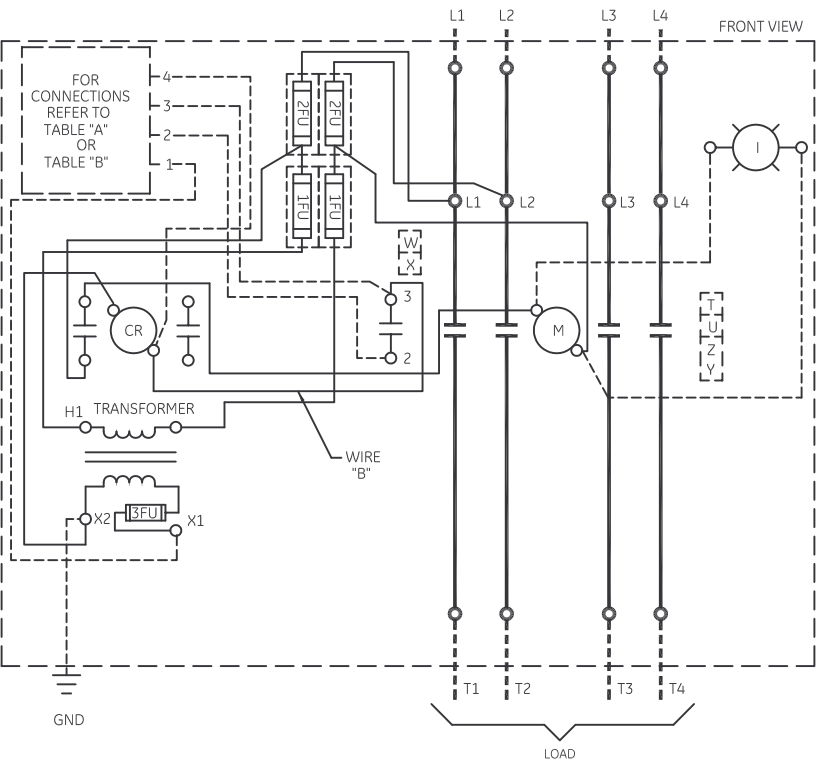


TABLE A STANDARD PILOT DEVICES	TABLE B OIL-TIGHT PILOT DEVICES
START-STOP 	START-STOP
PUSHBUTTONS OFF ON (OMIT WIRE "B")	PUSHBUTTONS OFF ON (OMIT WIRE "B")
2 POSITION SELECTOR SWITCH HAND OFF (OMIT WIRE "B")	2 POSITION SELECTOR SWITCH HAND OFF AUTO (OMIT WIRE "B")
REMOTE DEVICE 	REMOTE DEVICE



NOMENCLATURE
M-LINE CONTACTOR
I-INDICATING LIGHT
CR-CONTROL RELAY

ON-OFF-AUTO IS AN ALTERNATE MARKING FOR HAND-OFF-AUTO

USE 75°C COPPER CONDUCTORS ONLY, FOR FIELD WIRING. TORQUE LINE AND LOAD TERMINALS AS MARKED OR AS SHOWN AT RIGHT:	RATING	TORQUE
	200A	250 LB-IN
	300A	300 LB-IN

NOTE: ADDITIONAL OVER-CURRENT PROTECTION MAY BE REQUIRED. REFER TO THE NATIONAL ELECTRICAL CODE OR LOCAL ELECTRICAL CODE AS REQUIRED.

FOR EXTRA AUXILIARY CONTACTS - A MAXIMUM OF 5 CONTACTS MAY BE ADDED AT POSITIONS T,U,W,X,Y, & Z.

HOLDING INTERLOCK MAY BE OMITTED ON FORMS WITHOUT PUSHBUTTONS.

	GROUND KIT	
1/2-IN CONDUIT		55-213403G001
3/4-IN CONDUIT		55-213403G002
1-IN CONDUIT		55-213403G003
1 1/4-IN CONDUIT		55-213403G004
1 1/2-IN CONDUIT		55-213403G005
2-IN CONDUIT		55-213403G006
2 1/2-IN CONDUIT		55-213403G007
3-IN CONDUIT		55-213403G008



**WIRING DIAGRAM
CR360L LIGHTING CONTACTOR**

AN #	THIRD ANGLE PROJECTION	SHEET #
09-9114		1 OF 1

DWG NO.	DATE	REV
55-196622	08/27/2009	6