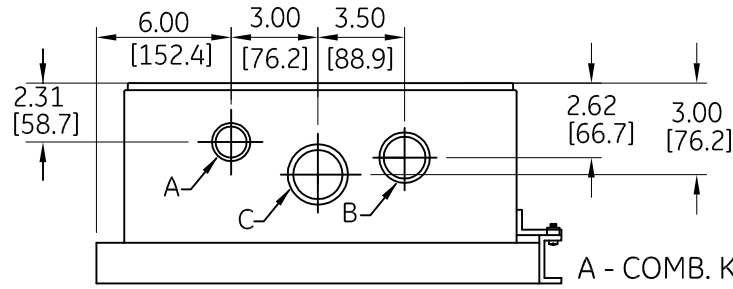
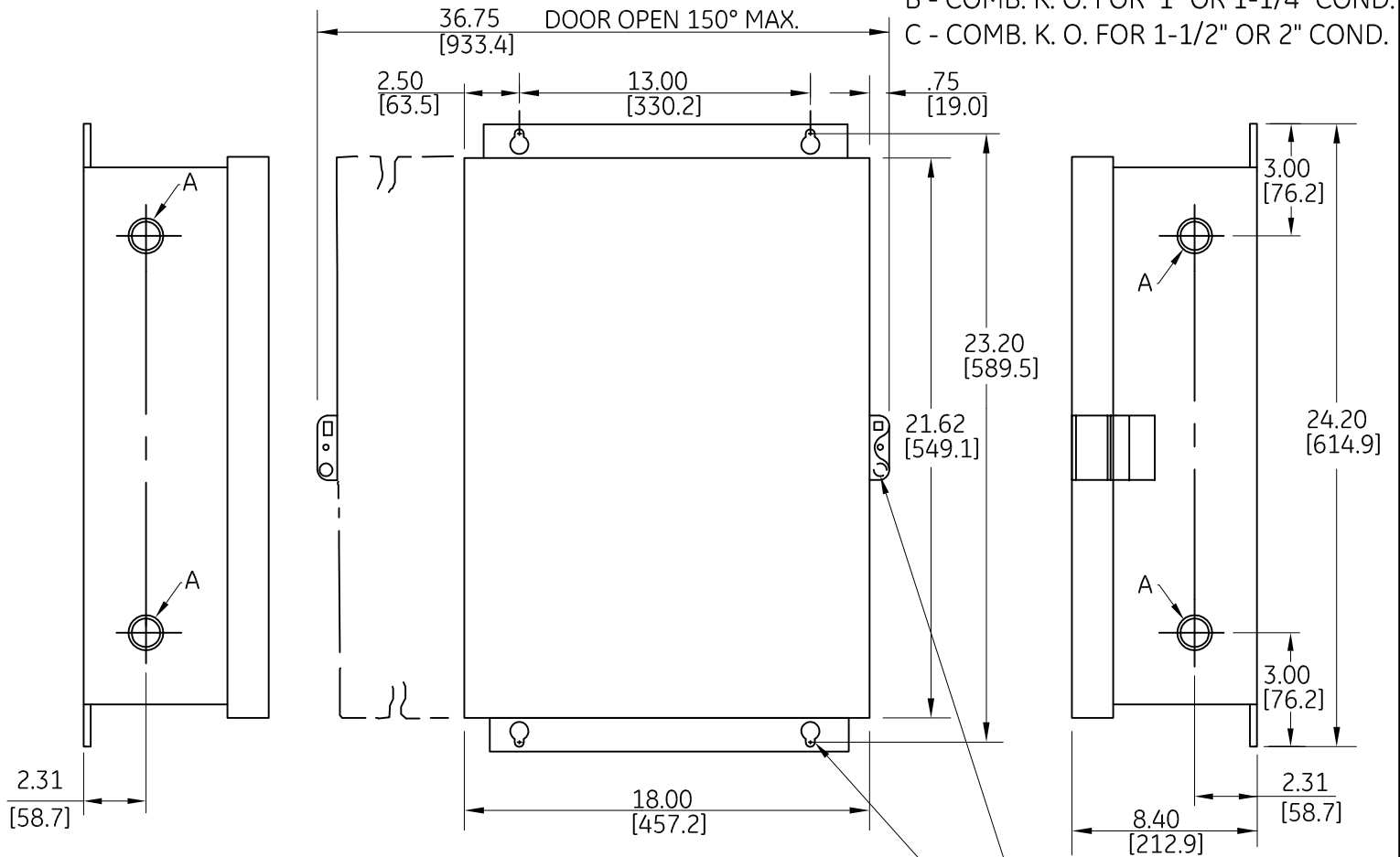


DUAL DIMENSIONS INCHES (ESTIMATING ONLY)
[MILLIMETERS]

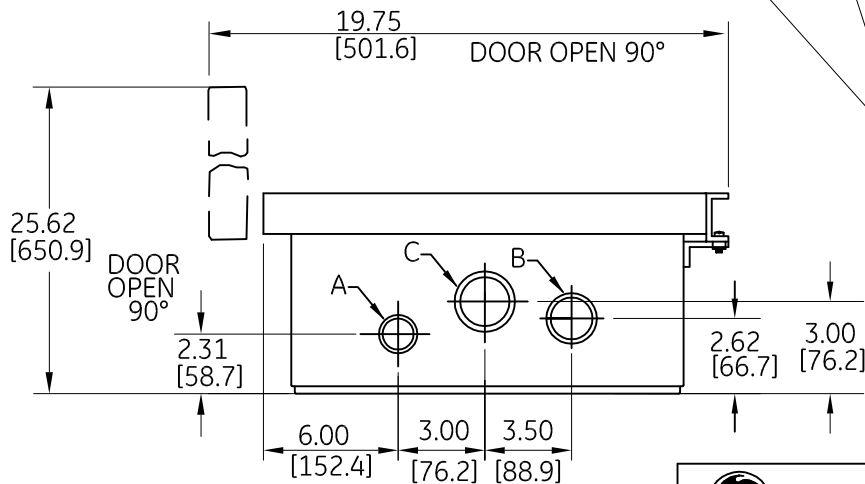


A - COMB. K. O. FOR 1/2" OR 3/4" COND.
B - COMB. K. O. FOR 1" OR 1-1/4" COND.
C - COMB. K. O. FOR 1-1/2" OR 2" COND.



0.50 DIA HOLE FOR PADLOCK [12.7]

4 MTG. HOLES FOR 0.38 BOLTS. [9.7]



imagination at work

OUTLINE
TYPE 1 ENCLOSED

AN #	THIRD ANGLE PROJECTION	SHEET #
09-9107		1 OF 1

DWG NO.	DATE	REV
55-200208	07/22/2009	2