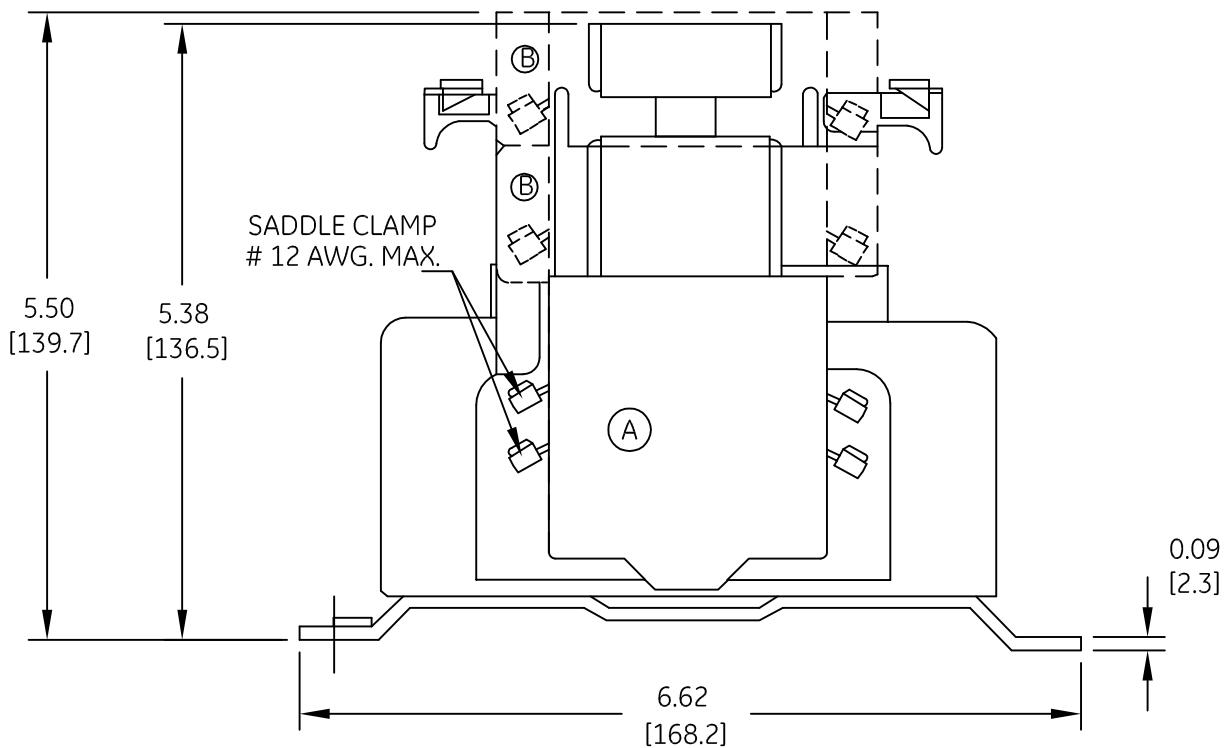
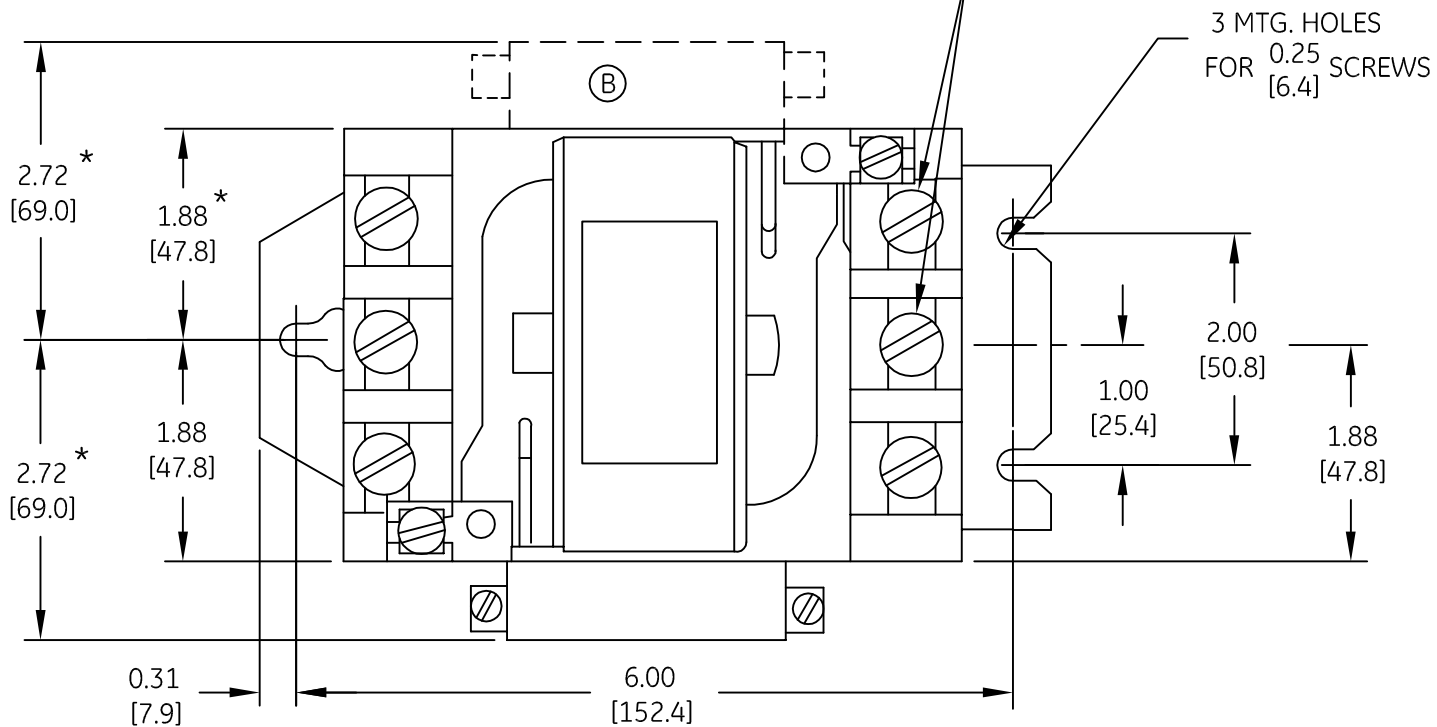


DUAL DIMENSIONS INCHES (ESTIMATING ONLY)
[MILLIMETERS]

POWER TERMINALS
4 AWG. MAX.
14 AWG. MIN.



- (A) - AUXILIARY CONTACT
- (B) - EXTRA AUX. CONTACT (IF USED)

* - ADD 0.50 [12.7] FOR ELECTRICAL CLEARANCE



imagination at work

OUTLINE
CR305D CONTACTOR OPEN

AN #	THIRD ANGLE PROJECTION	SHEET #
09-9107		1 OF 1

DWG NO.	DATE	REV
55-204300	07/31/2009	2