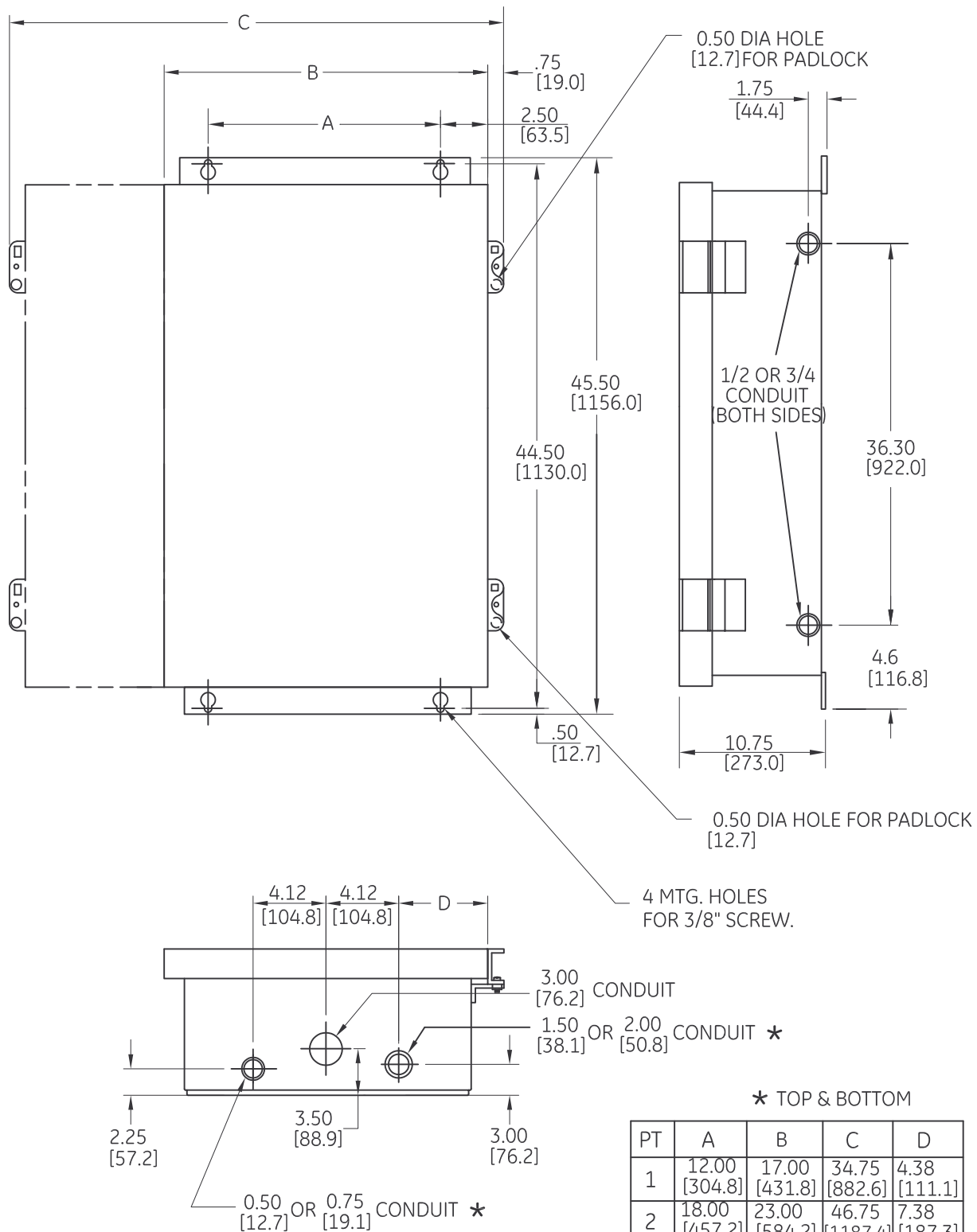


DUAL DIMENSIONS INCHES [MILLIMETERS] (ESTIMATING ONLY)



imagination at work

OUTLINE  
TYPE 1 ENCLOSED

AN #	THIRD ANGLE PROJECTION	SHEET #
09-9107		1 OF 1

DWG NO.	DATE	REV
55-209746	07/23/2009	4