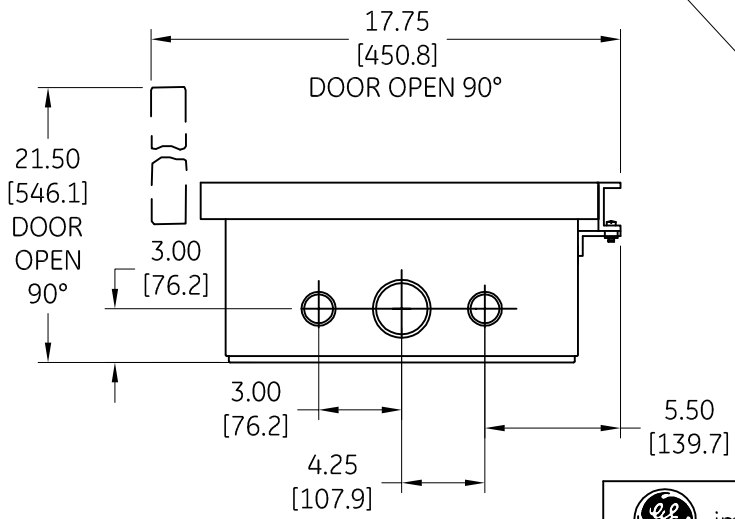
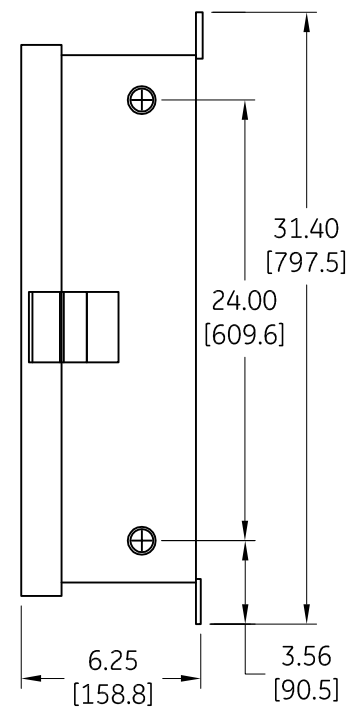
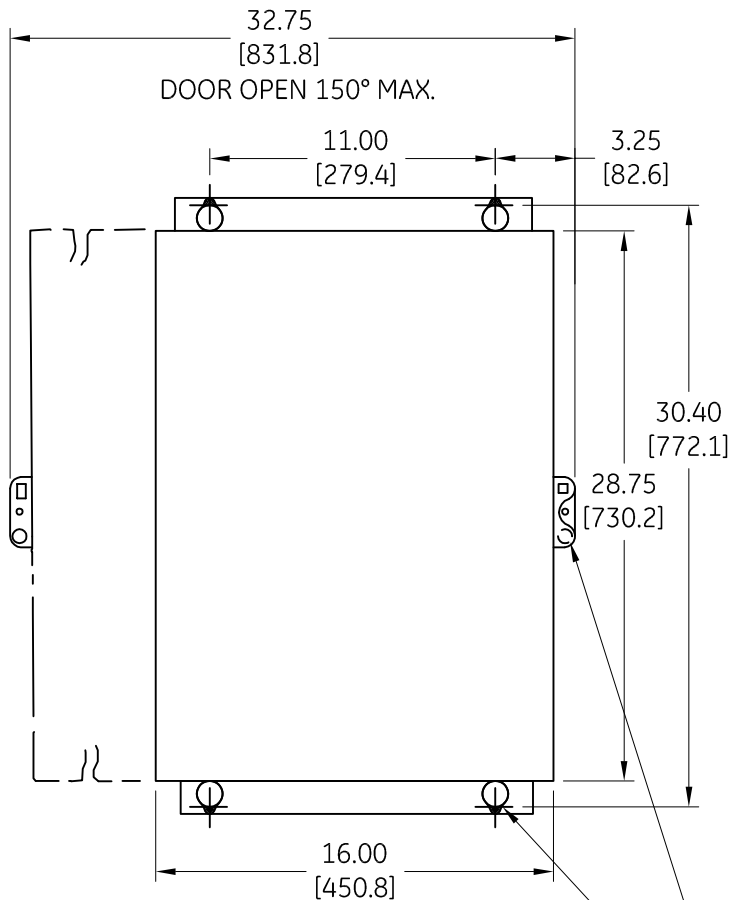
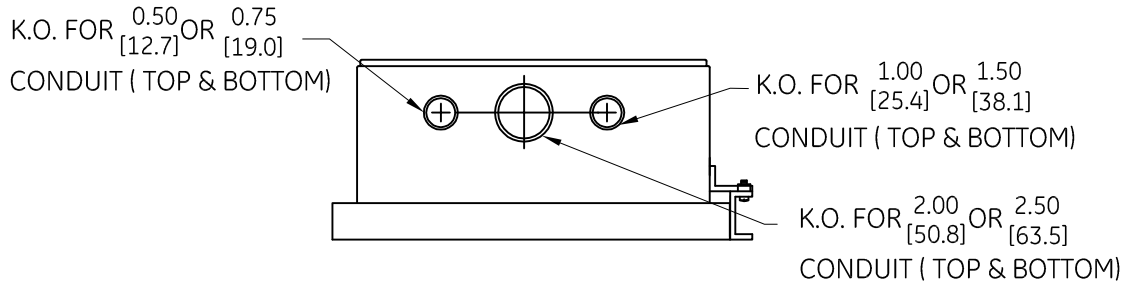



DUAL DIMENSIONS INCHES (ESTIMATING ONLY)  
[MILLIMETERS]

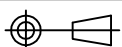


0.50 DIA HOLE FOR PADLOCK [12.7]  
4 MTG. HOLES FOR 3/8" BOLTS.

 imagination at work

OUTLINE-CR160MC  
LIGHTING CONTACTOR TYPE 1 ENCLOSED

DWG NO.	DATE	REV
55-213199	07/27/2009	2

AN #	THIRD ANGLE PROJECTION	SHEET #
09-9114		1 OF 1