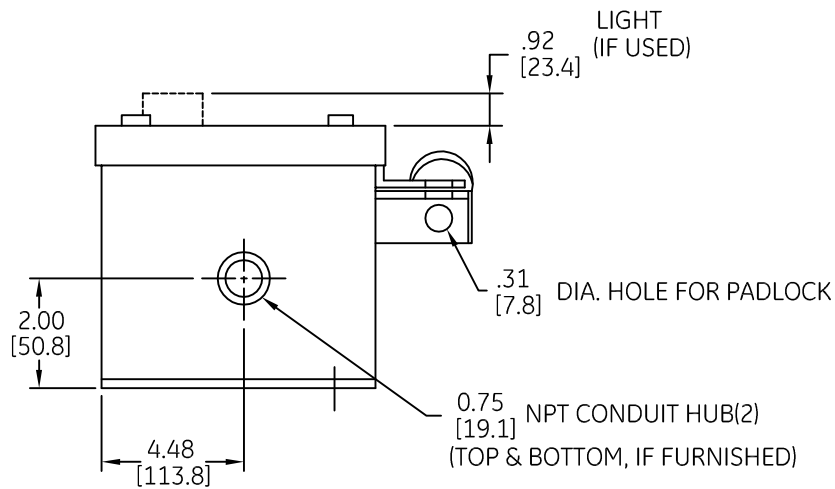
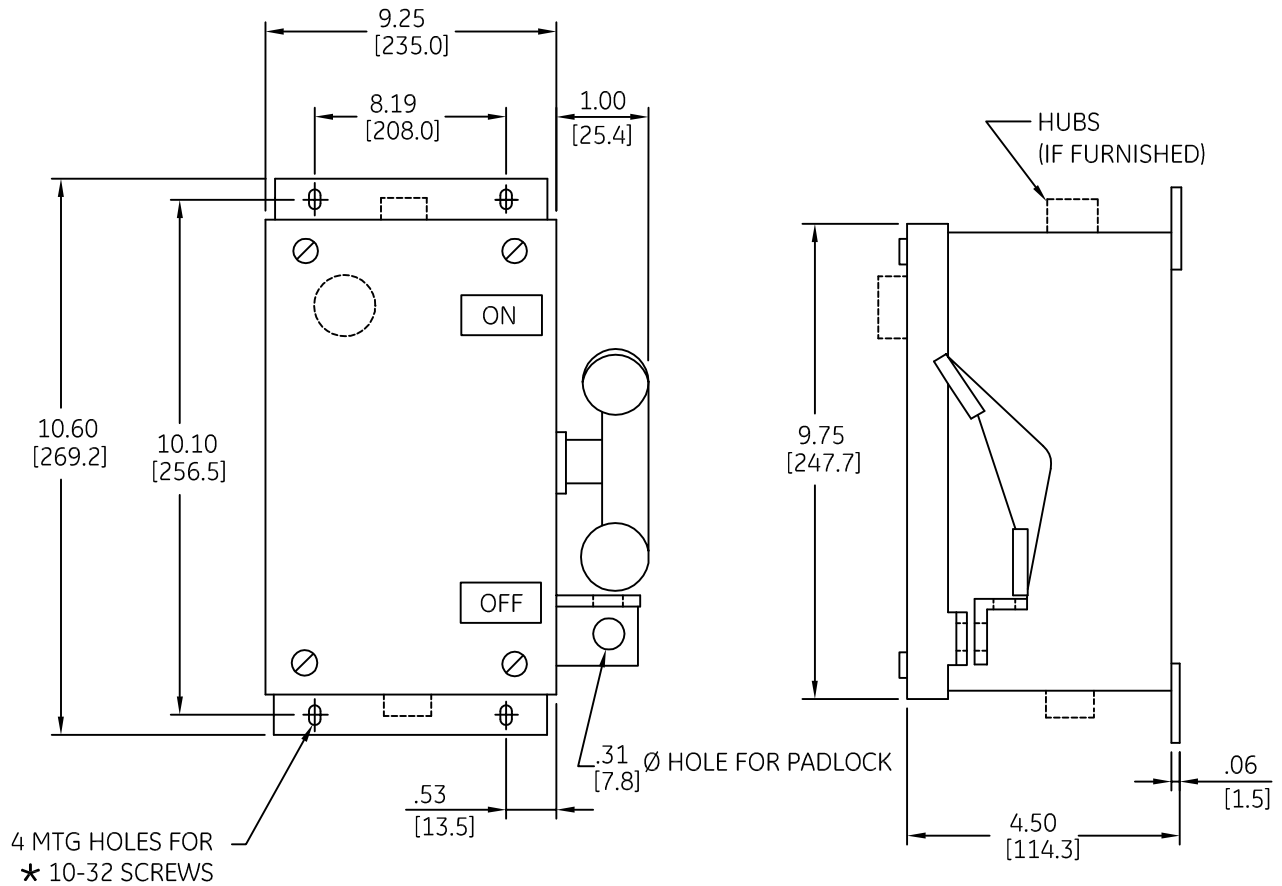


DUAL DIMENSIONS INCHES [MILLIMETERS] (ESTIMATING ONLY)



imagination at work

OUTLINE
TYPE 3 / 12 / 13 / 4 / 4X ENCLOSED

AN #	THIRD ANGLE PROJECTION	SHEET #
09-9107		1 OF 1

DWG NO.	DATE	REV
55-213487	08/11/2009	1