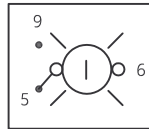


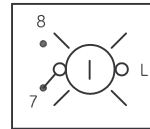
NOMENCLATURE

- CL - CLOSING COIL
 - F1,F2- OPTIONAL FUSING
 - I- INDICATING LIGHTS
 - OP - OPENING COIL
 - PB - PUSHBUTTON
 - SS - SELECTOR SWITCH
 - * - IF ORDERED
 - PTT - PUSH TO TEST
- DEVICE IS SHOWN LATCHED IN THE OPEN POSITION.

PTT "OFF" *
INDICATING LIGHT



PTT "ON" *
INDICATING LIGHT

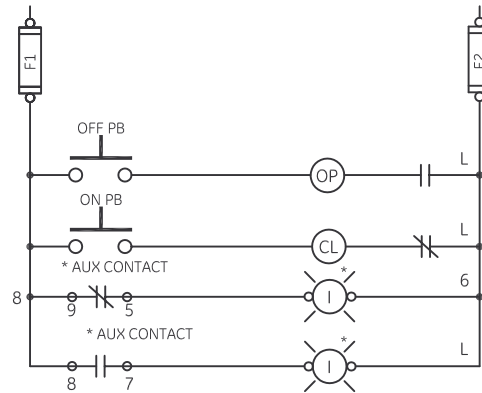


USE 75°C COPPER CONDUCTORS ONLY, FOR FIELD WIRING, TORQUE LINE AND LOAD TERMINALS AS SHOWN AT RIGHT:

RATING	LB-IN
30A	30
60A	50
75A	50
100A	50
150A	250
200A	250
225A	250

FOR CSA-GND KIT

1/2-IN CONDUIT	55-213403G001
3/4-IN CONDUIT	55-213403G002
1-IN CONDUIT	55-213403G003
1 1/4-IN CONDUIT	55-213403G004
1 1/2-IN CONDUIT	55-213403G005
2-IN CONDUIT	55-213403G004
2 1/2-IN CONDUIT	55-213403G005



NOTE: ADDITIONAL OVER-CURRENT PROTECTION MAY BE REQUIRED. REFER TO THE NATIONAL ELECTRICAL CODE OR LOCAL ELECTRICAL CODE AS REQUIRED.



imagination at work

WIRING DIAGRAM
CR160MC LIGHTING CONTACTOR

AN #	THIRD ANGLE PROJECTION	SHEET #
09-9107		1 OF 1

DWG NO.	DATE	REV
55-216202	07/24/2009	1