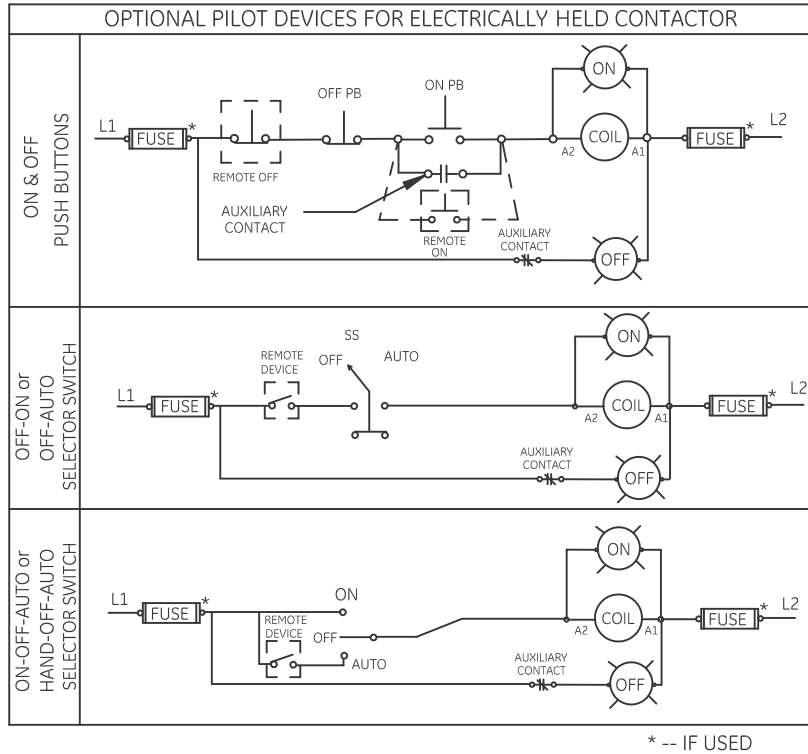
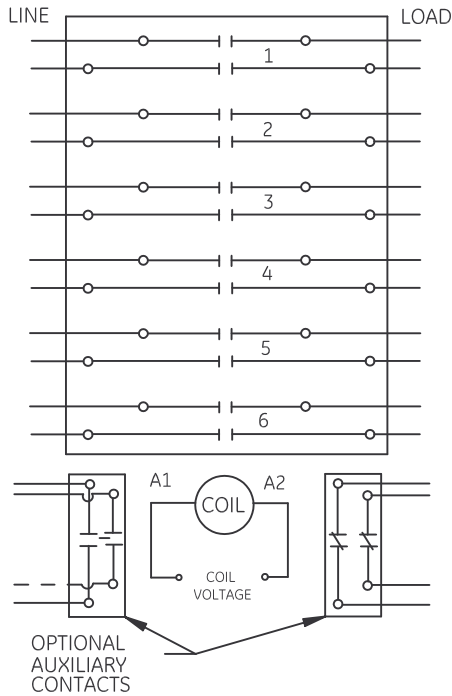


CONTACTS IN POSITIONS 1 THROUGH 4
CAN BE USED AS EITHER N/O OR N/C.
CONTACTS IN POSITIONS 5 THROUGH 6
CAN BE USED ONLY AS N/O.

MAIN CONTACTS ARE SHOWN IN OPEN POSITION
LINE AND LOAD TERMINALS ARE REVERSIBLE.



CR463L ELECTRICALLY HELD CONTACTOR WIRING OPTIONS

NOTE: REFER TO THE NATIONAL ELECTRIC CODE
OR LOCAL ELECTRIC CODE AS REQUIRED.

ADDITIONAL OVER CURRENT PROTECTION FOR
CONTROL CIRCUIT MAY BE REQUIRED.

WHEN COIL AND LINE VOLTAGES ARE SAME,THE
CONTROL VOLTAGE MAY BE DERIVED FROM THE
LINE FOR SUPPLY.

USE 75° C COPPER CONDUCTORS ONLY FORFIELD WIRING.

TORQUE LINE AND LOAD TERMINALS TO 35 LB.IN

POWER TERMINALS : #14-#8AWG (#8 STRANDED ONLY) COPPER,SINGLE
OR PARALLEL CONDUCTORS OF ANY COMBINATION
COIL AND MODULE TERMINALS : #18-#14AWG COPPER,SINGLE OR PARALLEL
CONDUCTORS OF ANY COMBINATION.
AUXILIARY CONTACT TERMINALS : #22-#12AWG COPPER,SINGLE OR PARALLEL
CONDUCTORS OF ANY COMBINATION.

FOR CSA-GND KIT

1/2-IN CONDUIT 55-213403G001	3/4-IN CONDUIT 55-213403G002
1-IN CONDUIT 55-213403G003	1 1/4-IN CONDUIT 55-213403G004
1 1/2-IN CONDUIT 55-213403G005	2-IN CONDUIT 55-213403G006
2 1/2-IN COMDUIT 55-213403G007	3-IN COMDUIT 55-213403G008



imagination at work

WIRING DIAGRAM
CR463L LIGHTING CONTACTOR

AN #	THIRD ANGLE PROJECTION	SHEET #
09-9107		1 OF 1

DWG NO.	DATE	REV
55-216845	07/13/2009	4