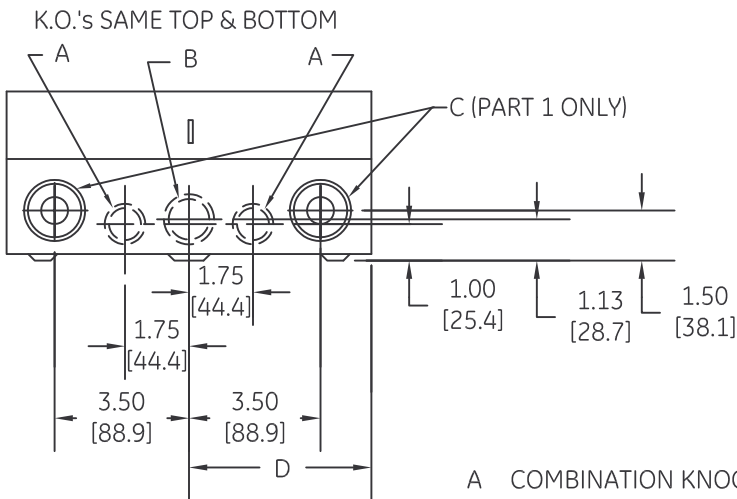
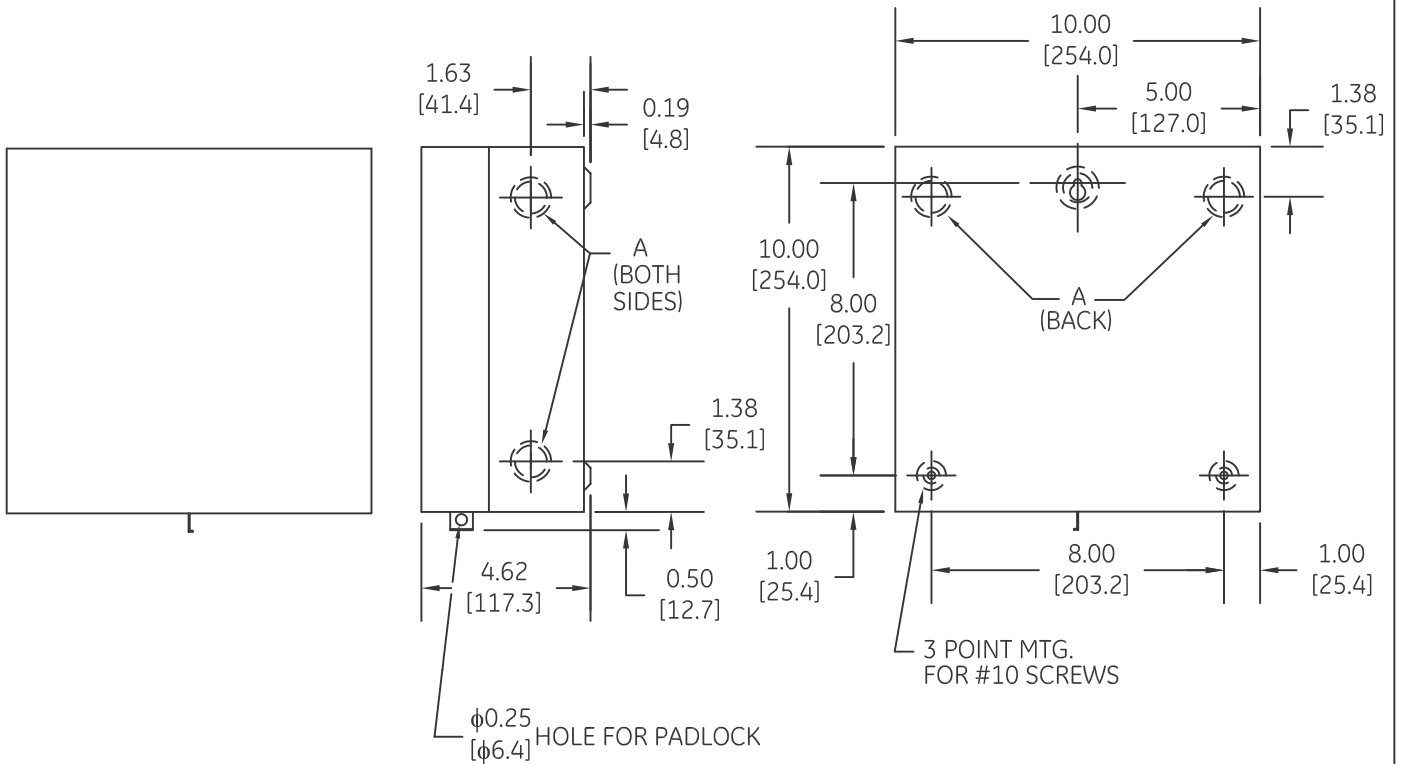


DUAL DIMENSIONS INCHES (ESTIMATING ONLY)  
[MILLIMETERS]



- A COMBINATION KNOCKOUT FOR 1/2 or 3/4-INCH CONDUIT
- B COMBINATION KNOCKOUT FOR 3/4 or 1-INCH CONDUIT
- C COMBINATION KNOCKOUT FOR 1/2, 1 1/4 OR 1 1/2 INCH CONDUIT



imagination at work

OUTLINE  
LIGHTING CONTACTOR TYPE 1 ENCLOSED

AN #	THIRD ANGLE PROJECTION	SHEET #
09-9114		1 OF 1

DWG NO.	DATE	REV
55-217069	09/01/2009	2