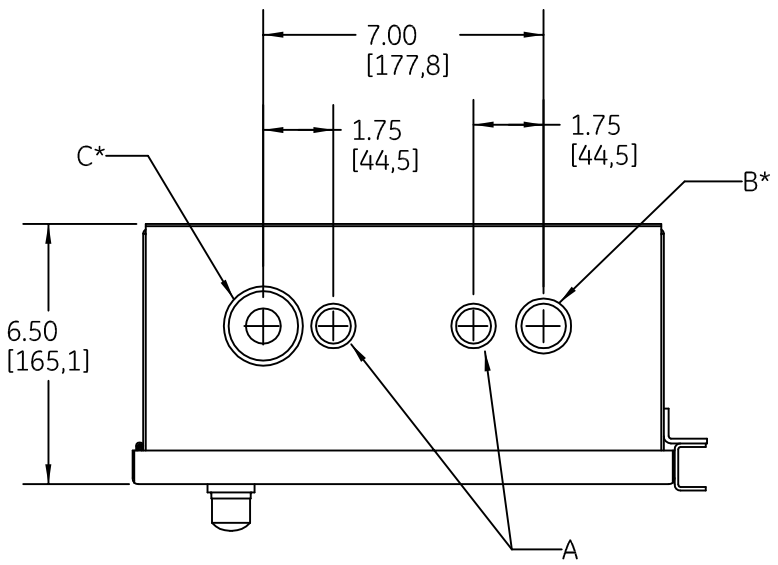
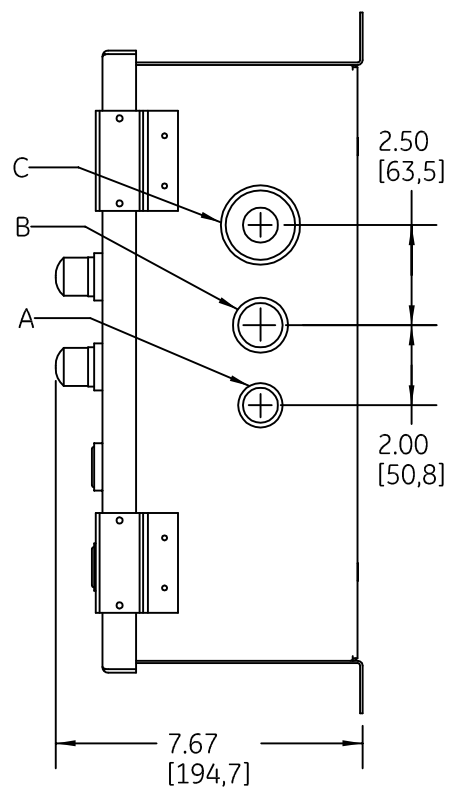
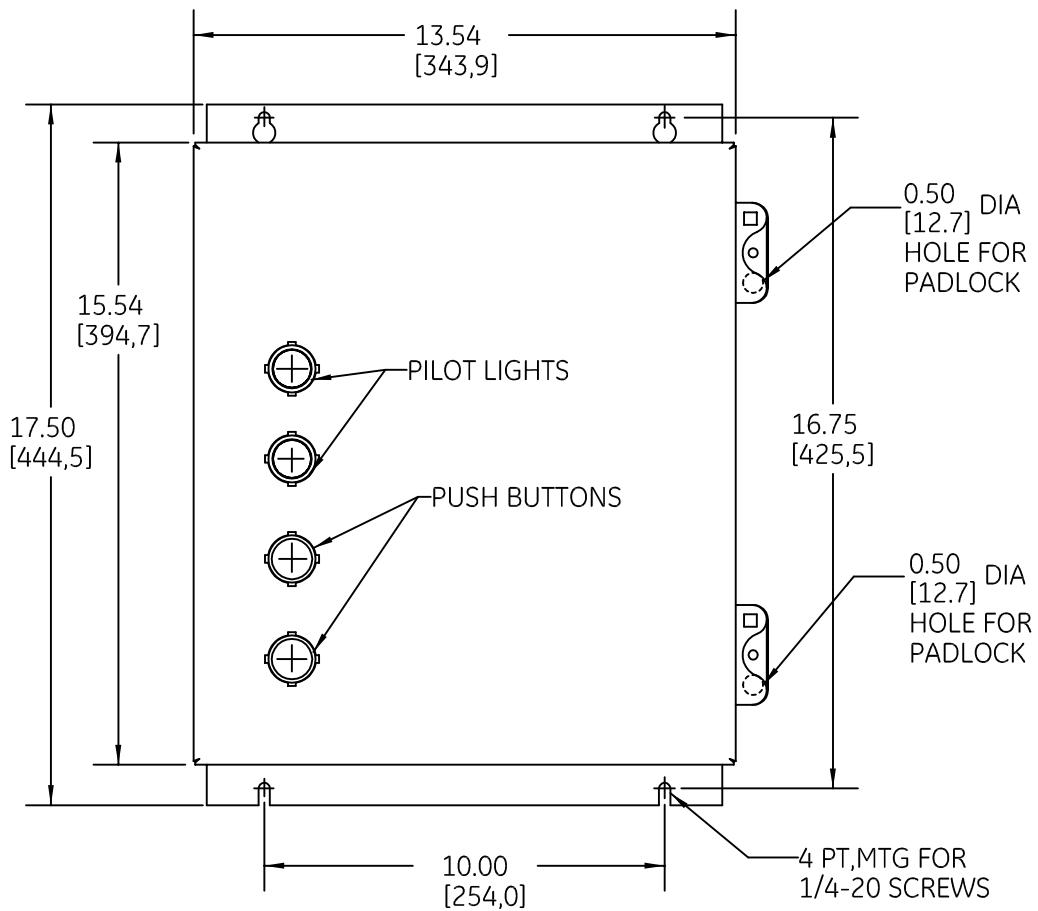



DUAL DIMENSIONS INCHES [MILLIMETERS] (ESTIMATING ONLY)



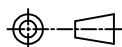
A-COMBINATION KNOCKOUT FOR 1/2 OR 3/4 INCH CONDUIT.  
 B-COMBINATION KNOCKOUT FOR 3/4 OR 1 INCH CONDUIT.  
 C-COMBINATION KNOCKOUT FOR 1/2,1-1/4 OR 1-1/2 INCH CONDUIT.

\* NOTE:KNOCKOUTS REVERSED ON BOTTOM



 imagination at work

OUTLINE-CR463L,M  
 LIGHTING CONTACTOR TYPE 1 ENCLOSED

AN #	THIRD ANGLE PROJECTION	SHEET #
09-9107		1 OF 1

DWG NO.	DATE	REV
55-217105	07/13/2009	2