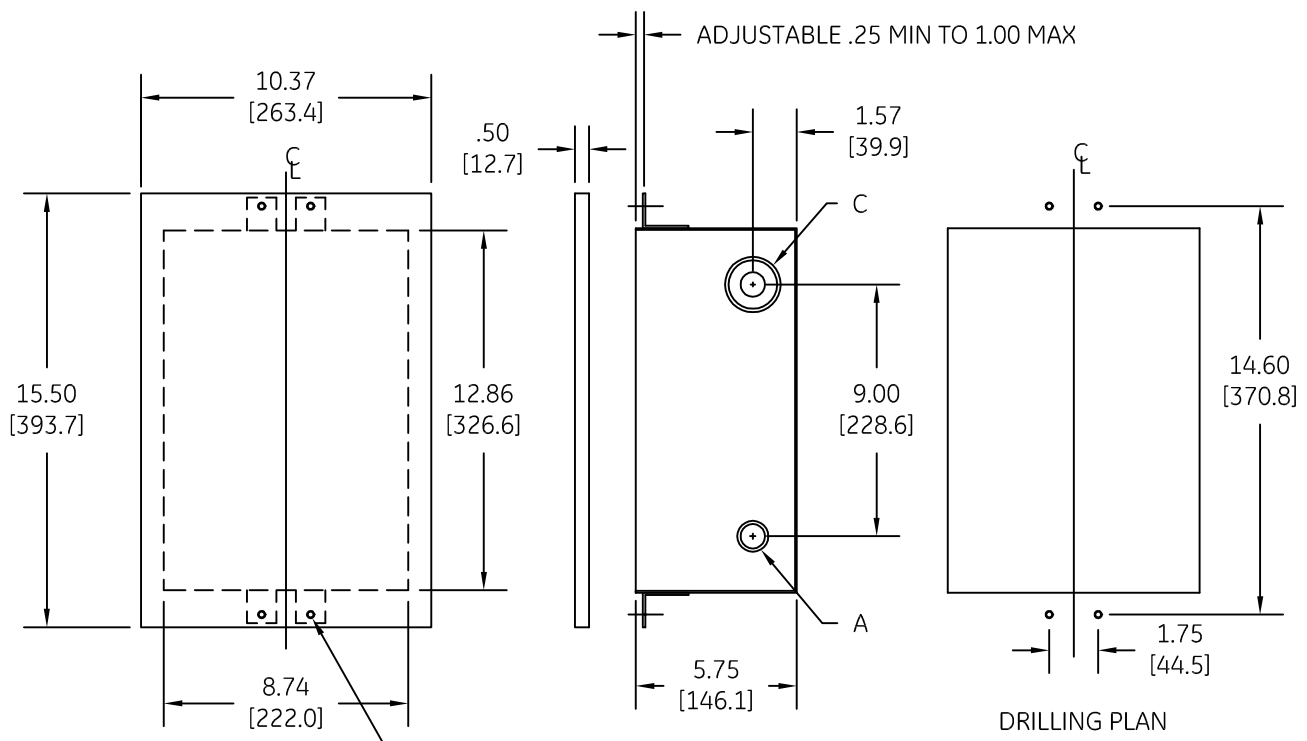
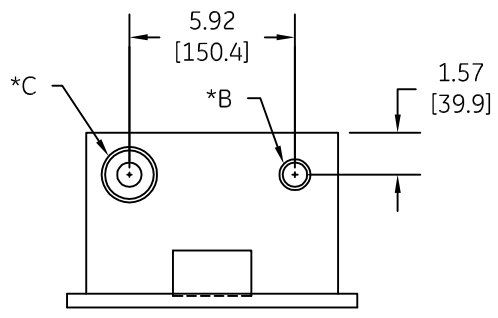



DUAL DIMENSIONS INCHES [MILLIMETERS] (ESTIMATING ONLY)

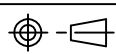


4 POINT MOUNTING FOR #10-32 SCREWS

- A COMBINATION KNOCKOUT FOR 0.5 OR 0.75 CONDUIT
[12.7] [19.0]
- B COMBINATION KNOCKOUT FOR 0.75 OR 1.00 CONDUIT
[19.0] [25.4]
- C COMBINATION KNOCKOUT FOR 0.5 1.25 OR 1.50 CONDUIT
[12.7] [31.7] [38.1]

* NOTE : KNOCKOUTS REVERSED ON BOTTOM

 imagination at work			
OUTLINE-CR463L,M LIGHTING CONTACTOR TYPE 1 FLUSH ENCLOSED			
DWG NO.	DATE	REV	
55-217108	07/13/2009	2	

AN #	THIRD ANGLE PROJECTION	SHEET #
09-9107		1 OF 1