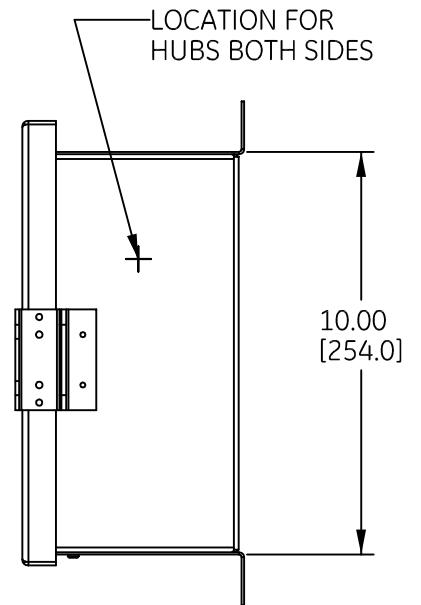
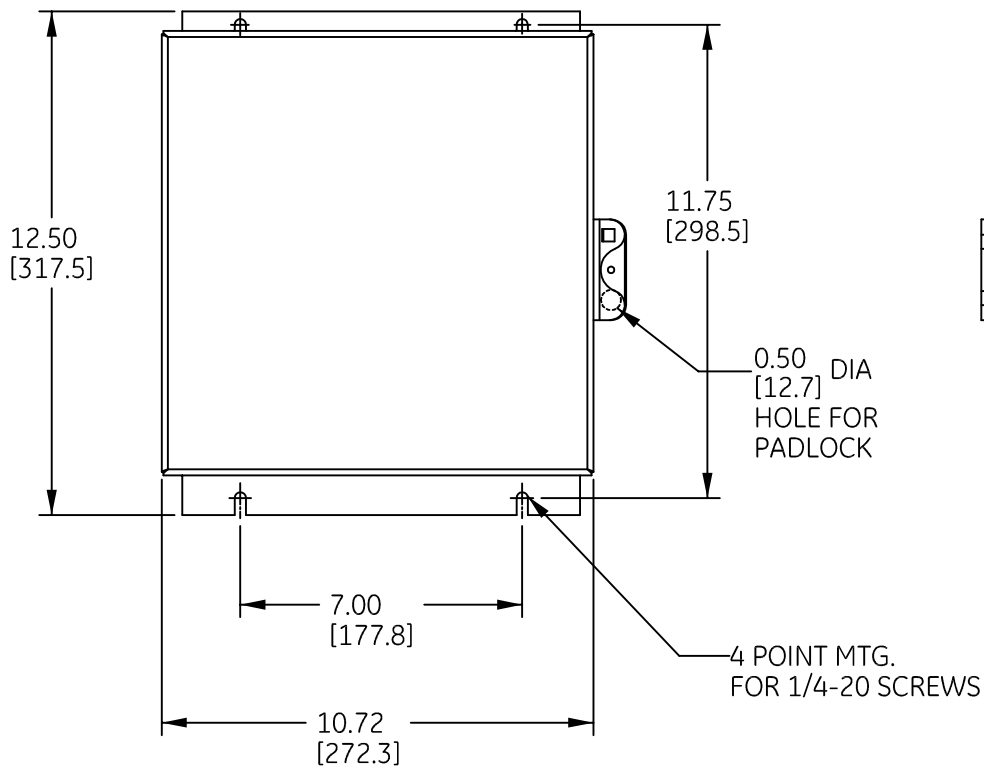
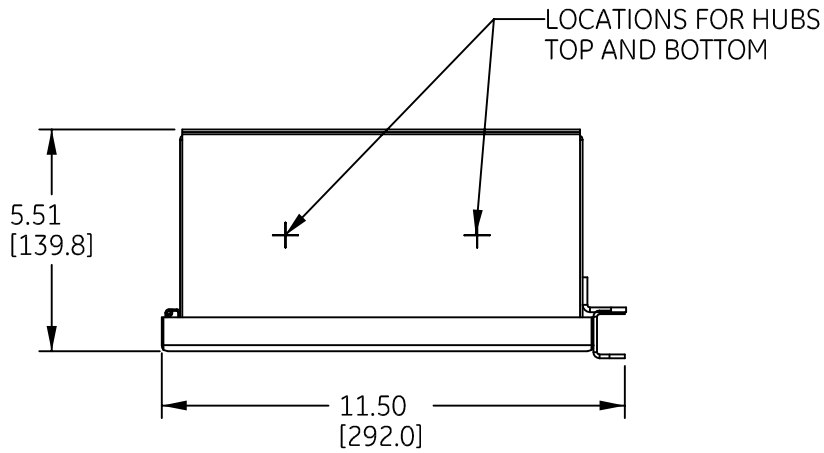


DUAL DIMENSIONS INCHES (ESTIMATING ONLY)  
[MILLIMETERS]



OUTLINE - CR463L, M  
LIGHTING CONTACTOR TYPE 12/3R ENCLOSED

AN #	THIRD ANGLE PROJECTION	SHEET #
09-9114		1 OF 1

DWG NO.	DATE	REV
55-217109	09/24/2009	2