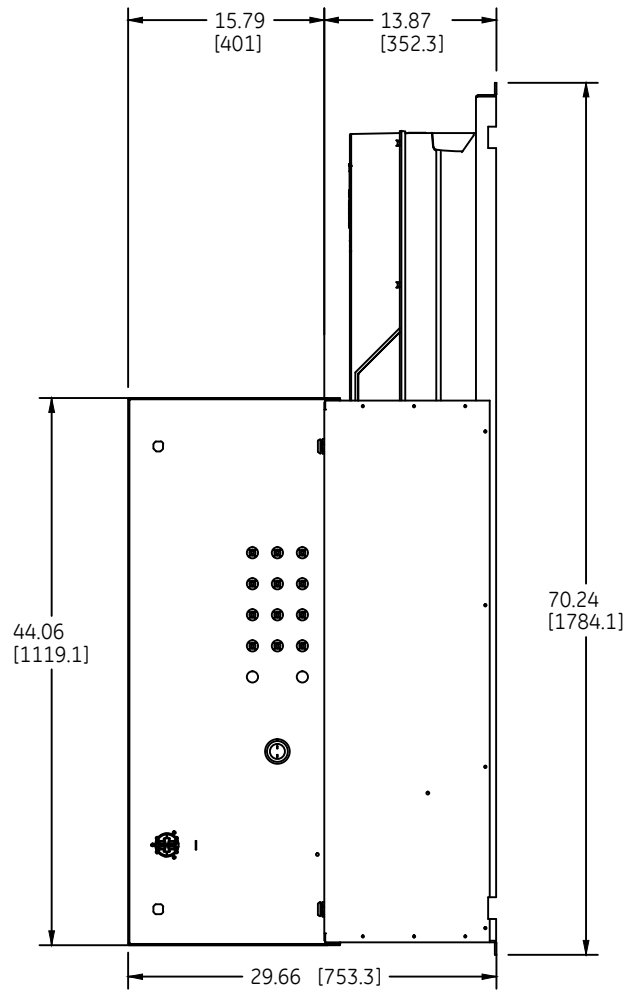
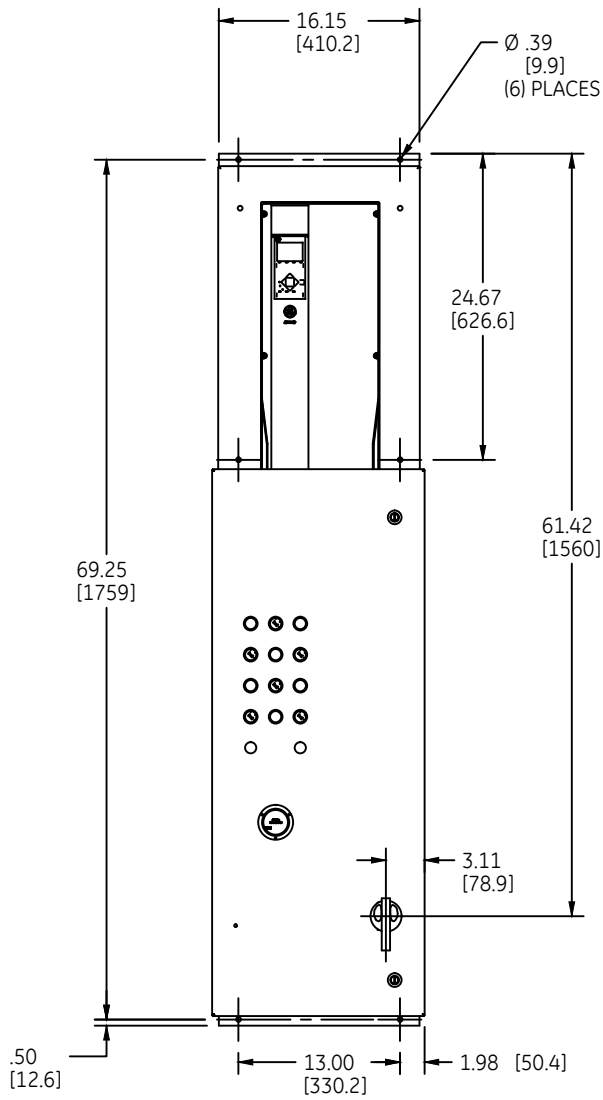
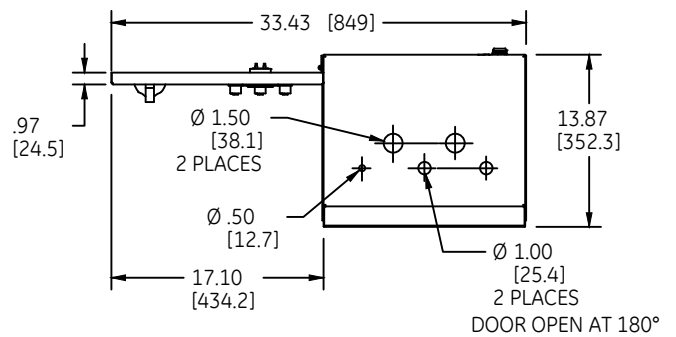
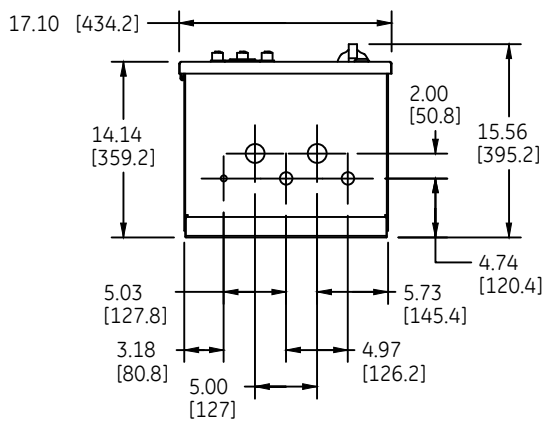


DUAL DIMENSIONS INCHES (ESTIMATING ONLY)
(MILLIMETERS)



DOOR OPEN AT 90°



DOOR OPEN AT 180°

WEIGHT: 327.40 LBS [148.51 KG]
7.5-20HP@208V, 15-40HP@460V & 15-40HP@575V



OUTLINE - ENCLOSED DRIVES
AF 600 FP TYPE-1

AN #	THIRD ANGLE PROJECTION	SHEET #
12-1025		1 OF 1

DWG NO.	DATE	REV
55-217672	07/15/09	5