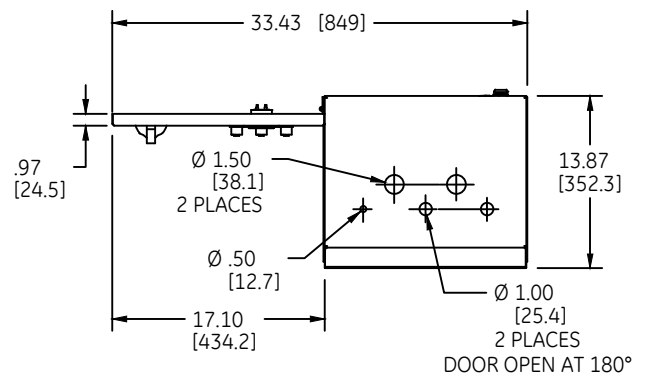
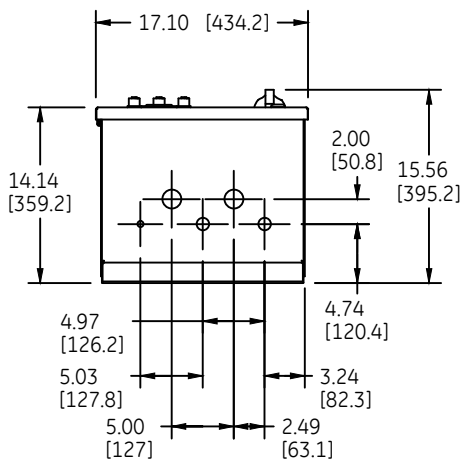
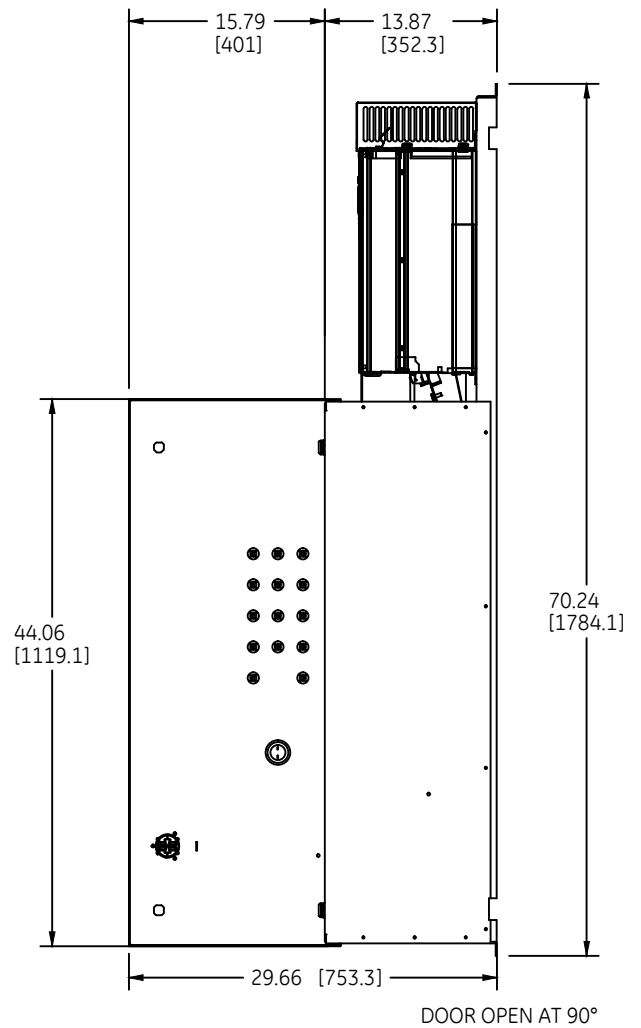
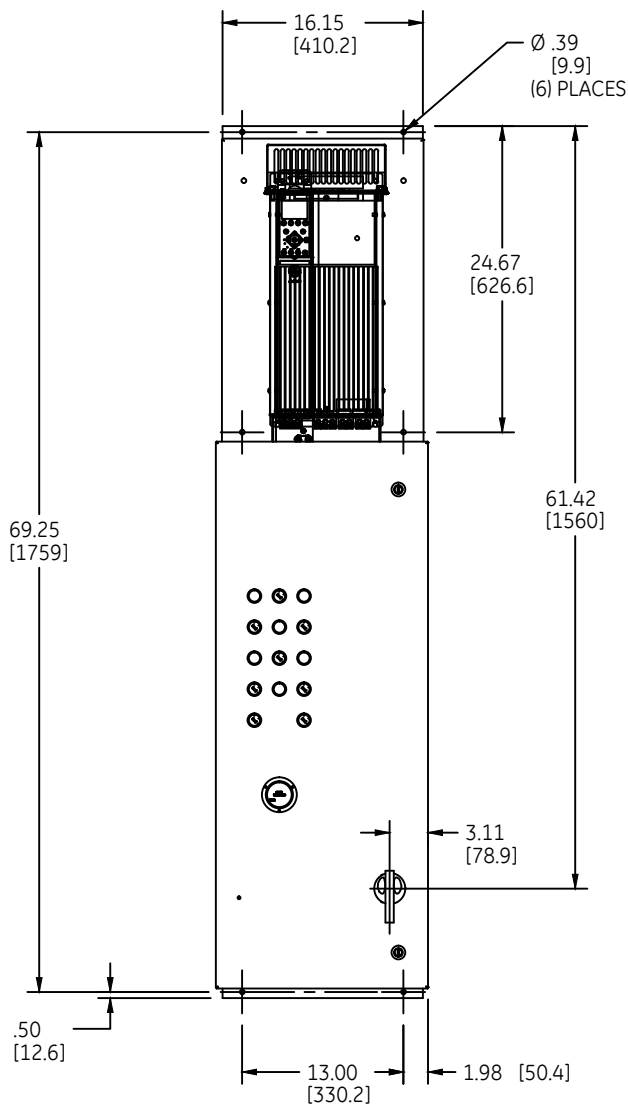


DUAL DIMENSIONS INCHES (ESTIMATING ONLY)
(MILLIMETERS)



WEIGHT: 331 LBS [150 KG]
 7.5-20HP@208V, 15-40HP@460V & 15-40HP@575V



OUTLINE - ENCLOSED DRIVES
 AF 650 GP TYPE-1

AN #	THIRD ANGLE PROJECTION	SHEET #
12-1025		1 OF 1

DWG NO.	DATE	REV
55-217762	07/15/09	4