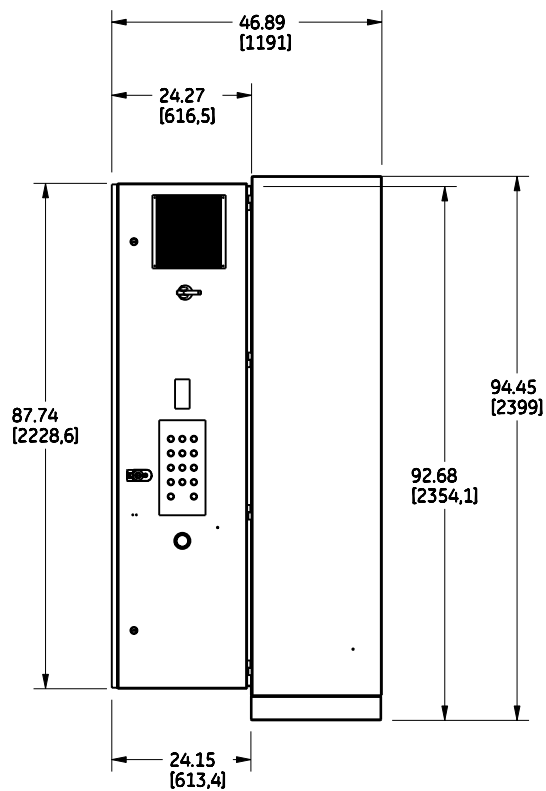
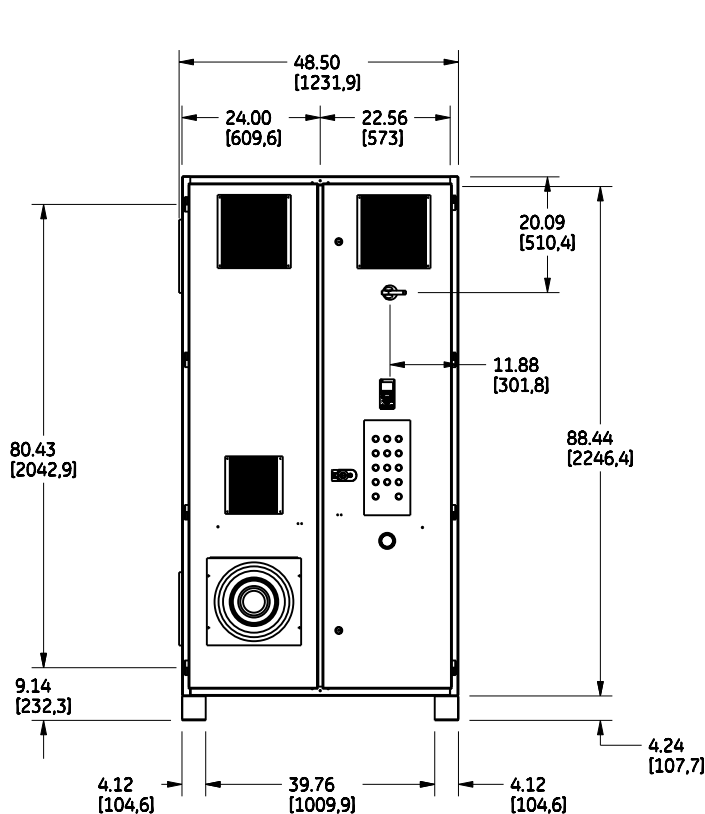
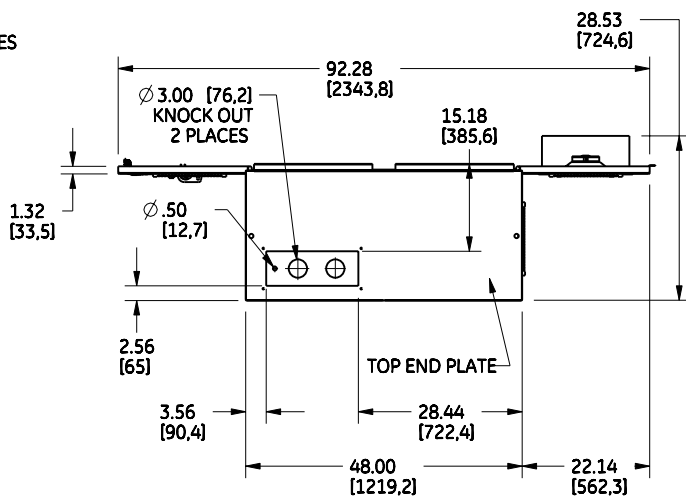
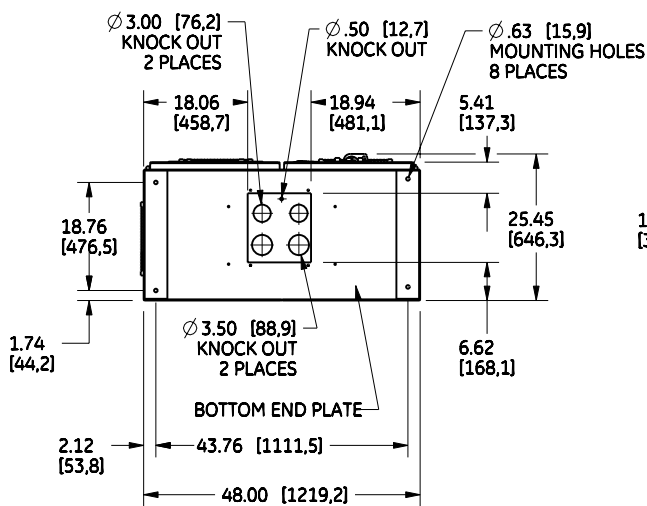


DUAL DIMENSIONS INCHES (ESTIMATING ONLY)
(MILLIMETERS)



DOOR OPEN AT 90°



DOOR OPEN AT 180°

WEIGHT :1497.30 LBS(679.18 KGS)
150-300HP@460V & 150HP@575V



OUTLINE - ENCLOSED DRIVES
AF 600 FP TYPE- 1

AN #	THIRD ANGLE PROJECTION	SHEET #
12-1010		1 OF 1

DWG NO.	DATE	REV
55-217675	06/09/10	6