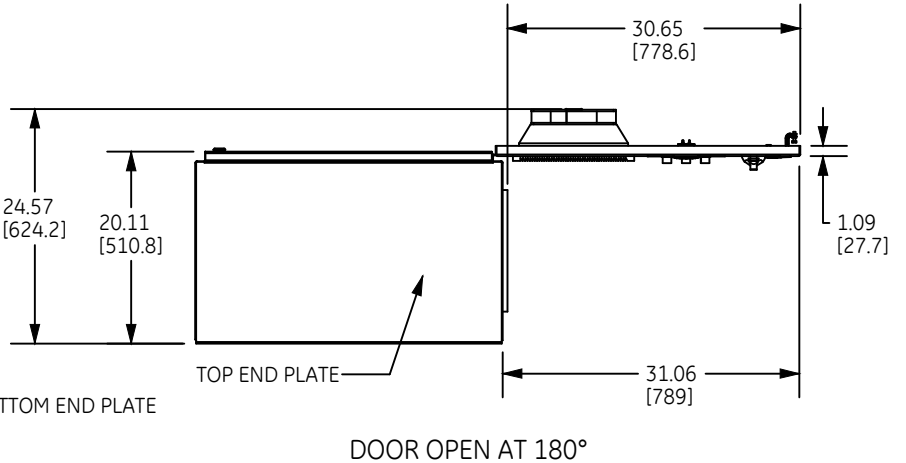
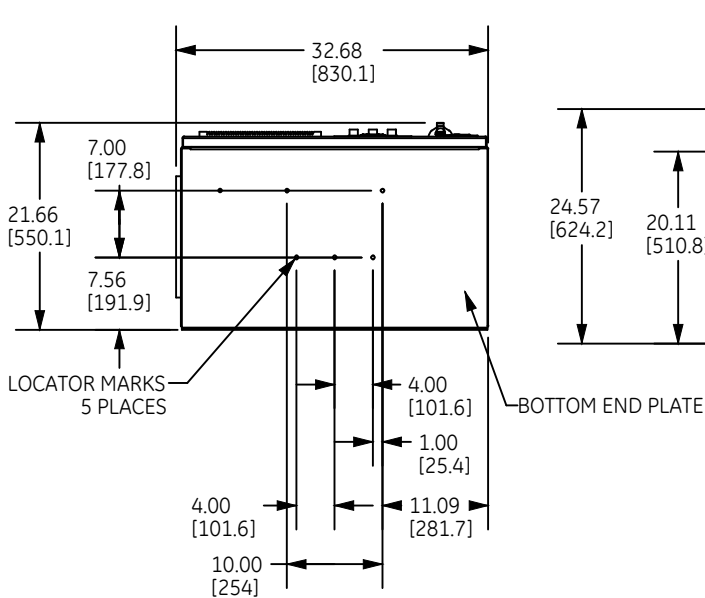
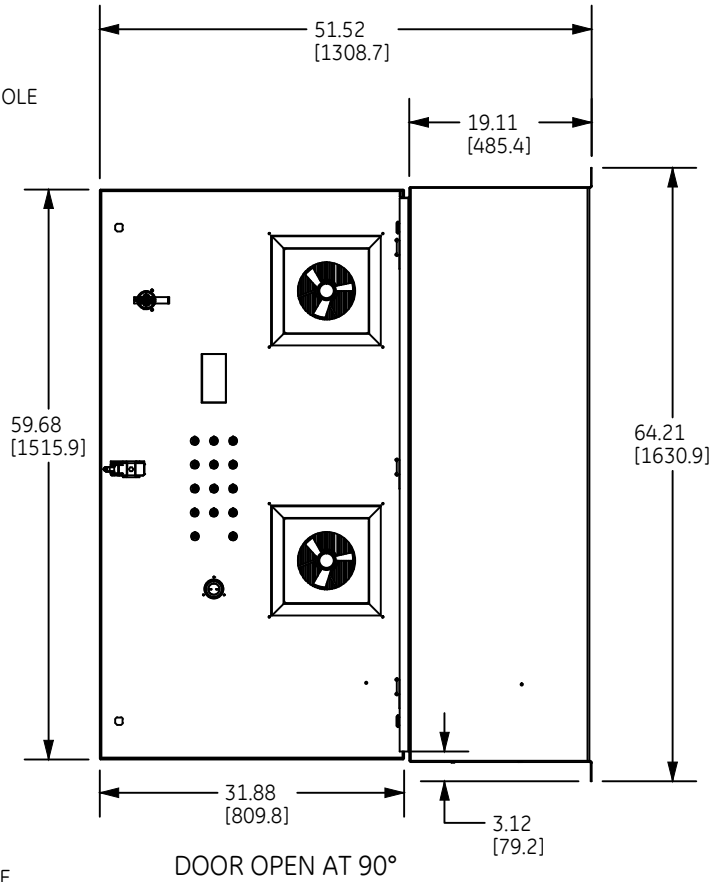
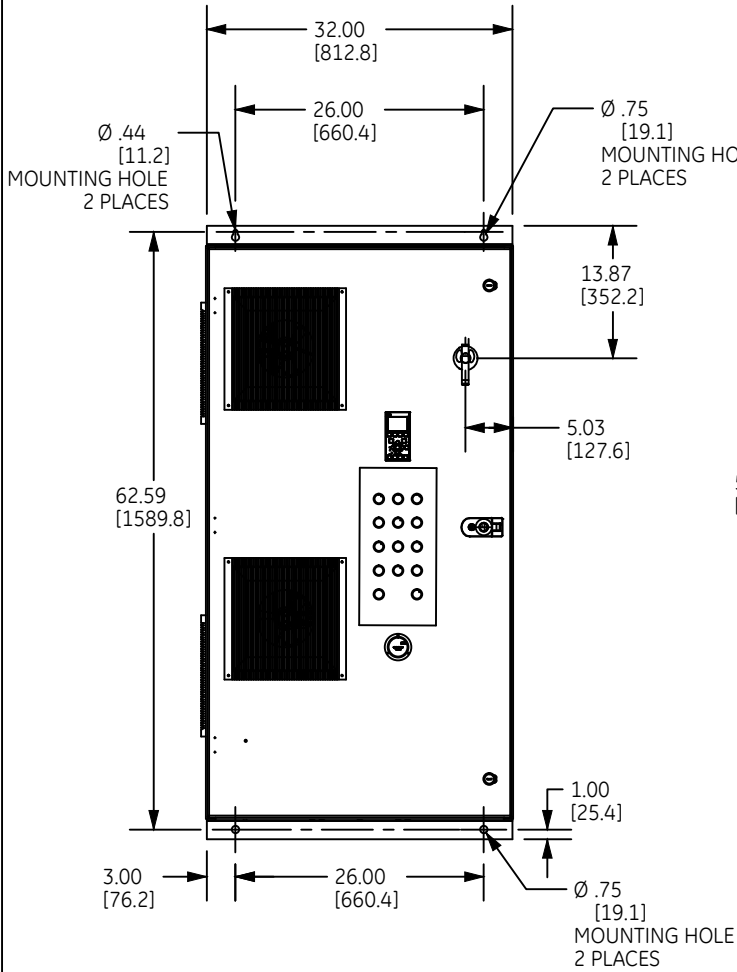


DUAL DIMENSIONS INCHES (ESTIMATING ONLY)
(MILLIMETERS)



WEIGHT : 555LBS [252 KG]
25-30 HP@208V, 50-60HP@460V & 50-60HP@575V



OUTLINE - ENCLOSED DRIVE
AF 650 GP TYPE-12

AN #	THIRD ANGLE PROJECTION	SHEET #
12-1025		1 OF 1

DWG NO.	DATE	REV
55-217768	06/11/10	6