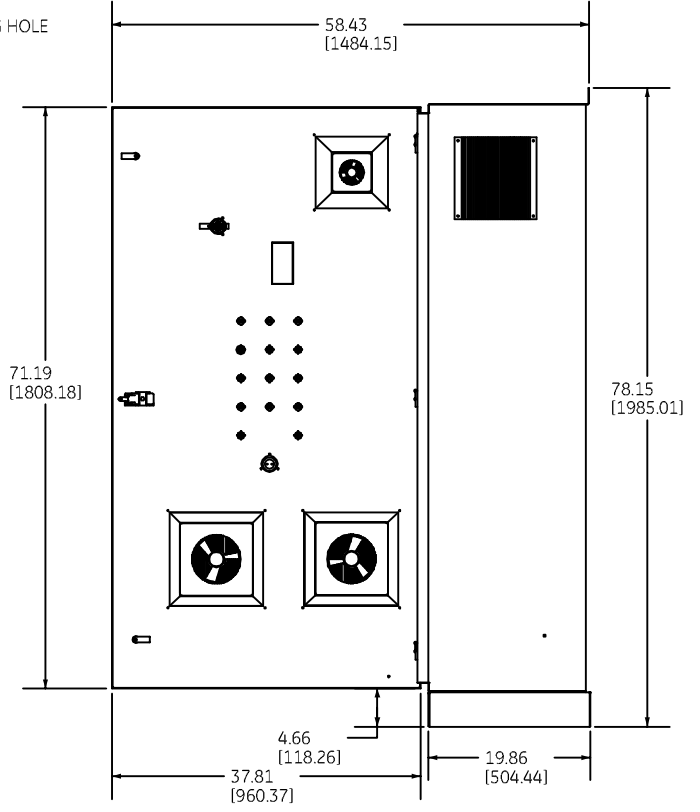
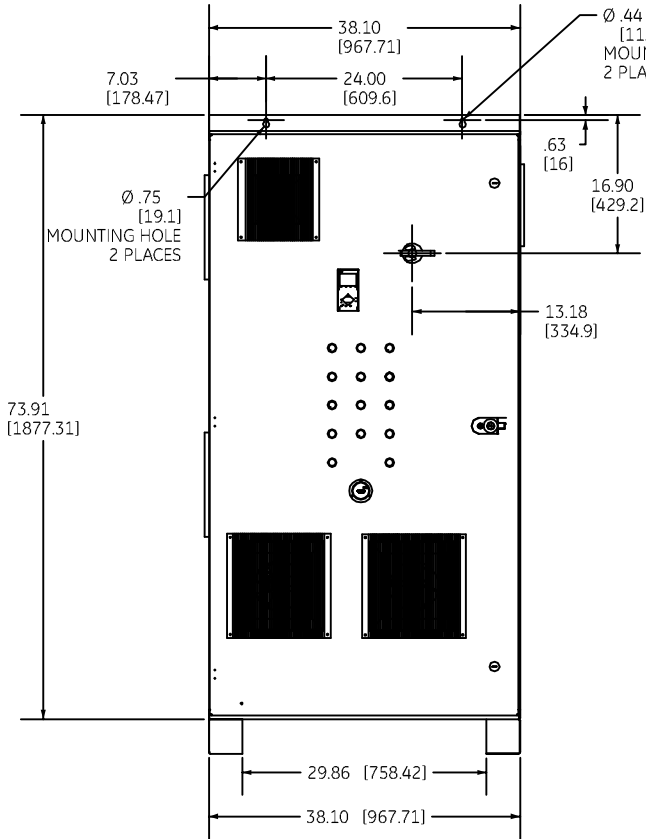
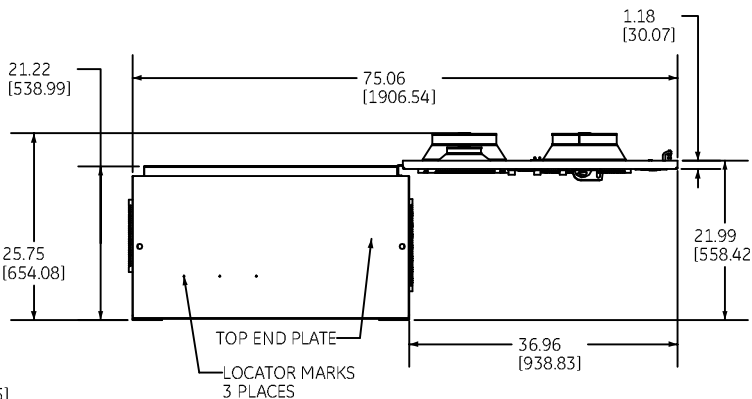
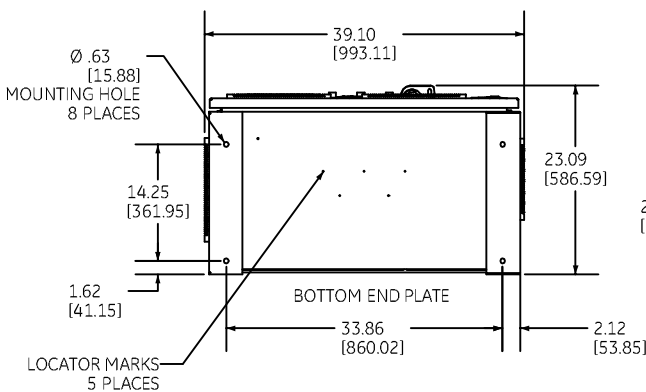


DUAL DIMENSIONS INCHES (ESTIMATING ONLY)
(MILLIMETERS)



DOOR OPEN AT 90°



DOOR OPEN AT 180°

WEIGHT: 821 LBS [372 KG]
40-50HP@208V, 75-100HP@460V & 75-100HP@575V



imagination at work

OUTLINE - ENCLOSED DRIVE
AF 650 GP TYPE-12

AN #	THIRD ANGLE PROJECTION	SHEET #
09-3038		1 OF 1

DWG NO.	DATE	REV
55-217769	07/15/09	3