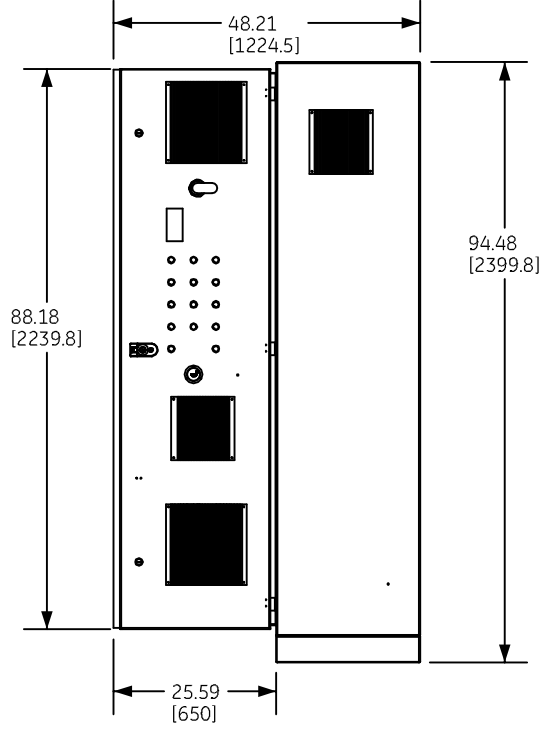
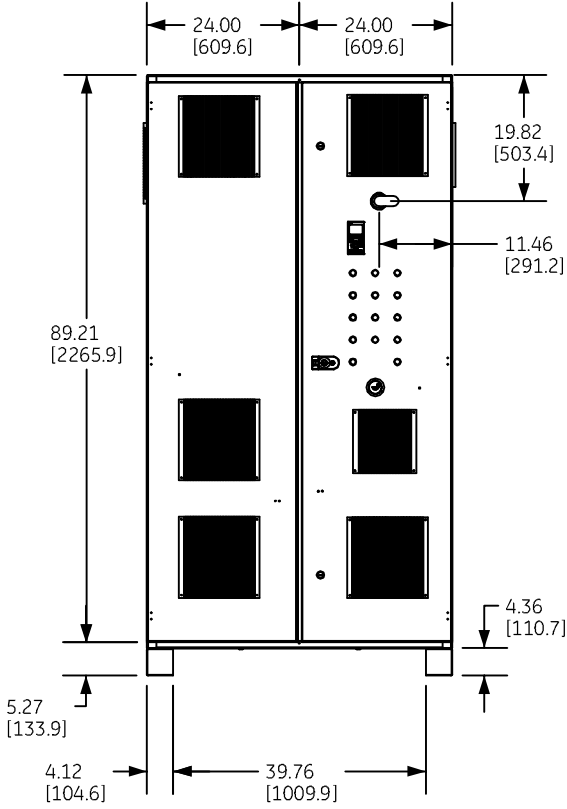
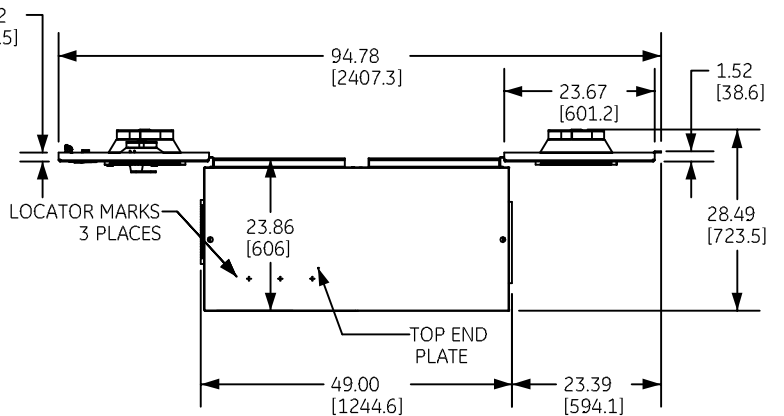
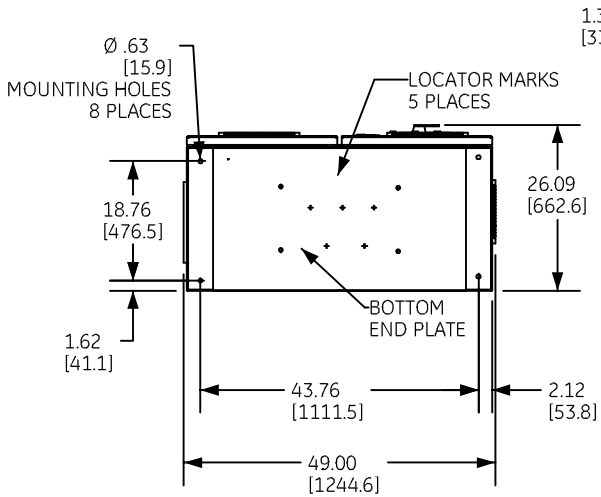


DUAL DIMENSIONS INCHES (MILLIMETERS) (ESTIMATING ONLY)



DOOR OPEN AT 90°



DOOR OPEN AT 180°

WEIGHT: 1588 LBS [720 KG]
125-300HP@460V



imagination at work

OUTLINE - ENCLOSED DRIVE
AF 650 GP TYPE-12

AN #	THIRD ANGLE PROJECTION	SHEET #
09-3038		1 OF 1

DWG NO.	DATE	REV
55-217770	07/15/09	3