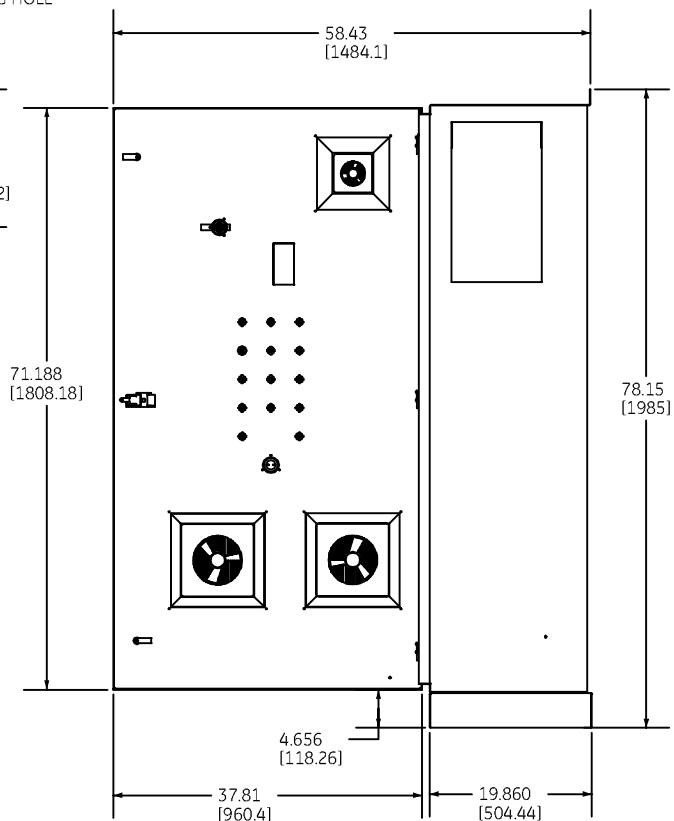
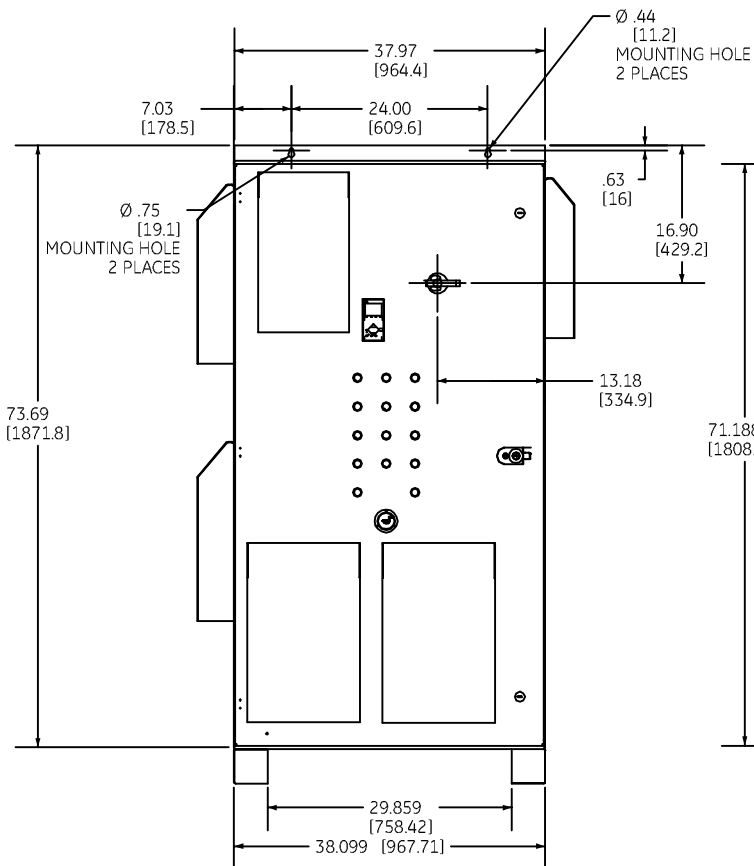
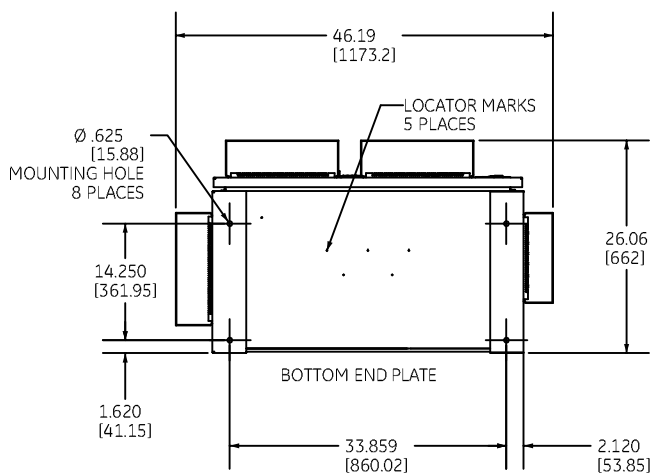


DUAL DIMENSIONS INCHES (MILLIMETERS) (ESTIMATING ONLY)



DOOR OPEN AT 90°



WEIGHT: 870 LBS [395 KG]

40-50HP@208V, 75-100HP@460V & 75-100HP@575V



imagination at work

OUTLINE - ENCLOSED DRIVE  
AF 650 GP TYPE-3R

AN #	THIRD ANGLE PROJECTION	SHEET #
09-3038		1 OF 1

DWG NO.	DATE	REV
55-217774	07/15/09	3