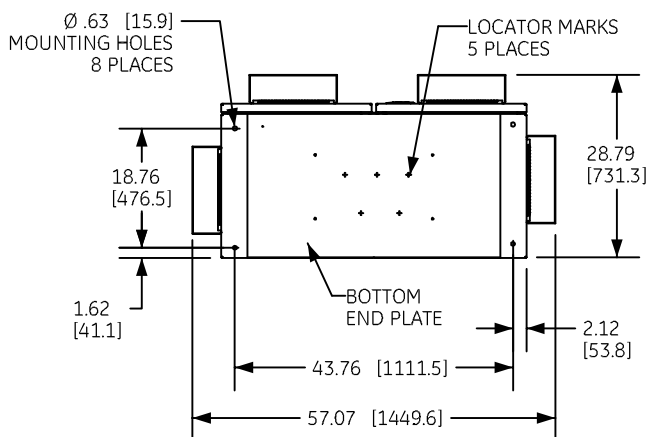
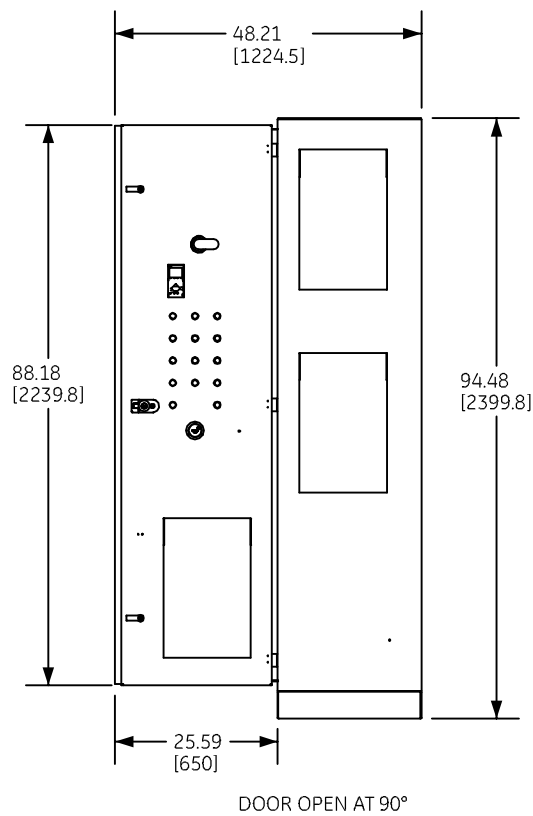
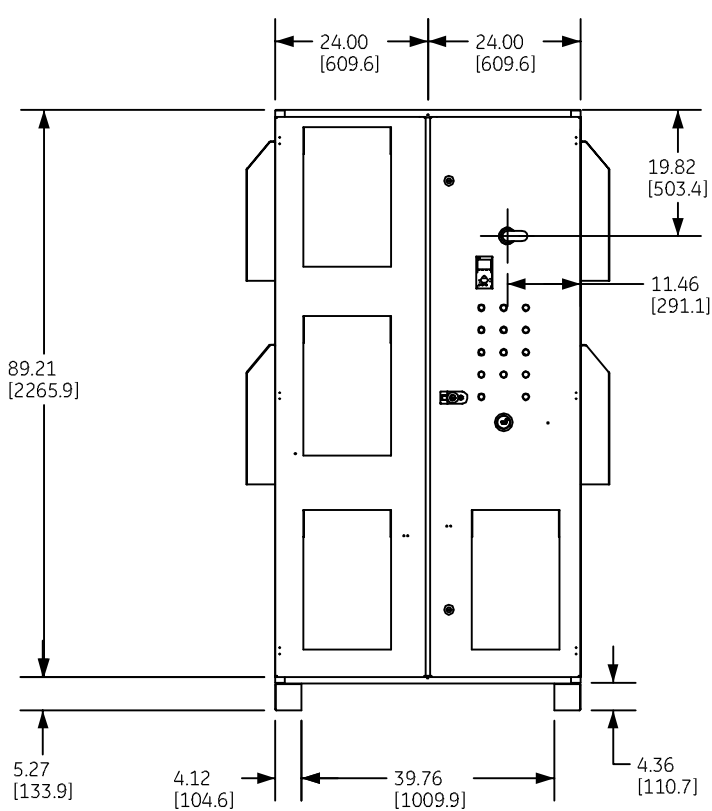


DUAL DIMENSIONS INCHES (MILLIMETERS) (ESTIMATING ONLY)



WEIGHT: 1253 LBS [568 KG]
125HP-150 HP@460V



imagination at work

OUTLINE - ENCLOSED DRIVE
AF 650 GP TYPE-3R

AN #	THIRD ANGLE PROJECTION	SHEET #
09-3038		1 OF 1

DWG NO.	DATE	REV
55-217775	07/15/09	3