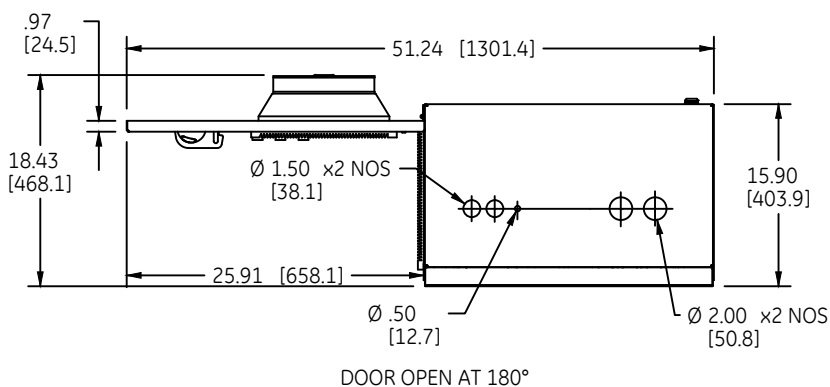
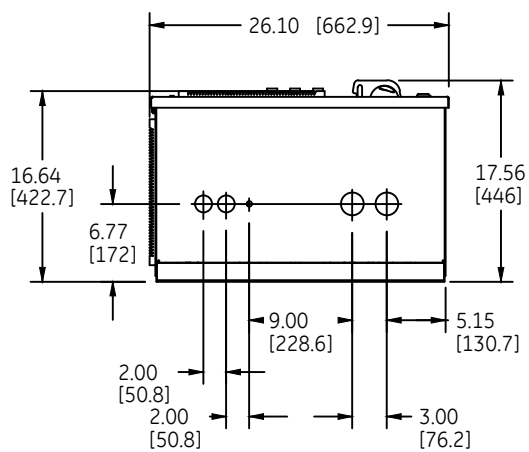
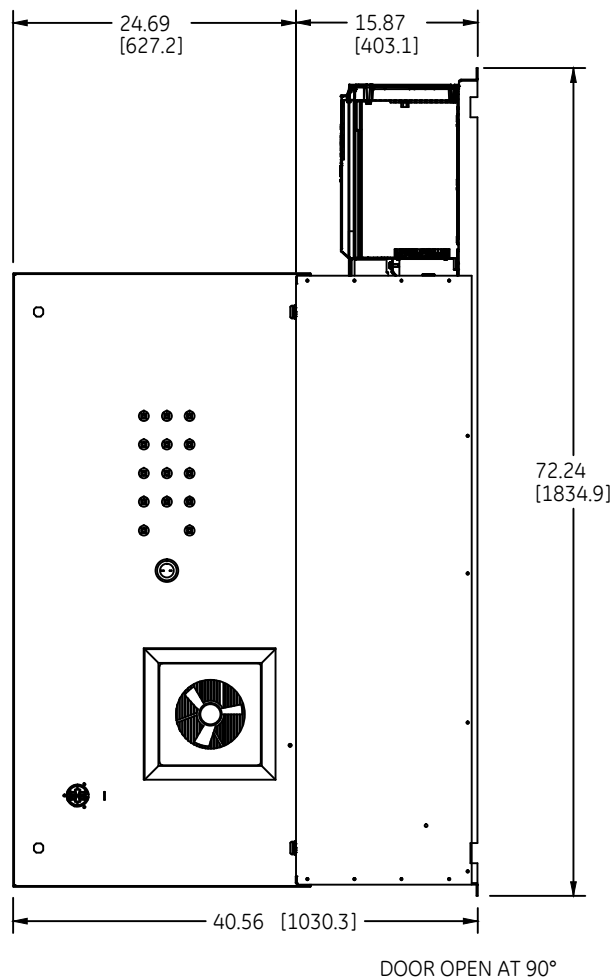
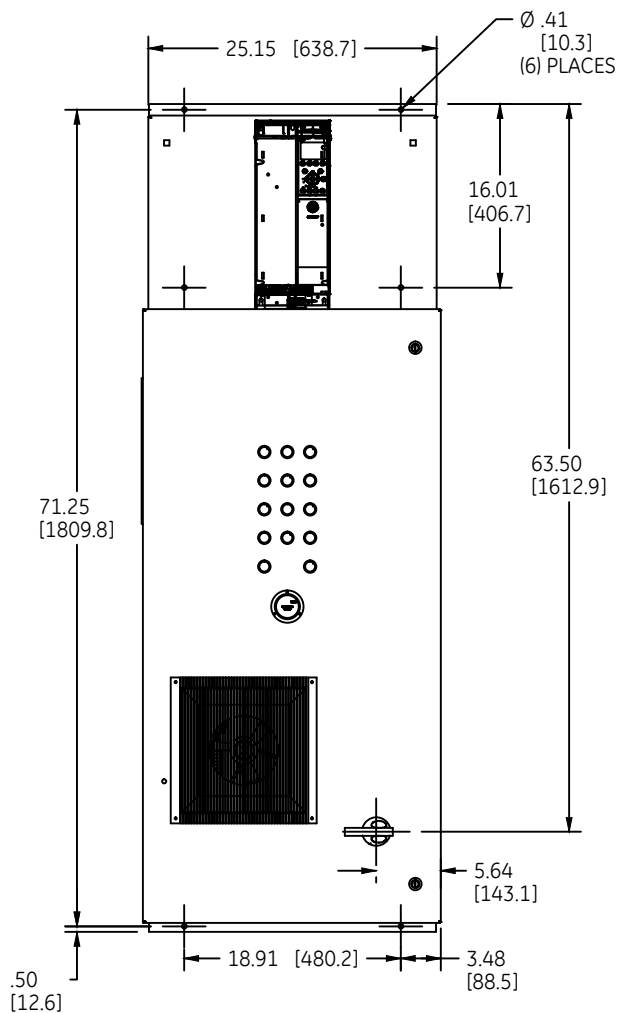


DUAL DIMENSIONS INCHES (MILLIMETERS) (ESTIMATING ONLY)



WEIGHT :391 LBS [177 KG]
1-10HP@208V & 1-20HP@460V



OUTLINE ENCLOSED DRIVES
AF 650 GP TYPE-1 HMR

AN #	THIRD ANGLE PROJECTION	SHEET #
12-1025		1 OF 1

DWG NO.	DATE	REV
55-217776	07/15/09	4