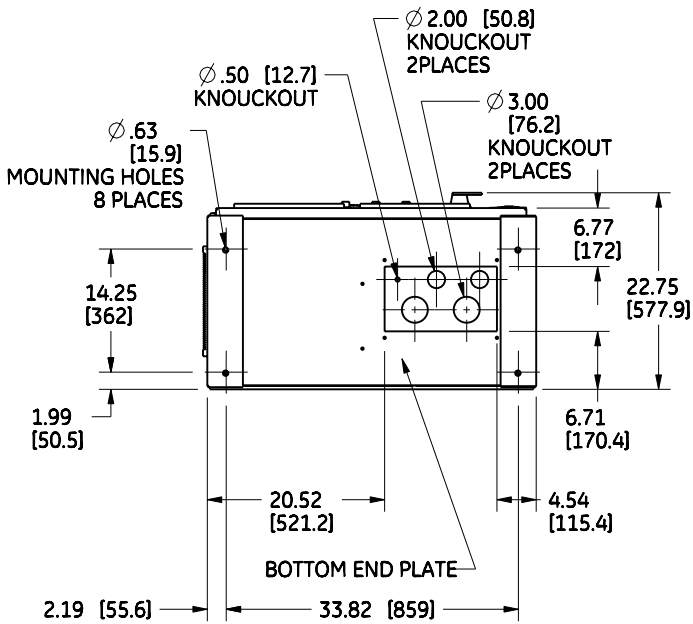
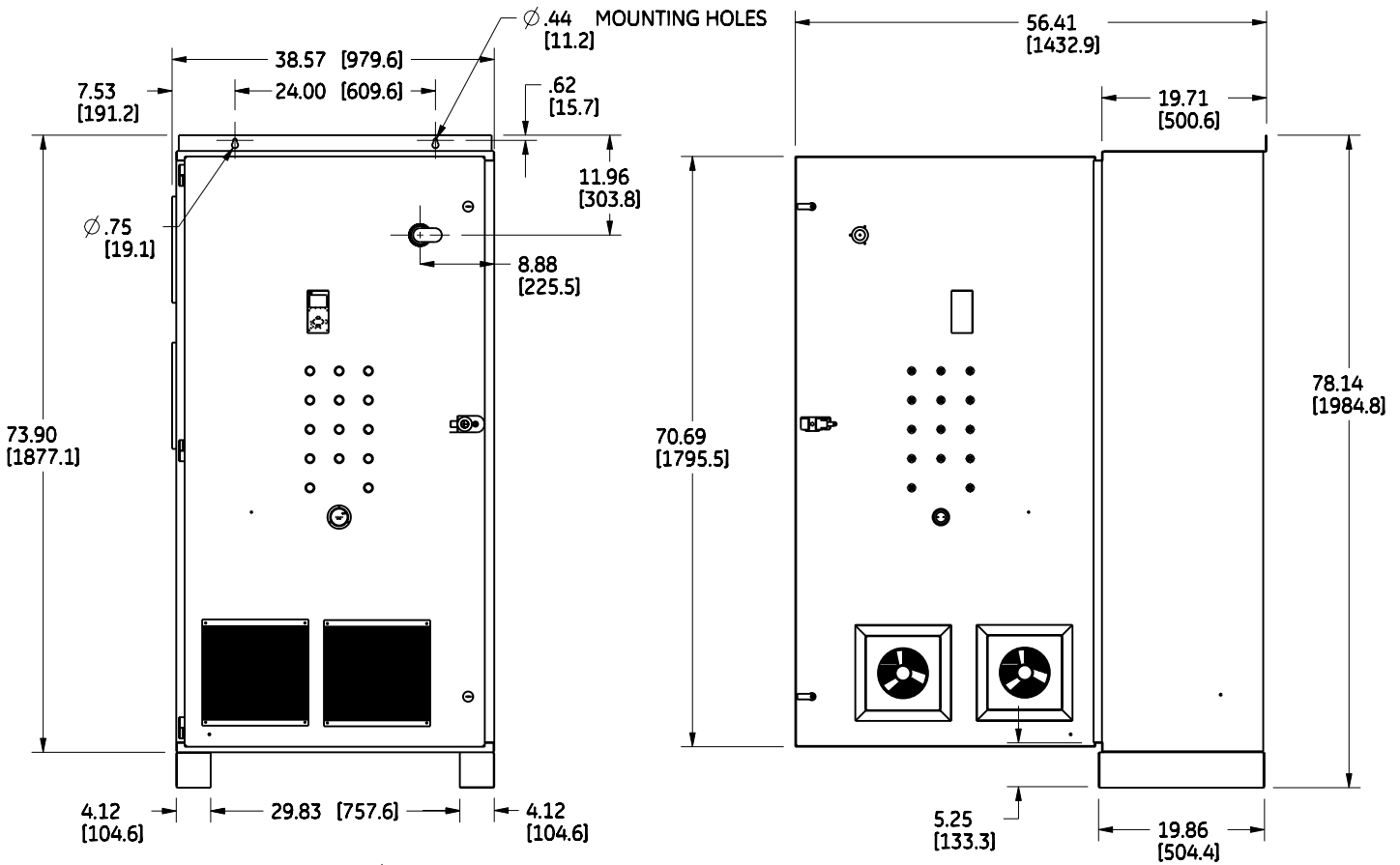
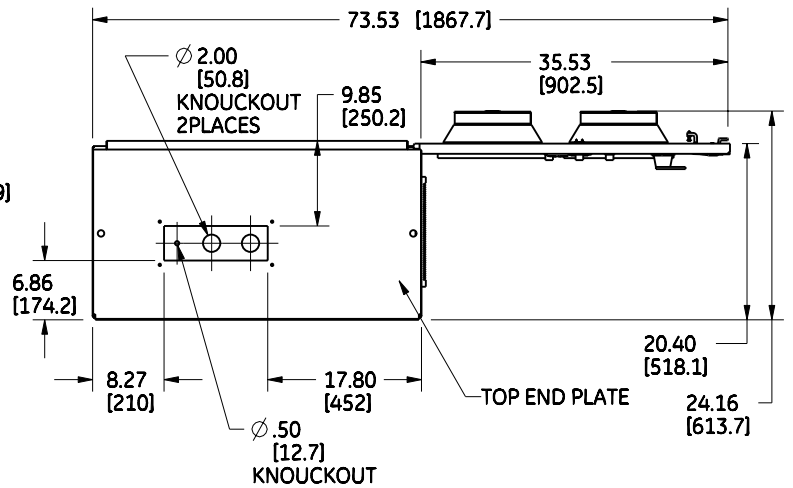


DUAL DIMENSIONS INCHES (MILLIMETERS) (ESTIMATING ONLY)



DOOR OPEN AT 90°



DOOR OPEN AT 180°

WEIGHT : 919 LBS [417 KGS]
15-30HP@208V & 25-60HP@460V

AN #	THIRD ANGLE PROJECTION	SHEET #
12-1010		1 OF 1

OUTLINE- ENCLOSED DRIVE AF 650 GP TYPE-1 HMR		
DWG NO.	DATE	REV
55-217777	07/15/08	4