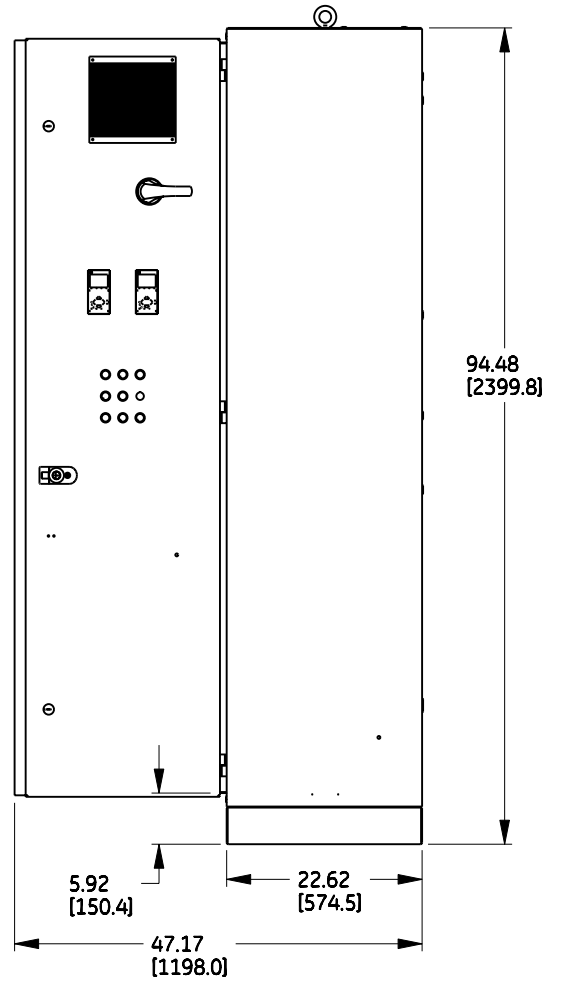
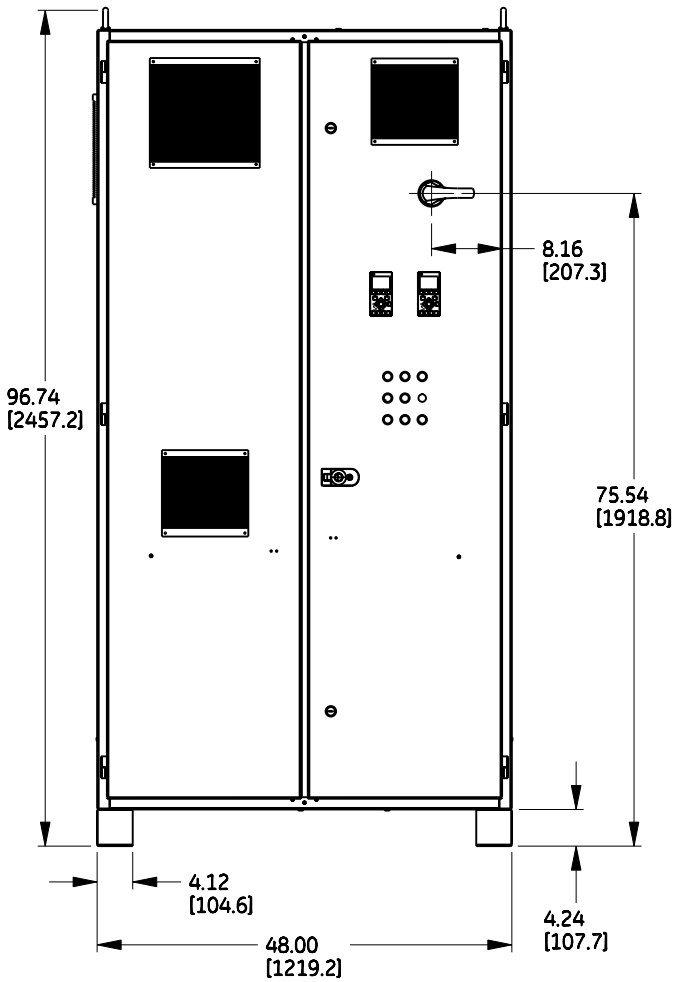
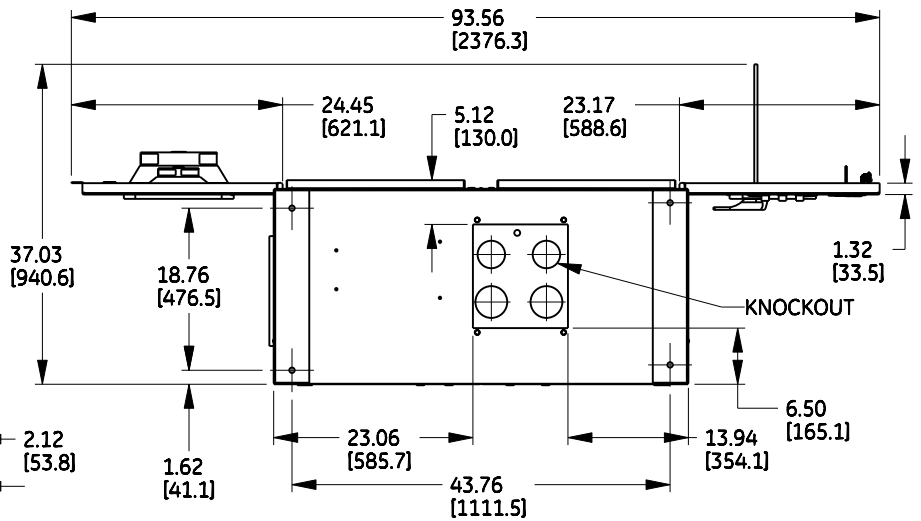
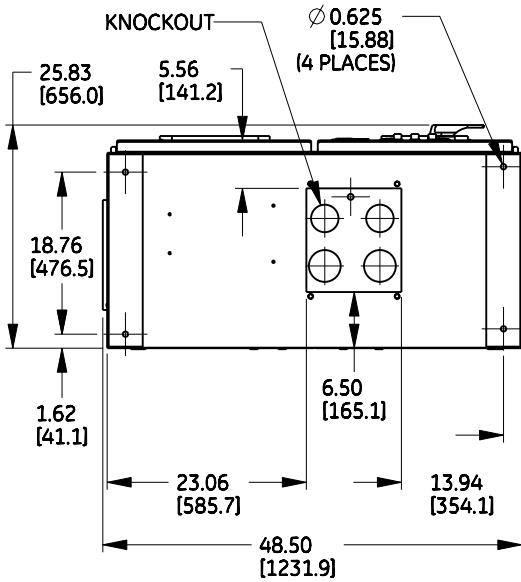


DUAL DIMENSIONS INCHES (ESTIMATING ONLY)
[MILLIMETERS]



DOOR OPEN AT 90°



DOOR OPEN AT 180°



OUTLINE, TYPE-1
ENCLOSED DRIVES - REDUNDANT DRIVE

WEIGHT: 1210.9 LBS [550 KGS]
100-125HP@460V

AN #	THIRD ANGLE PROJECTION	SHEET #
12-1010		1 OF 1

DWG NO.	DATE	REV
55-217782	09/28/10	4