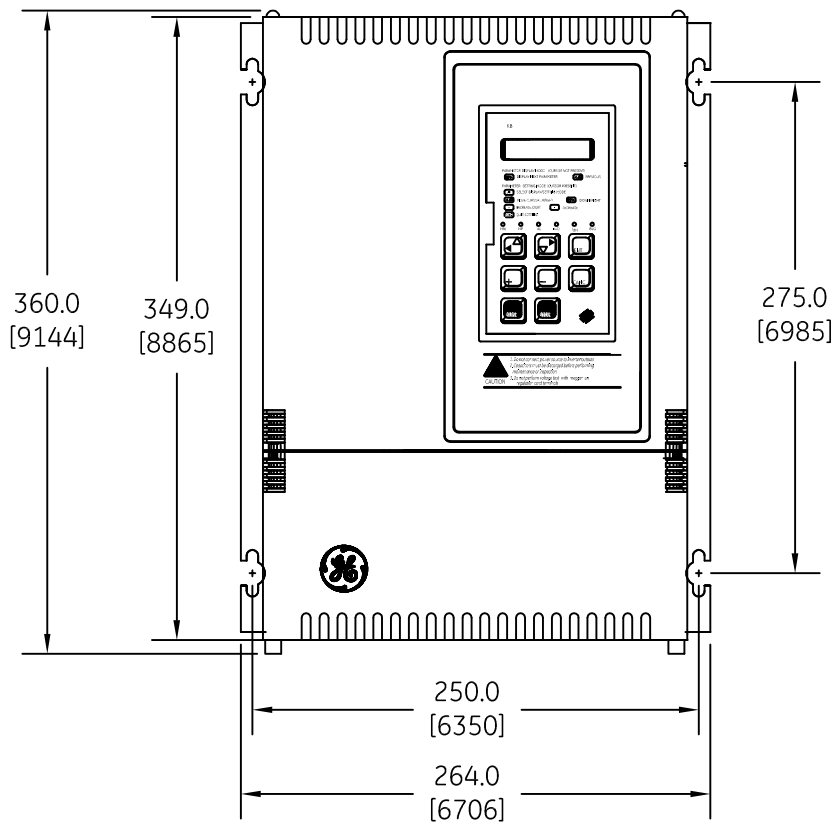
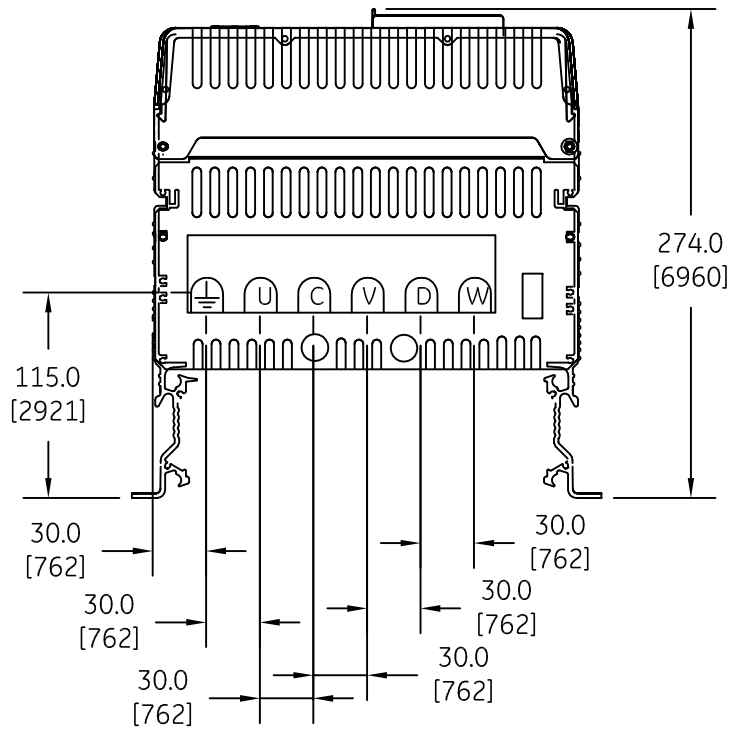


DUAL DIMENSIONS INCHES (ESTIMATING ONLY)  
[MILLIMETERS]



CATALOG NUMBERS

- |            |            |
|------------|------------|
| 6KDV3020Q2 | 6KDV3020Q4 |
| 6KDV3017Q2 | 6KDV3017Q4 |
| 6KDV3040Q2 | 6KDV3040Q4 |
| 6KDV3035Q2 | 6KDV3035Q4 |
| 6KDV3070Q2 | 6KDV3070Q4 |
| 6KDV3056Q2 | 6KDV3056Q4 |



OUTLINE  
DV300 DC DRIVE

AN #	THIRD ANGLE PROJECTION	SHEET #
09-9117		1 OF 1

DWG NO.	DATE	REV
55-217797	09/23/2009	1