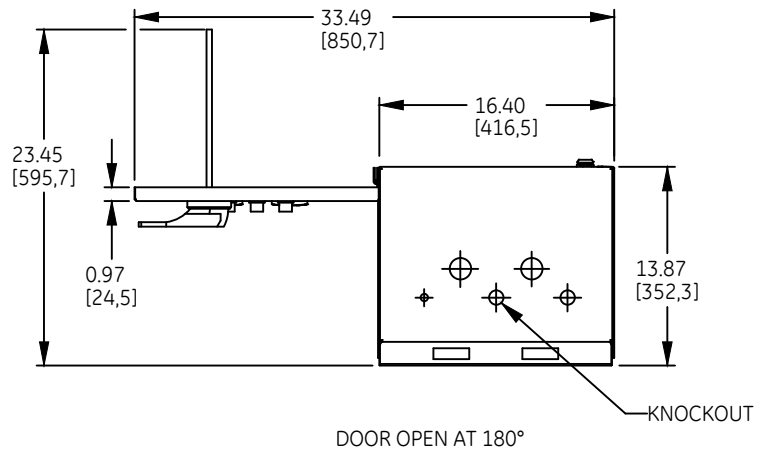
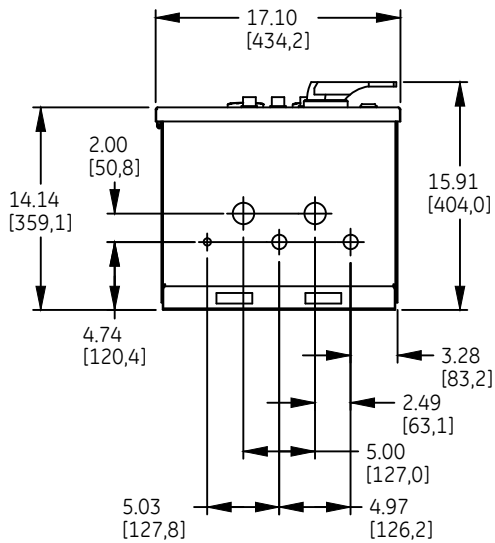
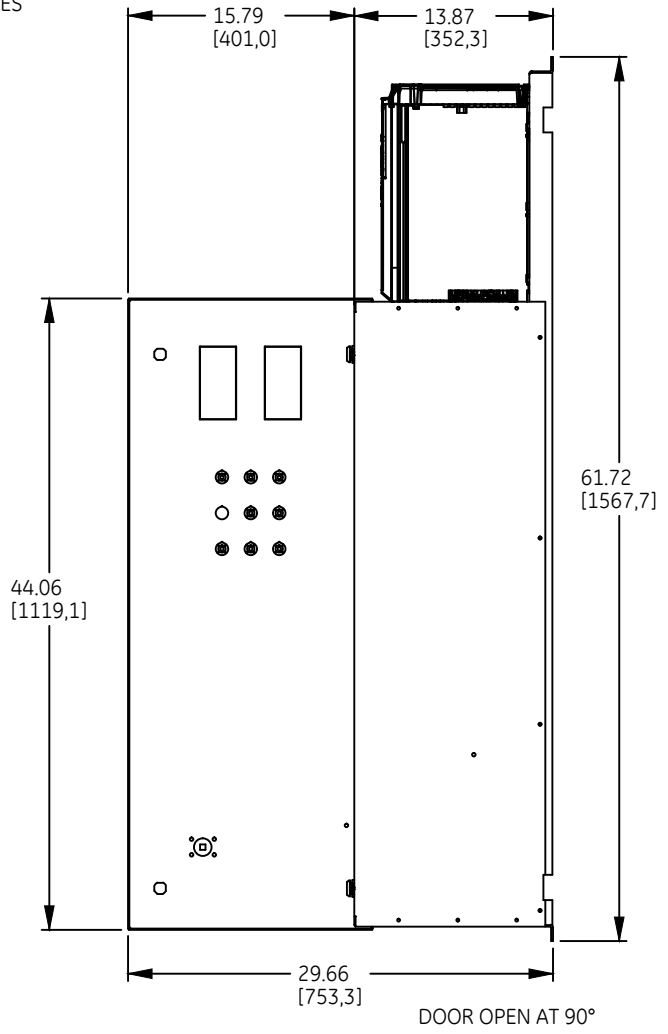
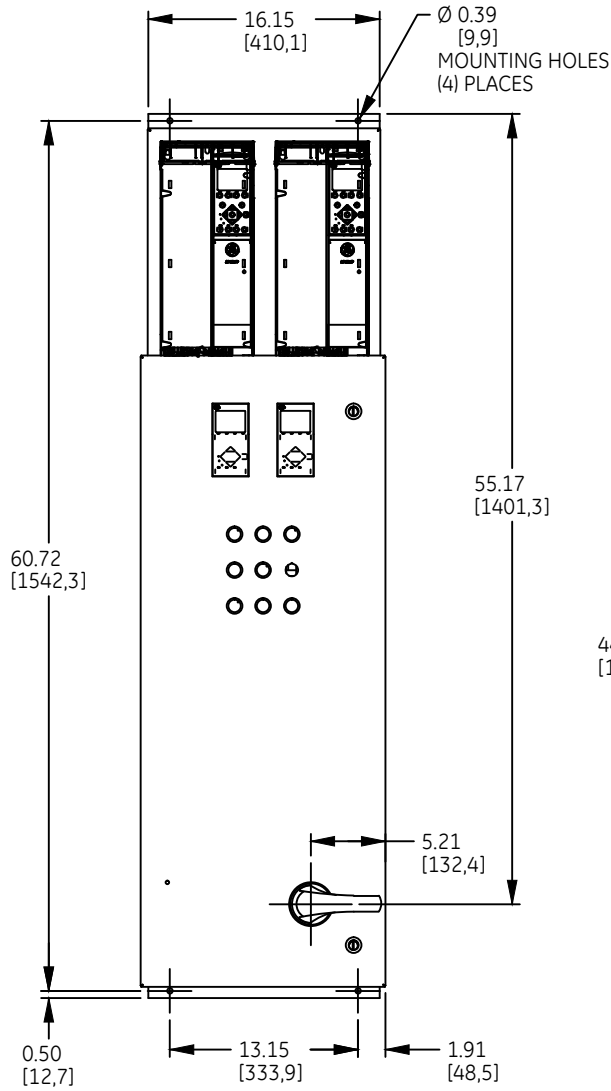


DUAL DIMENSIONS INCHES (ESTIMATING ONLY)
[MILLIMETERS]



WEIGHT: 224 LBS [102 KGS]
 15-25HP@460V



OUTLINE, TYPE - 1
 ENCLOSED DRIVES - REDUNDANT DRIVE

AN #	THIRD ANGLE PROJECTION	SHEET #
12-1025		1 OF 1

DWG NO.	DATE	REV
55-217844	10/22/10	5