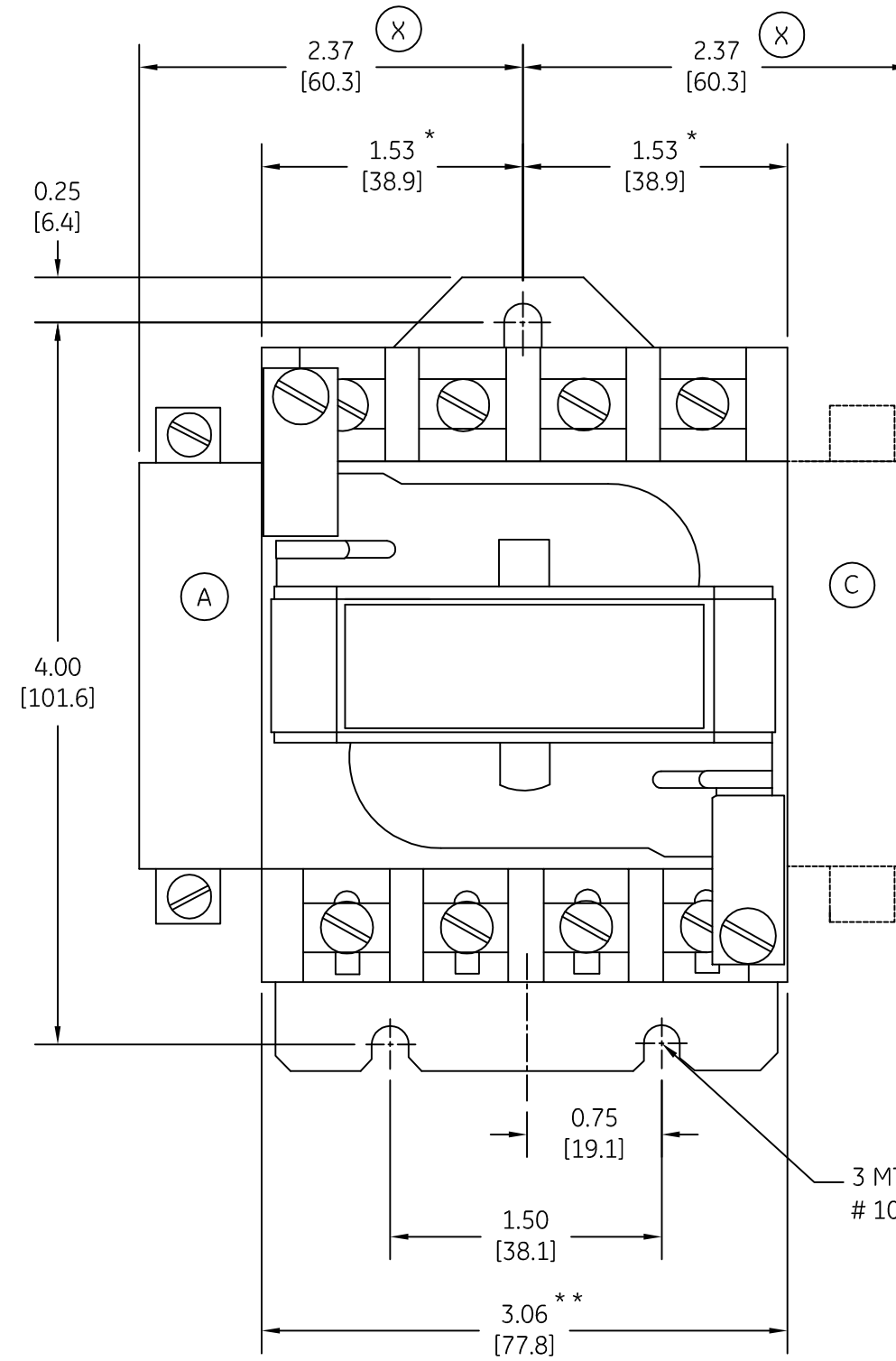
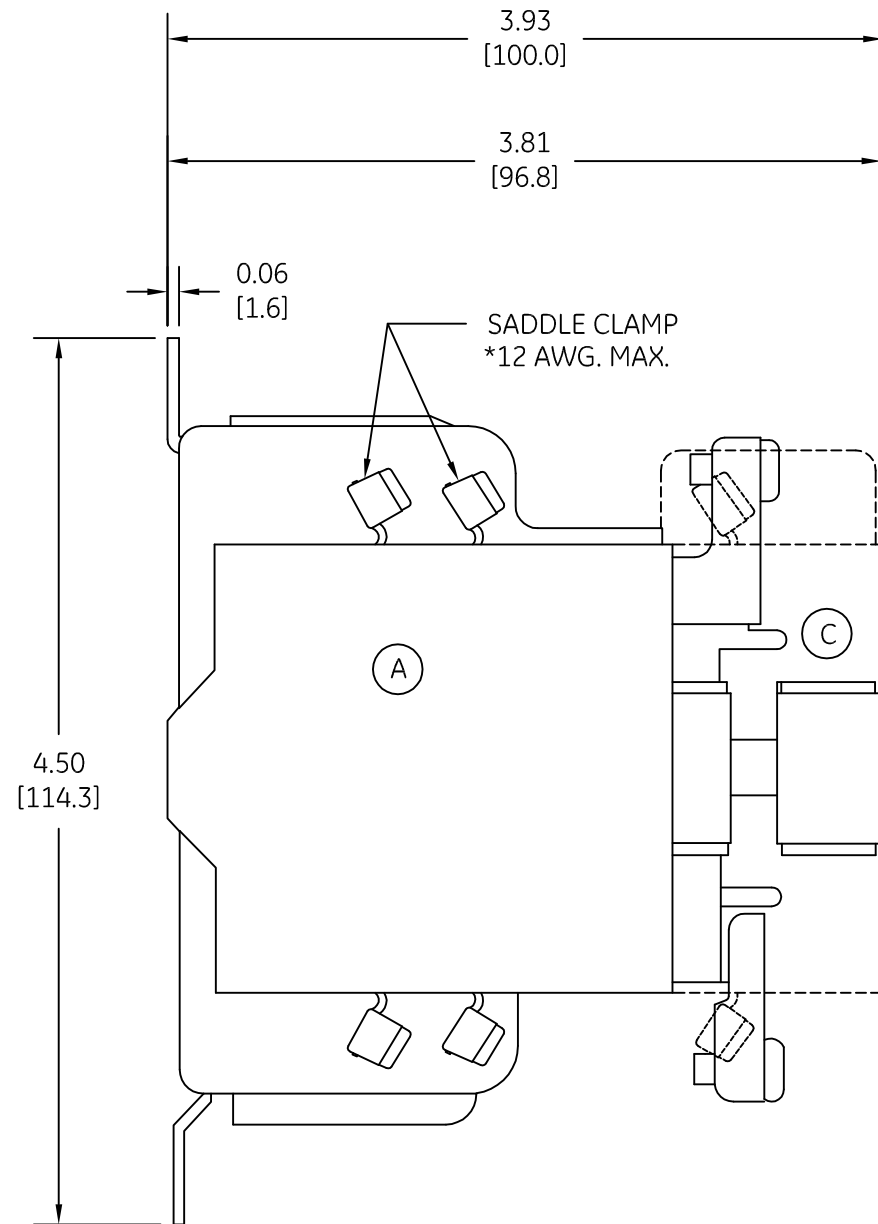


DUAL DIMENSIONS INCHES (ESTIMATING ONLY)  
[MILLIMETERS]



- (A) — AUXILIARY CONTACTS (IF USED)
- (B) — EXTRA AUX. CONTACT (IF USED)
- \* — ADD 1/2 INCH FOR ELECTRICAL CLEARANCE
- (X) — ADD 1/4 INCH FOR ELECTRICAL CLEARANCE
- \*\* — ADD 1/2 INCH EACH SIDE FOR ELECTRICAL CLEARANCE.

3 MTG. HOLES FOR # 10 SCREWS



OUTLINE  
CR360L LIGHTING CONTACTOR OPEN

AN #	THIRD ANGLE PROJECTION	SHEET #	DWG NO.	DATE	REV
09-9114		1 OF 1	55-513415	09/01/2009	2