

-NOMENCLATURE-  
 FS&SS-FAST, SLOW-SPEED CONTACTORS  
 MECHANICALLY AND ELECTRICALLY  
 INTERLOCKED.  
 OL-THERMAL OVERLOAD RELAY.  
 I-INDICATING LIGHT

ALTERNATE LEGENDS FOR FAST AND SLOW  
 ARE HIGH AND LOW

	LINE	LOAD
USE 75°C COPPER CONDUCTORS ONLY, FOR FIELD WIRING. TORQUE LINE AND LOAD TERMINALS AS MARKED OR AS SHOWN AT RIGHT:	CR309 20 LB-IN	20 LB-IN
	CR310 AS MARKED	20 LB-IN
	CR311 35 LB-IN	20 LB-IN
	CR390 AS MARKED	20 LB-IN

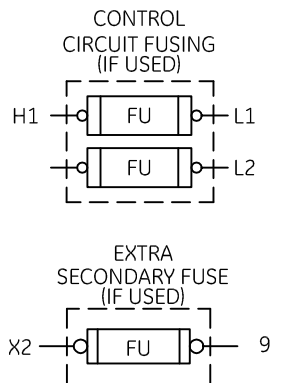
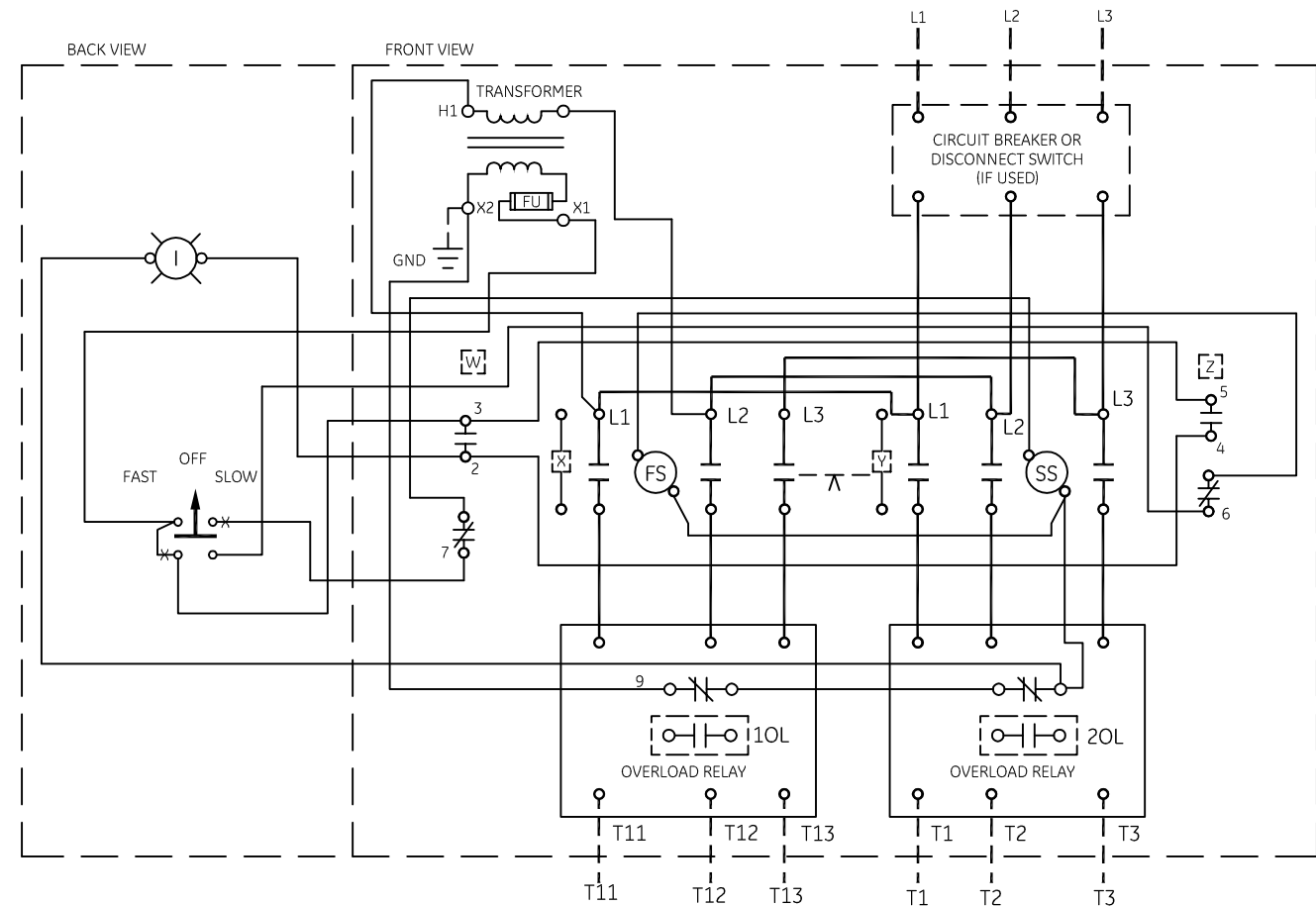
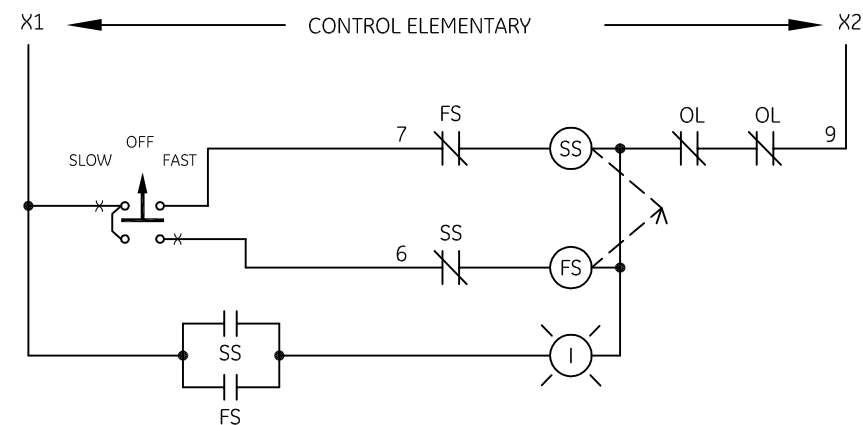
NOTE: ADDITIONAL OVER-CURRENT PROTECTION  
 MAY BE REQUIRED. REFER TO THE  
 NATIONAL ELECTRICAL CODE OR LOCAL  
 ELECTRICAL CODE AS REQUIRED.

GROUND KIT

1/2-IN CONDUIT	55-213403G001
3/4-IN CONDUIT	55-213403G002
1-IN CONDUIT	55-213403G003
1 1/4-IN CONDUIT	55-213403G004
1 1/2-IN CONDUIT	55-213403G005
2-IN CONDUIT	55-213403G006
2 1/2-IN CONDUIT	55-213403G007
3-IN CONDUIT	55-213403G008

FOR EXTRA AUXILIARY CONTACTS - A MAXIMUM OF 2  
 CONTACTS MAY BE ADDED AT POSITIONS  
 T,U,W & Z FOR SIZE 0 & 1 ONLY.

FOR CONTROLLER WITHOUT DISCONNECT MEANS-WIRE  
 LINE DIRECT TO L1,L2 AND L3 ON CONTACTOR.



imagination at work

WIRING DIAGRAM  
 2 SPEED - 1 WINDING SIZE 0 & 1

AN #	THIRD ANGLE PROJECTION	SHEET #	DWG NO.	DATE	REV
09-9115		1 OF 1	55-516497	09/04/2009	8