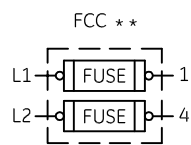
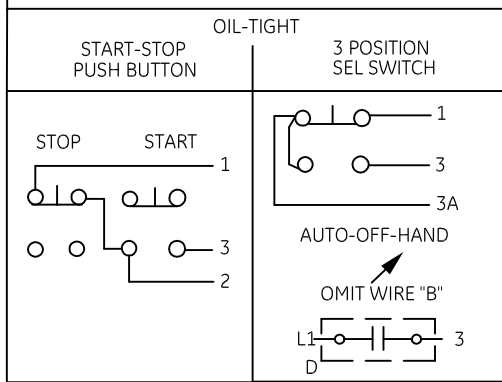
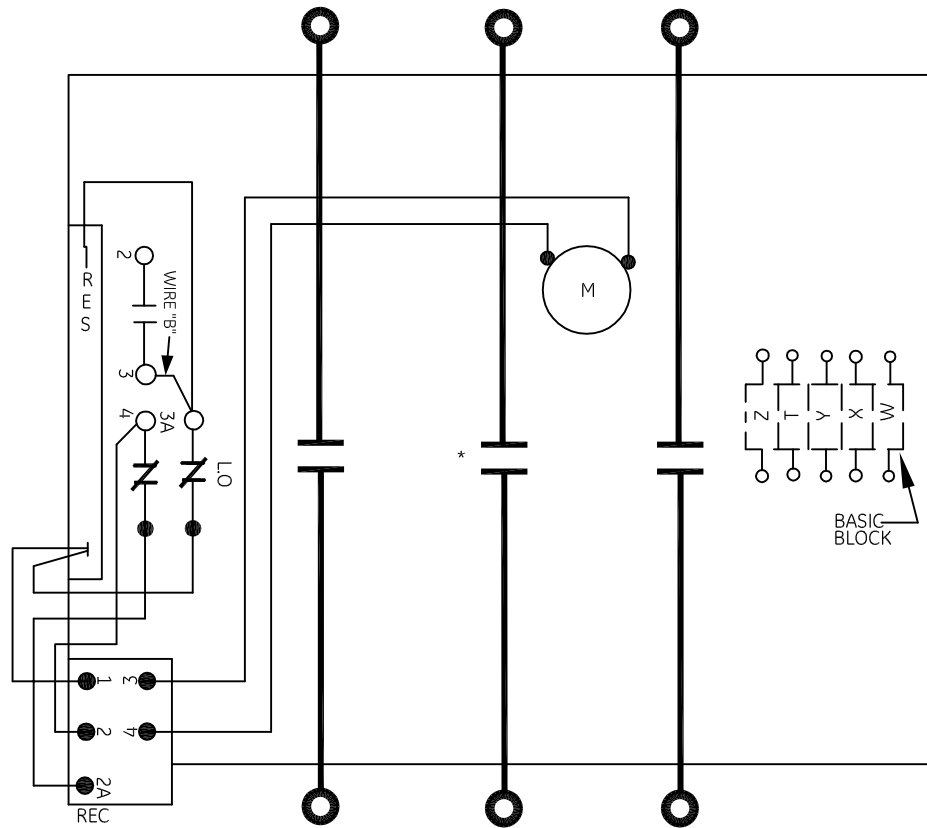


FINAL SUFFIX LETTER OF "CR" NO.	EXTRA AUXILIARY CONTACT TABLE CONTACT LOCATION 5 CONTACTS MAXIMUM				
	W	X	Y	T	Z
A (OR NONE)					
B					
C					
D					
E					
F					
G					
H					
J					
K					
L					
M					
N					
P					
R					
S					
T					
U					
W					
X					
Y					



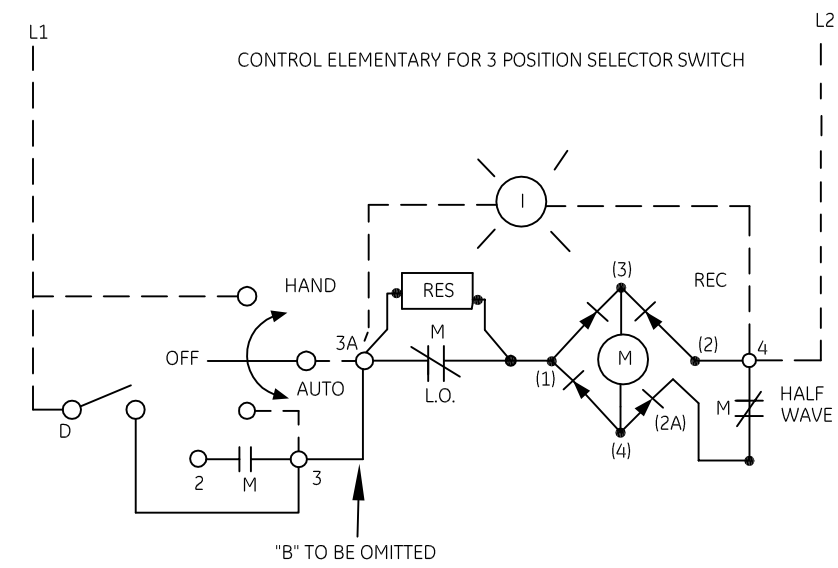
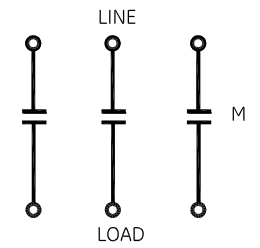
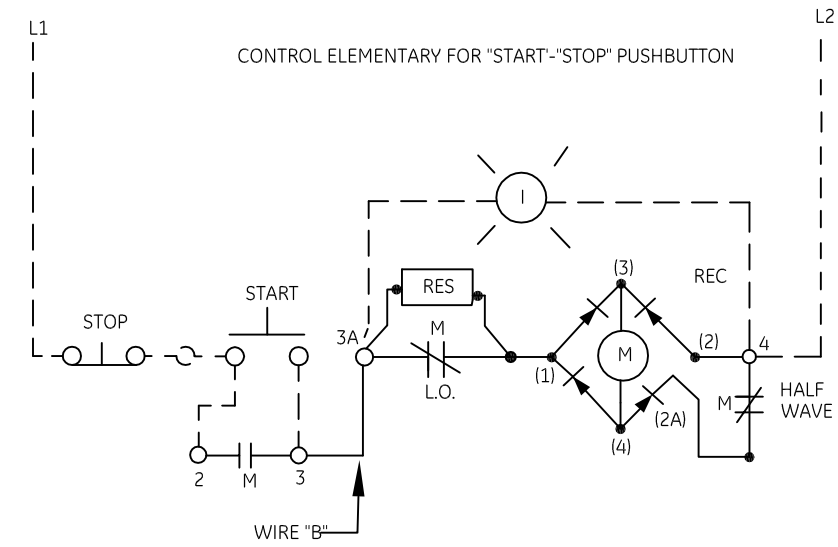
** CAUTION : Fuses having an interrupting rating not less than available short circuit current must be installed in both sides of the control circuit, 15 ampere fuses are recommended; they must not exceed 30 amperes rating.

- NOMENCLATURE-
- M-LINE CONTACTOR
 - I-INDICATING LIGHT
 - D-MAINTAINED CONTACT PILOT DEVICE
 - L.O.-LATE OPENING
 - FCC-FUSE CONTROL CIRCUIT
 - REC-RECTIFIER
 - RES-RESISTOR
 - FACTORY WIRED TERMINAL
 - FIELD WIRED TERMINAL



* THIS POLE OMITTED ON TWO POLE FORMS

USE 75°C COPPER CONDUCTORS ONLY, FOR FIELD WIRING. TORQUE LINE AND LOAD TERMINALS SCREWS TO 500 LB-IN



"B" TO BE OMITTED



WIRING DIAGRAM
FVNR SIZE 6 & 7

AN #	THIRD ANGLE PROJECTION	SHEET #	DWG NO.	DATE	REV
09-9107		1 OF 1	55-522337	08/04/2009	5