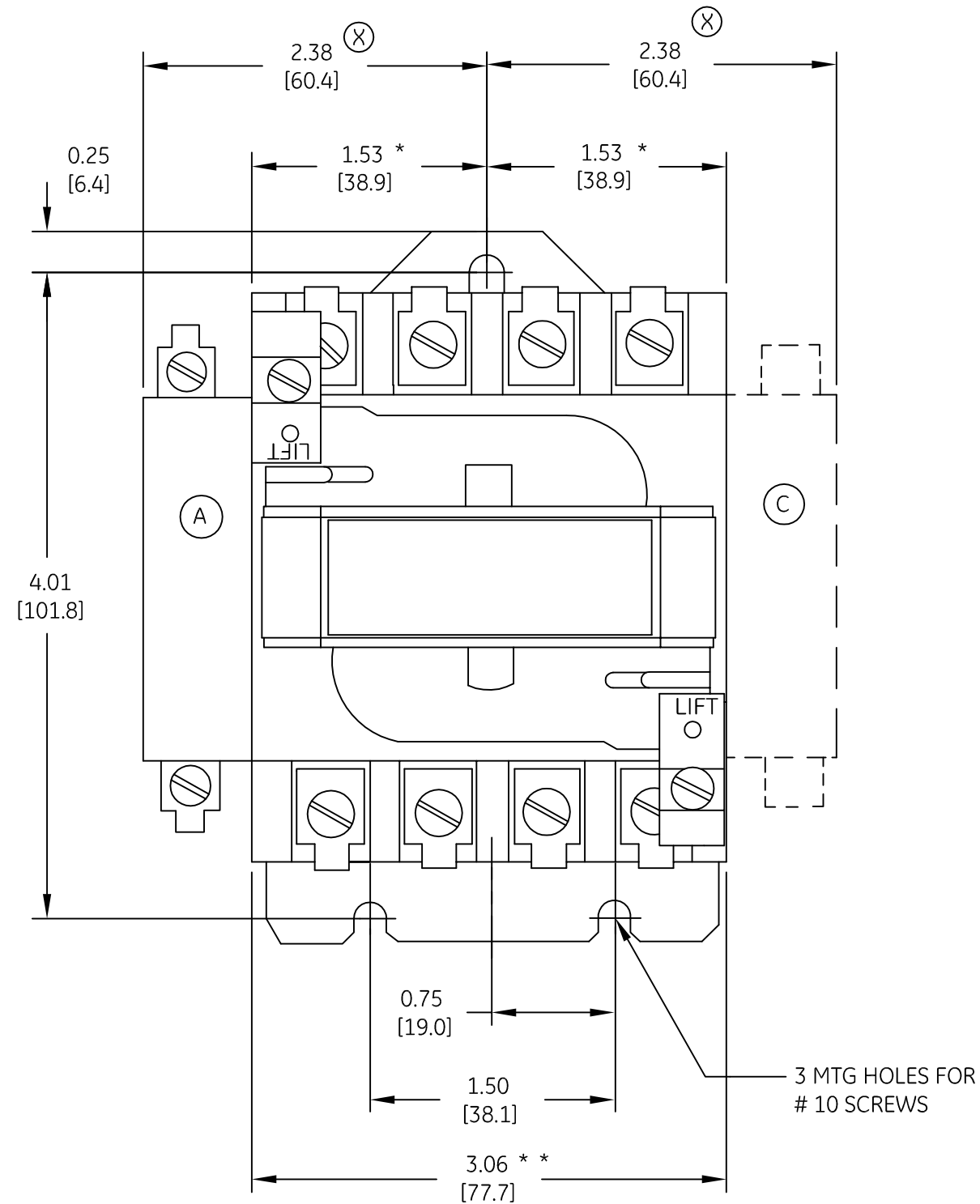


DUAL DIMENSIONS INCHES [MILLIMETERS] (ESTIMATING ONLY)



- (A) - AUXILIARY CONTACT (IF USED)
- (C) - EXTRA AUX. CONTACT (IF USED)
- \* - ADD 0.50 [12.7] FOR ELECTRICAL CLEARANCE
- (X) - ADD 0.25 [6.4] FOR ELECTRICAL CLEARANCE
- \*\* - ADD 0.50 [12.7] EACH SIDE FOR ELECTRICAL CLEARANCE

imagination at work

OUTLINE  
CR305C CONTACTOR OPEN

AN #	THIRD ANGLE PROJECTION	SHEET #	DWG NO.	DATE	REV
09-9107		1 OF 1	55-526671	07/31/2009	3