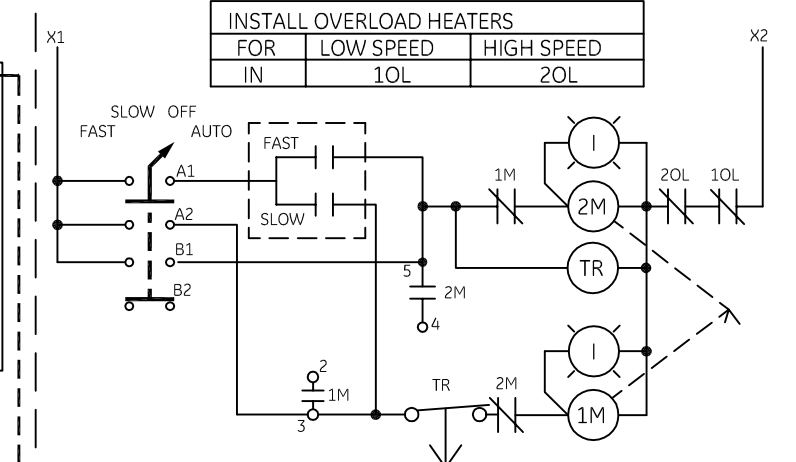
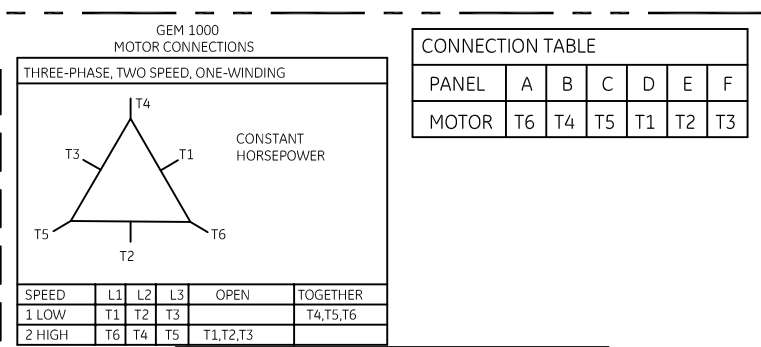
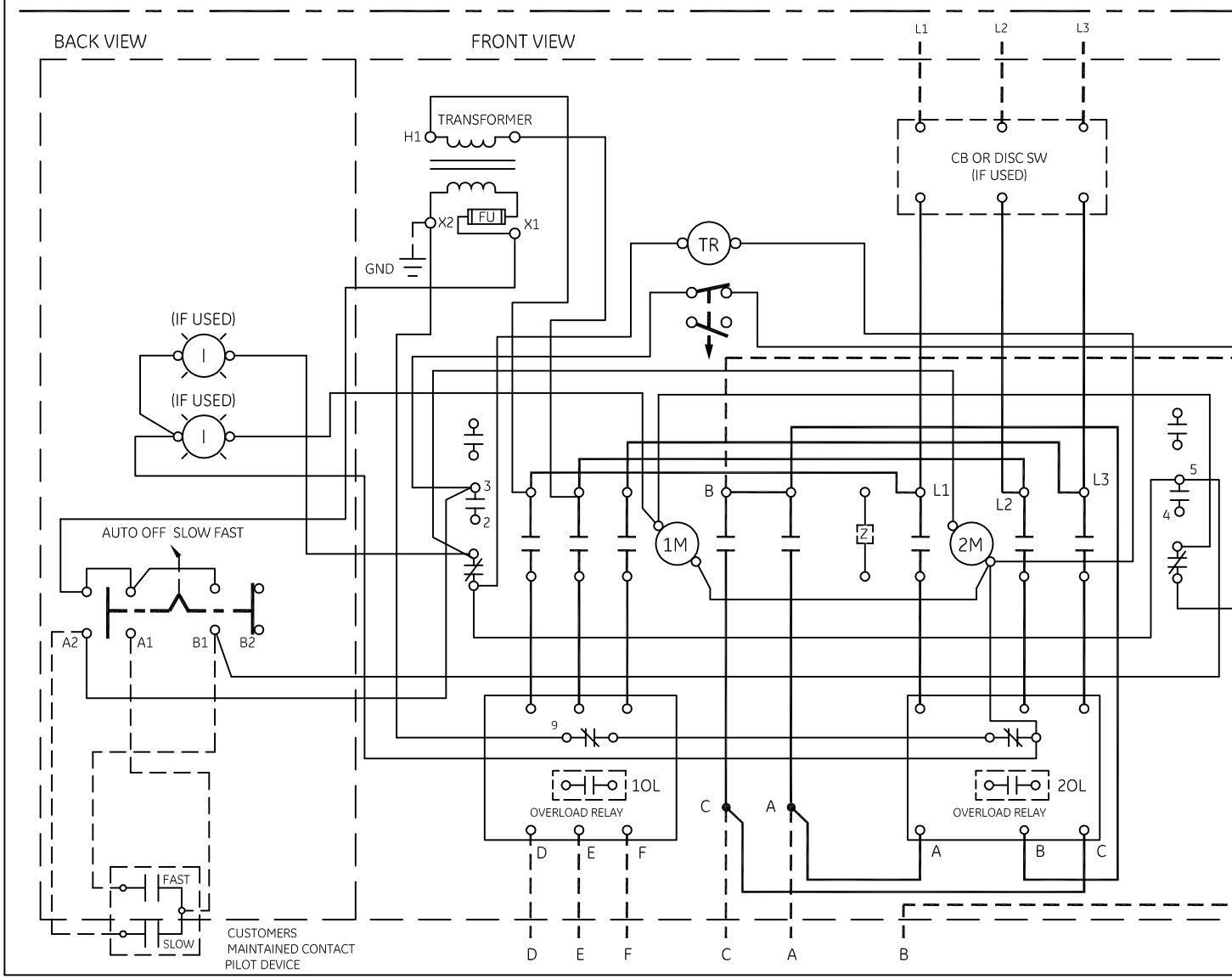
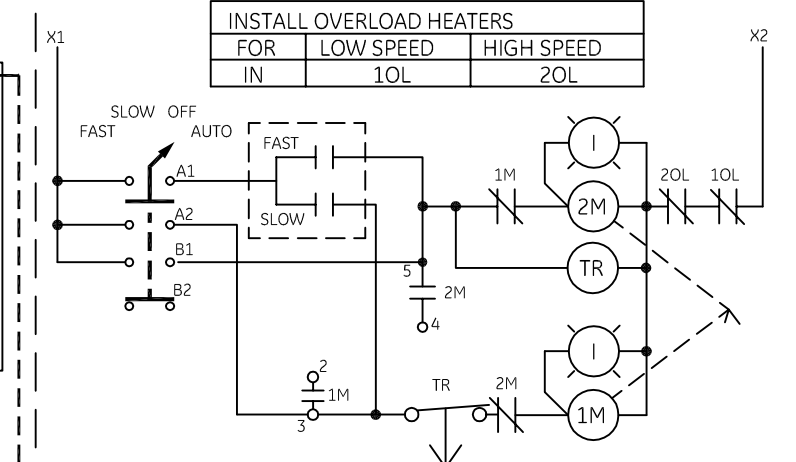
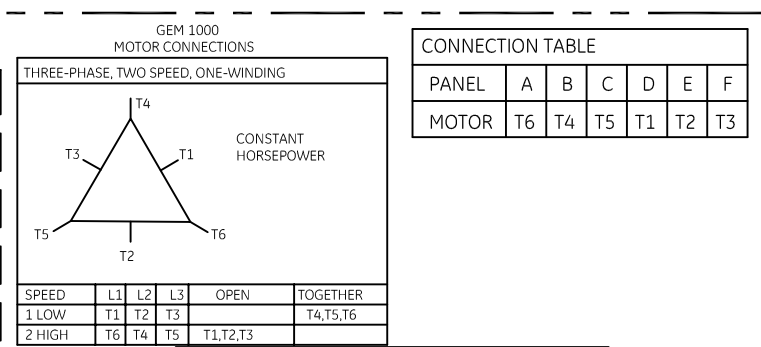
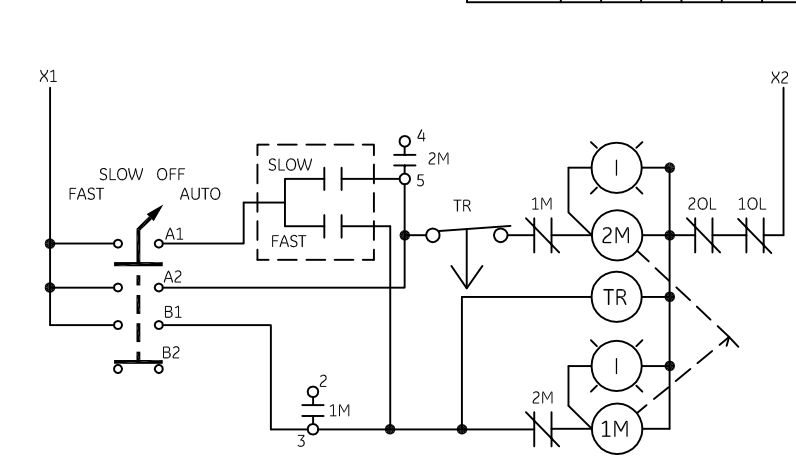


INSTALL OVERLOAD HEATERS

FOR	LOW SPEED	HIGH SPEED
IN	2OL	1OL



-NOMENCLATURE-
 1M&2M-SPEED CONTACTORS MECHANICALLY & ELECTRICALLY INTERLOCKED.
 1OL,2OL-OVERLOAD RELAYS
 I-INDICATING LIGHT
 FU-FUSE

USE 75°C, COPPER CONDUCTORS ONLY, FOR FIELD WIRING. TORQUE LINE AND LOAD TERMINALS AS SHOWN AT RIGHT:	LINE	LOAD
CR309	20 LB-IN	20 LB-IN
CR310	AS MARKED	20 LB-IN
CR311	35 LB-IN	20 LB-IN
CR390	AS MARKED	20 LB-IN

NOTE: ADDITIONAL OVER-CURRENT PROTECTION MAY BE REQUIRED. REFER TO THE NATIONAL ELECTRICAL CODE OR LOCAL ELECTRICAL CODE AS REQUIRED.

ALTERNATIVE LEGENDS FOR FAST AND SLOW ARE HIGH AND LOW.

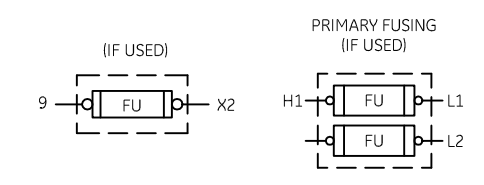
GROUND KIT

1/2-IN CONDUIT	55-213403G001
3/4-IN CONDUIT	55-213403G002
1-IN CONDUIT	55-213403G003
1 1/4-IN CONDUIT	55-213403G004
1 1/2-IN CONDUIT	55-213403G005
2-IN CONDUIT	55-213403G006
2 1/2-IN CONDUIT	55-213403G007
3-IN CONDUIT	55-213403G008

FOR EXTRA AUXILIARY CONTACTS A MAXIMUM OF 1 CONTACT MAY BE ADDED AT POSITION Z.

SELECTOR SWITCH

CONTACT	POSITION			
	FAST	SLOW	OFF	AUTO
A1				X
A2		X		
B1	X			
B2			X	



imagination at work

AN #	THIRD ANGLE PROJECTION	SHEET #	WIRING DIAGRAM 2 SPEED - 1 WINDING SIZE 0 & 1		
09-9115		1 OF 1	DWG NO. 55-531699	DATE 09/08/2009	REV 3