

-NOMENCLATURE-
 A - ACCELERATING TIME DELAY RELAY
 1M&2M-SPEED CONTACTORS MECHANICALLY & ELECTRICALLY INTERLOCKED.
 OL-OVERLOAD RELAYS
 I-INDICATING LIGHT

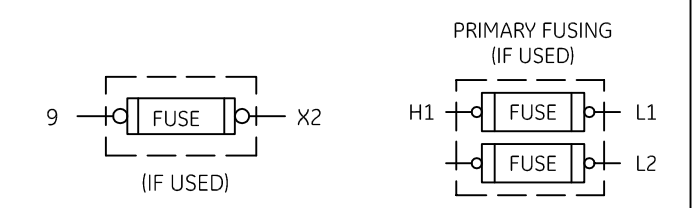
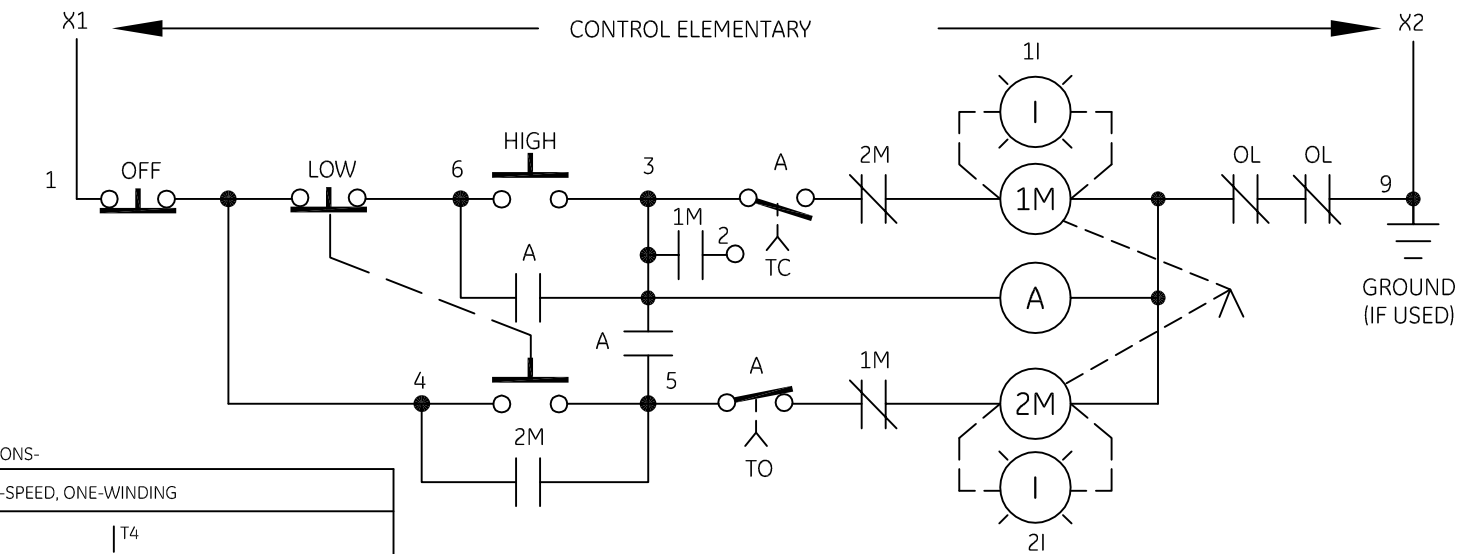
ALTERNATIVE LEGENDS FOR FAST AND SLOW ARE HIGH AND LOW.

NOTE: ADDITIONAL OVER-CURRENT PROTECTION MAY BE REQUIRED. REFER TO THE NATIONAL ELECTRICAL CODE OR LOCAL ELECTRICAL CODE AS REQUIRED.

	LINE	LOAD
CR309	20 LB-IN	20 LB-IN
CR310	AS MARKED	20 LB-IN
CR311	35 LB-IN	20 LB-IN
CR390	AS MARKED	20 LB-IN

GROUND KIT

1/2-IN CONDUIT	55-213403G001
3/4-IN CONDUIT	55-213403G002
1-IN CONDUIT	55-213403G003
1 1/4-IN CONDUIT	55-213403G004
1 1/2-IN CONDUIT	55-213403G005
2-IN CONDUIT	55-213403G006
2 1/2-IN CONDUIT	55-213403G007
3-IN CONDUIT	55-213403G008



-GEM 1000 MOTOR-CONNECTIONS-

CONNECTION TABLE THREE-PHASE, TWO-SPEED, ONE-WINDING											
<p>CONSTANT TORQUE</p>					<p>VARIABLE TORQUE</p>						
SPEED	L1	L2	L3	OPEN	TOGETHER	SPEED	L1	L2	L3	OPEN	TOGETHER
LOW	T1	T2	T3	ALL OTHERS		1 LOW	T1	T2	T3	ALL OTHERS	
HIGH	T6	T4	T5		T1,T2,T3	2 HIGH	T6	T4	T5		T1,T2,T3

INSTALL OVERLOAD HEATERS FOR LOW SPEED HIGH SPEED IN 2OL 1OL

CONNECTION TABLE						
PANEL	A	B	C	D	E	F
MOTOR	T1	T2	T3	T6	T4	T5

GE imagination at work

WIRING DIAGRAM
 2 SPEED - 1 WINDING SIZE 0 & 1

AN #	THIRD ANGLE PROJECTION	SHEET #	DWG NO.	DATE	REV
09-9115		1 OF 1	55-534711	09/07/2009	3