

-NOMENCLATURE-

1M,2M-FAST, SLOW-SPEED CONTACTORS  
MECHANICALLY AND ELECTRICALLY  
INTERLOCKED.  
10L,20L-OVERLOAD RELAY.  
I-INDICATING LIGHT  
TR-TIMING RELAY T.D.O.D.

FACTORY SUPPLIED PILOT DEVICES ARE  
WIRED FOR CONSTANT AND VARIABLE TORQUE  
MOTORS AS SHOWN. IN CONSTANT HP MOTORS  
CONTACT FACTORY FOR INSTRUCTIONS.

USE 75°C, COPPER CON-  
DUCTORS ONLY, FOR FIELD  
WIRING. TORQUE LINE AND  
LOAD TERMINALS AS  
SHOWN AT RIGHT:

	LINE	LOAD
CR309	20 LB-IN	20 LB-IN
CR310	AS MARKED	20 LB-IN
CR311	35 LB-IN	20 LB-IN
CR390	AS MARKED	20 LB-IN

ALTERNATIVE LEGENDS FOR FAST AND SLOW  
ARE HIGH AND LOW.

NOTE: ADDITIONAL OVER-CURRENT PROTECTION  
MAY BE REQUIRED. REFER TO THE  
NATIONAL ELECTRICAL CODE OR LOCAL  
ELECTRICAL CODE AS REQUIRED.

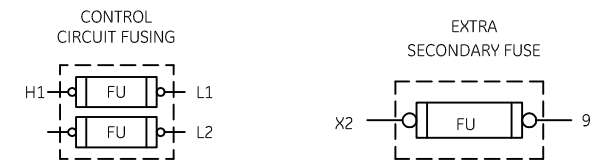
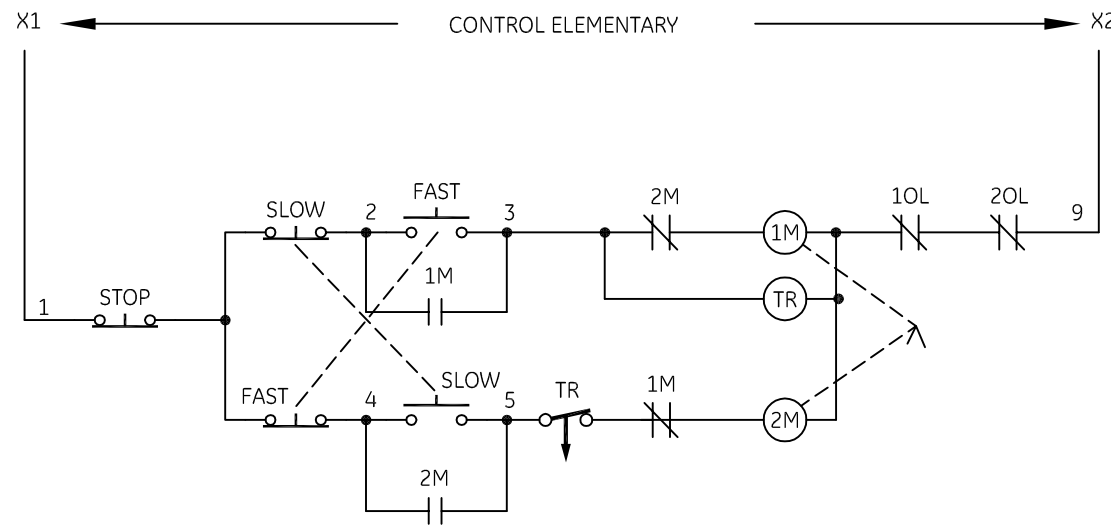
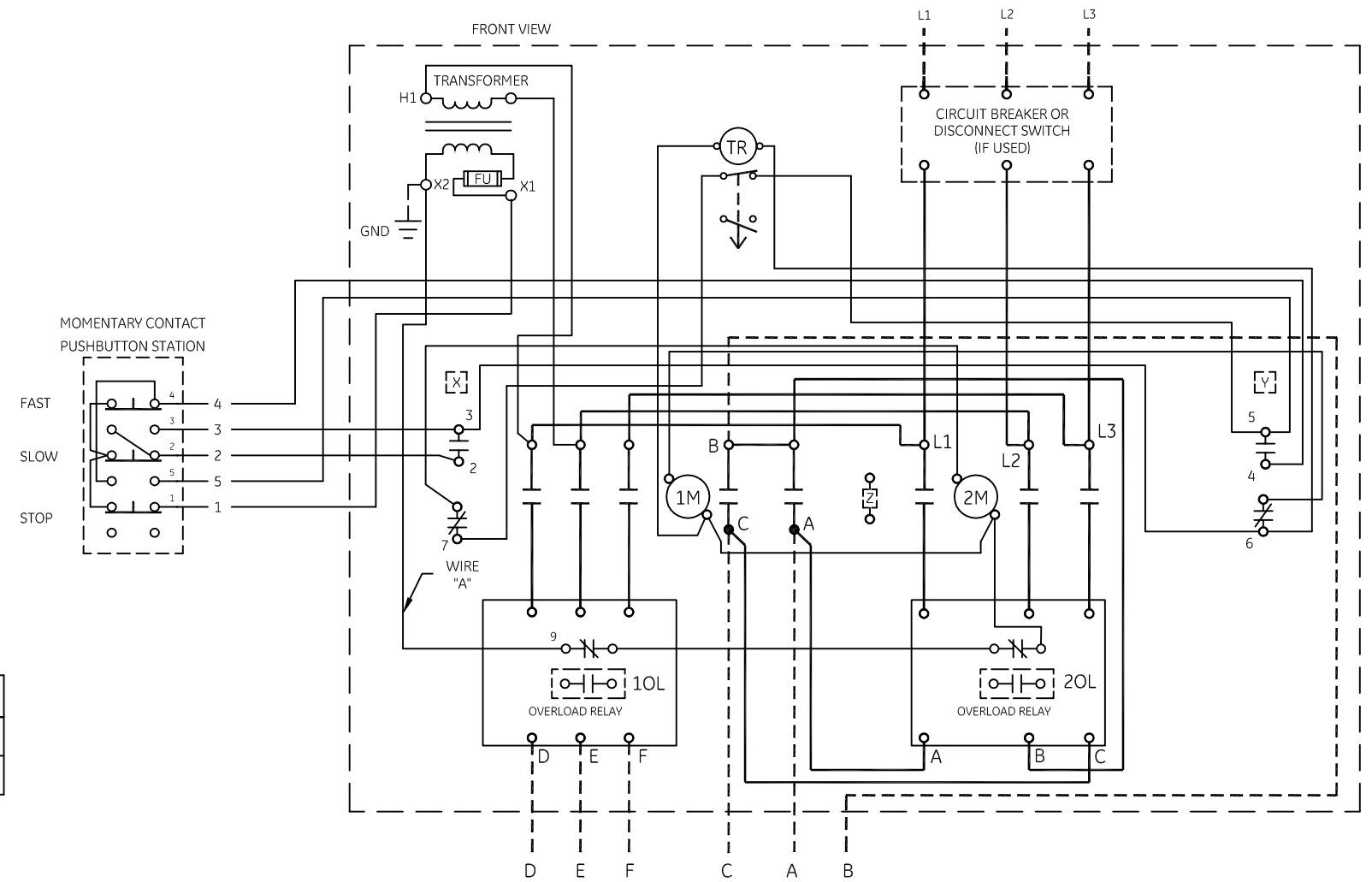
GROUND KIT

1/2-IN CONDUIT	55-213403G001
3/4-IN CONDUIT	55-213403G002
1-IN CONDUIT	55-213403G003
1 1/4-IN CONDUIT	55-213403G004
1 1/2-IN CONDUIT	55-213403G005
2-IN CONDUIT	55-213403G006
2 1/2-IN CONDUIT	55-213403G007
3-IN CONDUIT	55-213403G008

FOR EXTRA AUXILIARY CONTACTS A MAXIMUM  
OF 3 CONTACTS MAY BE ADDED AT POSITIONS  
X,Y & Z.

MOTOR CONNECTIONS	SPEED	L1	L2	L3	OPEN	TOGETHER
CONSTANT TORQUE	SLOW	T1	T2	T3	T6,T4,T5	T1,T2,T3
	FAST	T6	T4	T5		
VARIABLE TORQUE	SLOW	T1	T2	T3	T6,T4,T5	T1,T2,T3
	FAST	T6	T4	T5		

CONNECTION TABLE	CONTROLLER TERMINALS					
	A	B	C	D	E	F
CONSTANT TORQUE	T1	T2	T3	T6	T4	T5
VARIABLE TORQUE	T1	T2	T3	T6	T4	T5



imagination at work

WIRING DIAGRAM  
2 SPEED - 1 WINDING SIZE 0 & 1

AN #	THIRD ANGLE PROJECTION	SHEET #	DWG NO.	DATE	REV
09-9115		1 OF 1	55-536327	09/09/2009	3