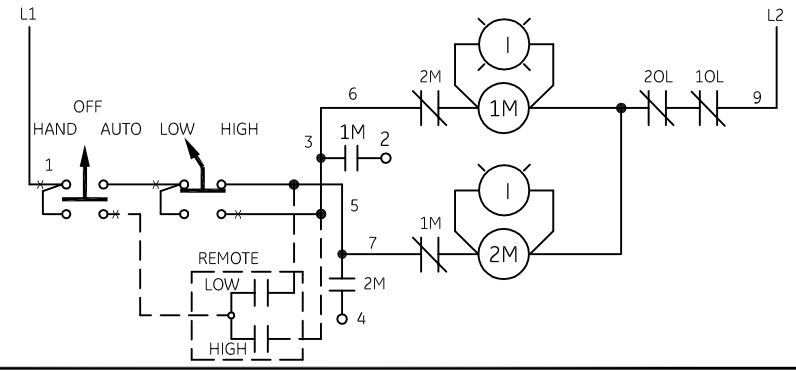


INSTALL OVERLOAD HEATERS FOR

FOR	LOW SPEED	HIGH SPEED
IN	2OL	1OL

CONNECTION TABLE

PANEL	A	B	C	D	E	F
MOTOR	T1	T2	T3	T6	T4	T5



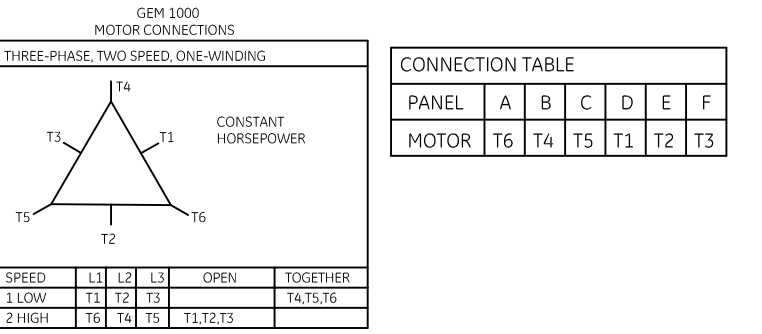
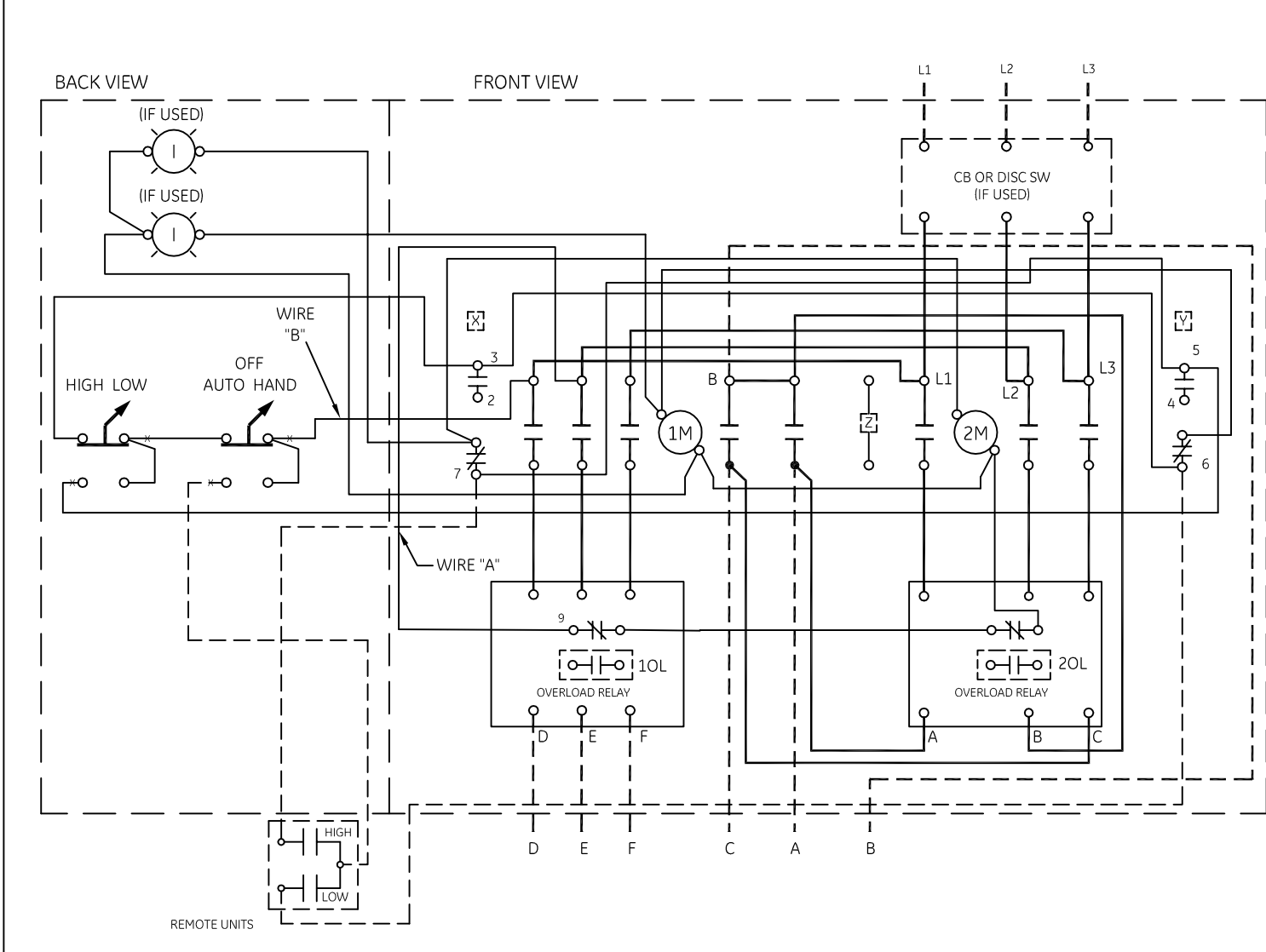
-NOMENCLATURE-  
 1M&2M-SPEED CONTACTORS MECHANICALLY & ELECTRICALLY INTERLOCKED.  
 1OL,2OL-OVERLOAD RELAYS  
 I-INDICATING LIGHT  
 FU-FUSE  
 X-INDICATES CONTACT CLOSED

ALTERNATE LEGENDS FOR FAST AND SLOW ARE HIGH AND LOW

FOR SEPARATE CONTROL SOURCE - REMOVE WIRES "A" & "B" AND CONNECT CONTROL SOURCE TO 9 ON OL AND TO 1 ON PILOT DEVICE. WIRES "A" & "B" HAS BEEN OMITTED AT FACTORY ON ALL FORMS HAVING A COIL VOLTAGE OF 120V OR LESS.

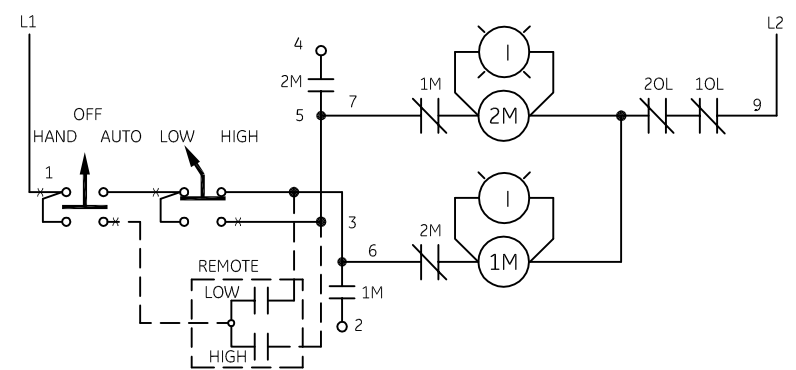
	LINE	LOAD
USE 75°C. COPPER CONDUCTORS ONLY, FOR FIELD WIRING. TORQUE LINE AND LOAD TERMINALS AS SHOWN AT RIGHT:	CR309 20 LB-IN	20 LB-IN
	CR310 AS MARKED	20 LB-IN
	CR311 35 LB-IN	20 LB-IN
	CR390 AS MARKED	20 LB-IN

NOTE: ADDITIONAL OVER-CURRENT PROTECTION MAY BE REQUIRED. REFER TO THE NATIONAL ELECTRICAL CODE OR LOCAL ELECTRICAL CODE AS REQUIRED.



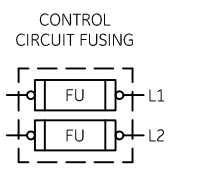
INSTALL OVERLOAD HEATERS FOR

FOR	LOW SPEED	HIGH SPEED
IN	1OL	2OL



GROUND KIT

1/2-IN CONDUIT	55-213403G001
3/4-IN CONDUIT	55-213403G002
1-IN CONDUIT	55-213403G003
1 1/4-IN CONDUIT	55-213403G004
1 1/2-IN CONDUIT	55-213403G005
2-IN CONDUIT	55-213403G006
2 1/2-IN CONDUIT	55-213403G007
3-IN CONDUIT	55-213403G008



WIRING DIAGRAM  
 2 SPEED - 1 WINDING SIZE 0 & 1

AN #	THIRD ANGLE PROJECTION	SHEET #
09-9115		1 OF 1

DWG NO.	DATE	REV
55-536359	09/09/2009	4