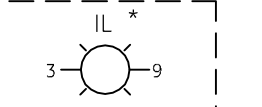


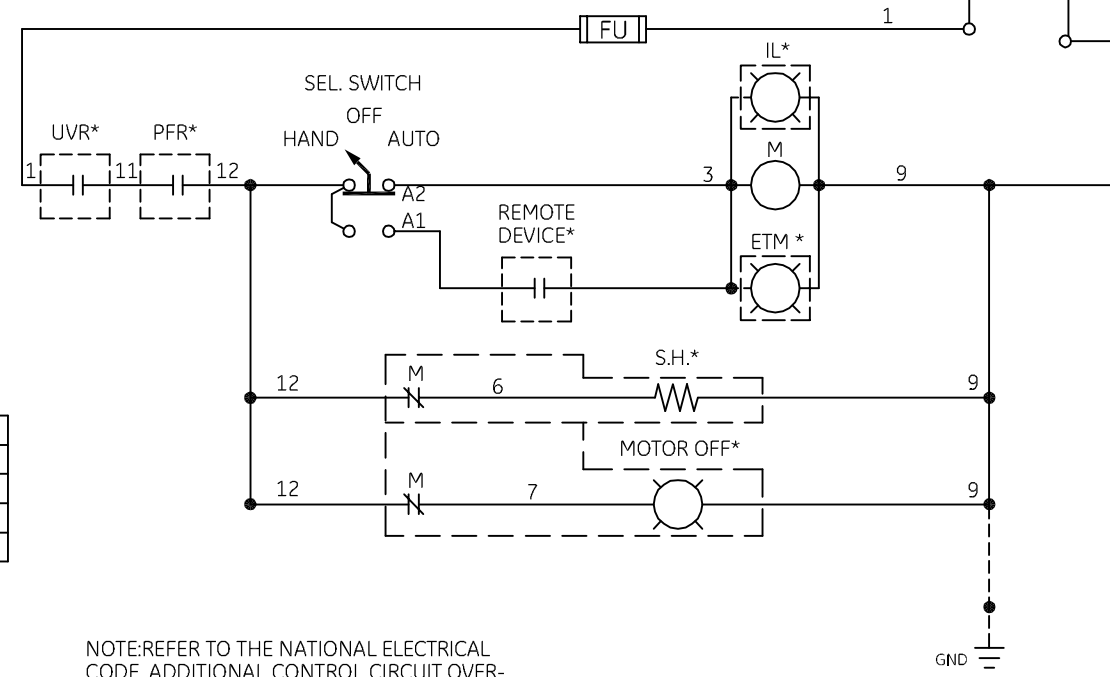
(REAR VIEW)



DISCONNECT MEANS
CIRCUIT BREAKER
OR
FUSIBLE SWITCH

SEL. SWITCH
OFF
AUTO
HAND

REMOTE *
DEVICE



SELECTOR SWITCH

CONTACT	POSITION		
	AUTO	OFF	HAND
A1	X		
A2			X

X-INDICATES CONTACT CLOSED

NOMENCLATURE

- CCF CONTROL CIRCUIT FUSING
- CPT CONTROL POWER TRANSFORMER
- FU FUSE
- IL INDICATING LIGHT
- M MOTOR CONTACTOR
- PB PUSHBUTTON
- PFR PHASE FAILURE RELAY
- UVR UNDERVOLTAGE RELAY
- * IF USED
- ETM ELAPSED TIME METER
- S.H. SPACE HEATER
- G GREEN IND. LIGHT
- R RED IND. LIGHT

NOTE:REFER TO THE NATIONAL ELECTRICAL CODE. ADDITIONAL CONTROL CIRCUIT OVER-CURRENT PROTECTION MAY BE REQUIRED.

FOR SEPARATE CONTROL-CPT,FUSE,WIRES 1 AND 9 ARE NOT FURNISHED. CONNECT SEPARATE CONTROL SOURCE TO M COIL AND UVR (IF USED),PFR(IF USED) OR SELECTOR SWITCH.

SELECTOR SWITCH MAY NOT BE INCLUDED ON SOME FORMS

** FOR THREE PHASE USE 3 HEATERS. FOR SINGLE PHASE USE 2 HEATERS AND CONNECT LINES TO L1 AND L3. LOAD TO T1 AND T3. MOVE WIRE "A" FROM L2A TO L3A.

OPTIONS

PFR*

11	12
1	2
NO	C

OUTPUTS

PFPR

A	B	C
---	---	---

INPUTS

L1B L2B L3B

UVR*

L1B L3B

CCF*

2 OR 3 FUSES

L1A L1B

L2A L2B

L3A L3B

SPACE HEATER *

12 M 6 S.H. 9

ETM*

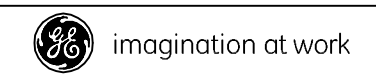
3 ETM 9

MOTOR OFF 1L*

12 M 7 9

USE 75°C. COPPER CONDUCTORS ONLY. FOR FIELD WIRING. TORQUE LINE AND LOAD TERMINALS AS SHOWN AT RIGHT:

SIZE	CR340		CR341	
	LINE	LOAD	LINE	LOAD
1	AS MARKED	20 LB-IN	35 LB-IN	20 LB-IN
2	AS MARKED	50 LB-IN	50 LB-IN	50 LB-IN
3	AS MARKED	150 LB-IN	50 LB-IN	150 LB-IN
4	AS MARKED	200 LB-IN	275 LB-IN	200 LB-IN
5	AS MARKED	300 LB-IN	AS MARKED	300 LB-IN



WIRING DIAGRAM
PUMP PANEL (CR340, 341)

AN #	THIRD ANGLE PROJECTION	SHEET #	DWG NO.	DATE	REV
09-9121		1 OF 1	55-536635	10/06/2009	2