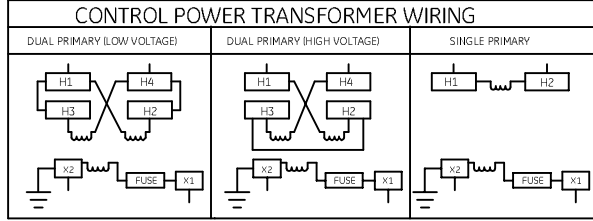
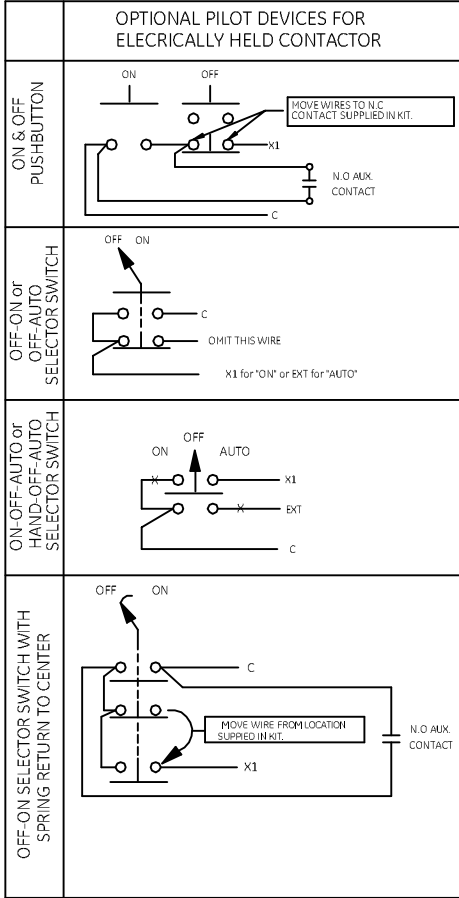
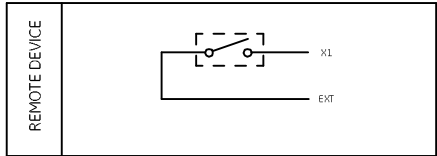
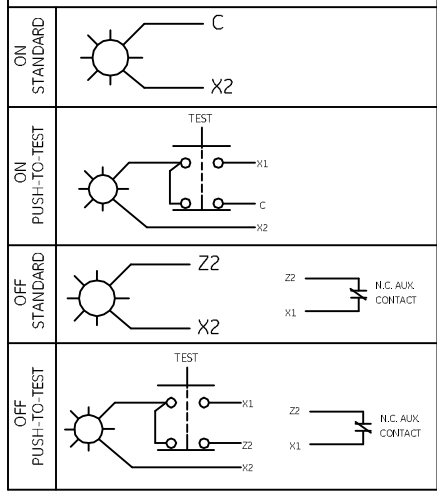


OPTIONAL PILOT LIGHTS FOR ELECTRICALLY HELD CONTACTOR



CR463L ELECTRICALLY HELD CONTACTOR W IRING OPTIONS

NOTE: REFER TO THE NATIONAL ELECTRIC CODE OR LOCAL ELECTRIC CODE AS REQUIRED.

ADDITIONAL OVER-CURRENT PROTECTION FOR CONTROL CIRCUIT MAY BE REQUIRED

WHEN COIL AND LINE VOLTAGES ARE SAME, THE CONTROL VOLTAGE MAY BE DERIVED FROM THE LINE FOR SUPPLY

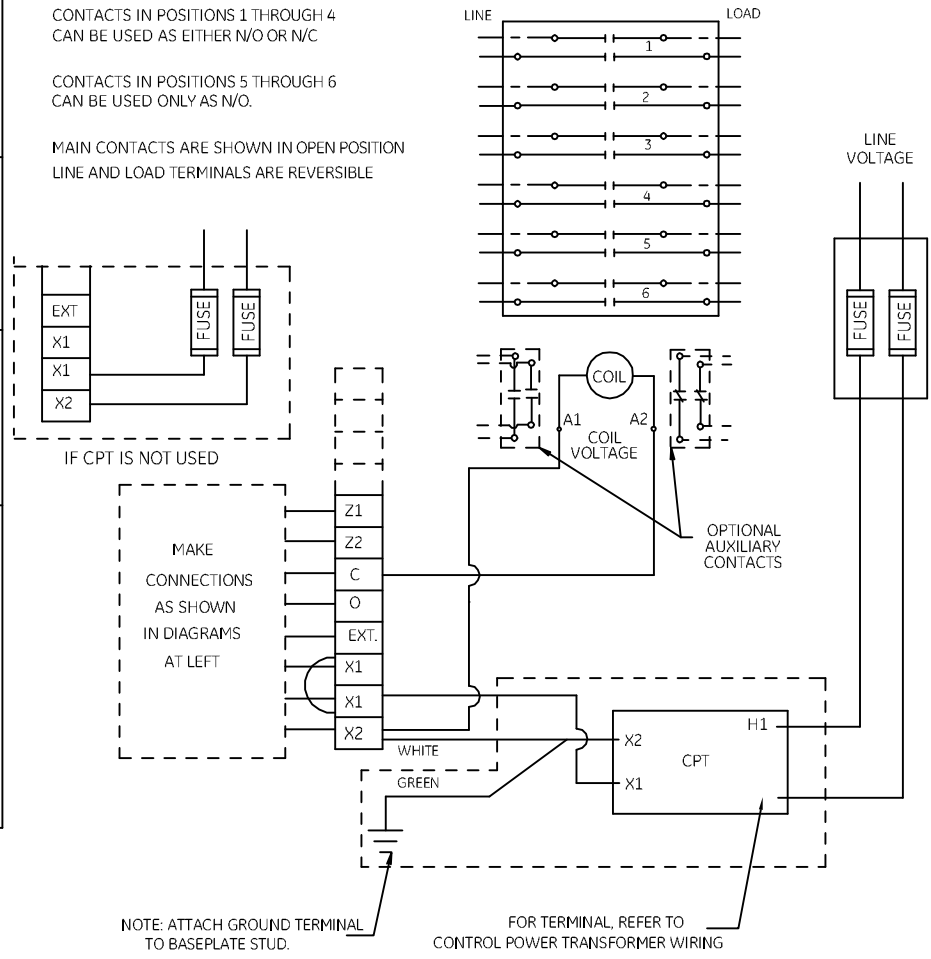
USE 75°C COPPER CONDUCTORS ONLY FOR FIELD WIRING.
 TORQUE LINE AND LOAD TERMINALS TO 35 LB.IN.
 POWER TERMINALS : #14-#8A WG (#8 STRANDED ONLY) COPPER, SINGLE OR PARALLEL CONDUCTORS OF ANY COMBINATION
 COIL AND MODULE TERMINALS : #18-#14 AWG COPPER, SINGLE OR PARALLEL CONDUCTORS OF ANY COMBINATION
 AUXILIARY CONTACT TERMINALS : #22-#12A WG COPPER, SINGLE OR PARALLEL CONDUCTORS OF ANY COMBINATION

FOR CSA-GND KIT
 1/2-IN CONDUIT 55-213403G001 3/4-IN CONDUIT 55-213403G002
 1-IN CONDUIT 55-213403G003 1 1/4-IN CONDUIT 55-213403G004
 1 1/2-IN CONDUIT 55-213403G005 2-IN CONDUIT 55-213403G006
 2 1/2-IN CONDUIT 55-213403G007 3-IN CONDUIT 55-213403G008

CONTACTS IN POSITIONS 1 THROUGH 4 CAN BE USED AS EITHER N/O OR N/C

CONTACTS IN POSITIONS 5 THROUGH 6 CAN BE USED ONLY AS N/O.

MAIN CONTACTS ARE SHOWN IN OPEN POSITION
 LINE AND LOAD TERMINALS ARE REVERSIBLE



AN #	THIRD ANGLE PROJECTION	SHEET #
10-9123		1 OF 1

GE imagination at work

WIRING DIAGRAM
CR463L LIGHTING CONTACTOR

DWG NO.	DATE	REV
55-537555	07/13/2009	4