

DUAL DIMENSIONS INCHES [MILLIMETERS] (ESTIMATING ONLY)

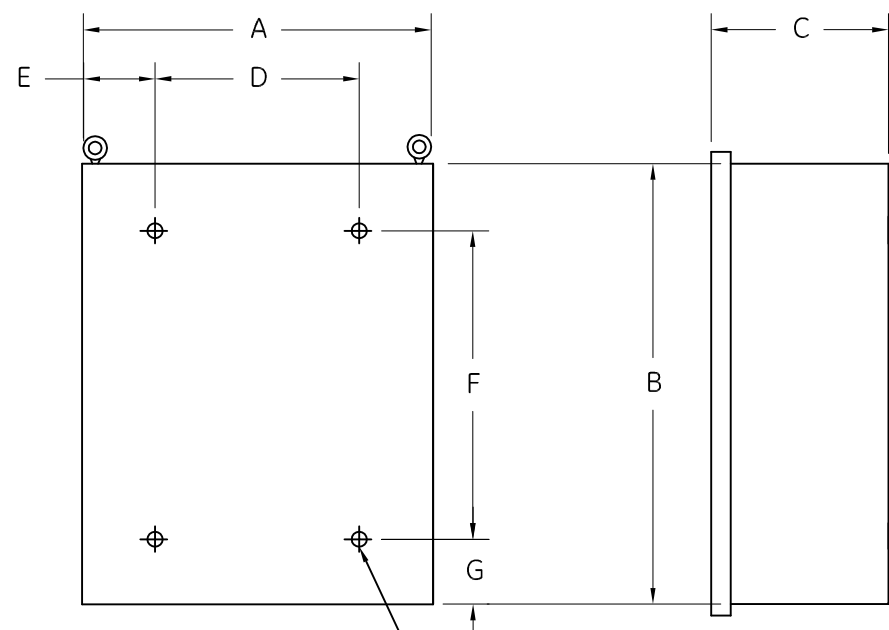


FIGURE 1
FRONT VIEW WITHOUT DOOR SIDE
H ENCLOSURE MOUNTING HOLE DIA

FIGURE 1 NOTES

- ① ② ③ NEMA 1
1. REMOVABLE SINGLE DOOR, HINGED ON RIGHT SIDE, SINGLE CENTER LATCH WITH CAPTIVE SCREWS ON TOP AND BOTTOM.

NEMA 1 ENCLOSURE									
AMP SIZE	FIG NO	DIMENSIONS							
		A	B	C	D	E	F	G	H
400	1	18.00 [457.2]	48.00 [1219.2]	13.00 [330.2]	15.00 [381.0]	1.50 [38.1]	45.00 [1143.0]	1.50 [38.1]	0.37 [9.4]
600-1000		34.00 [863.6]	72.00 [1828.8]	20.00 [508.0]	N/A	N/A	N/A	N/A	N/A

SIZES OF UL LISTED SOLDERLESS SCREW TYPE TERMINALS FOR EXTERNAL LINE AND LOAD CONNECTIONS

SWITCH RATING (AMPS)	RANGE OF AL-CU WIRE SIZES (LINE & LOAD)	RANGE OF CU WIRE SIZES (CONTROL CONNECTIONS 1, 2 & 3)
400	TWO #1/0 AWG TO 250 MCM OR ONE #4 AWG TO 600 MCM	ONE #14 TO 10 AWG
600	TWO #2 AWG TO 600 MCM	
800-1000	FOUR #1/0 AWG TO 750 MCM	

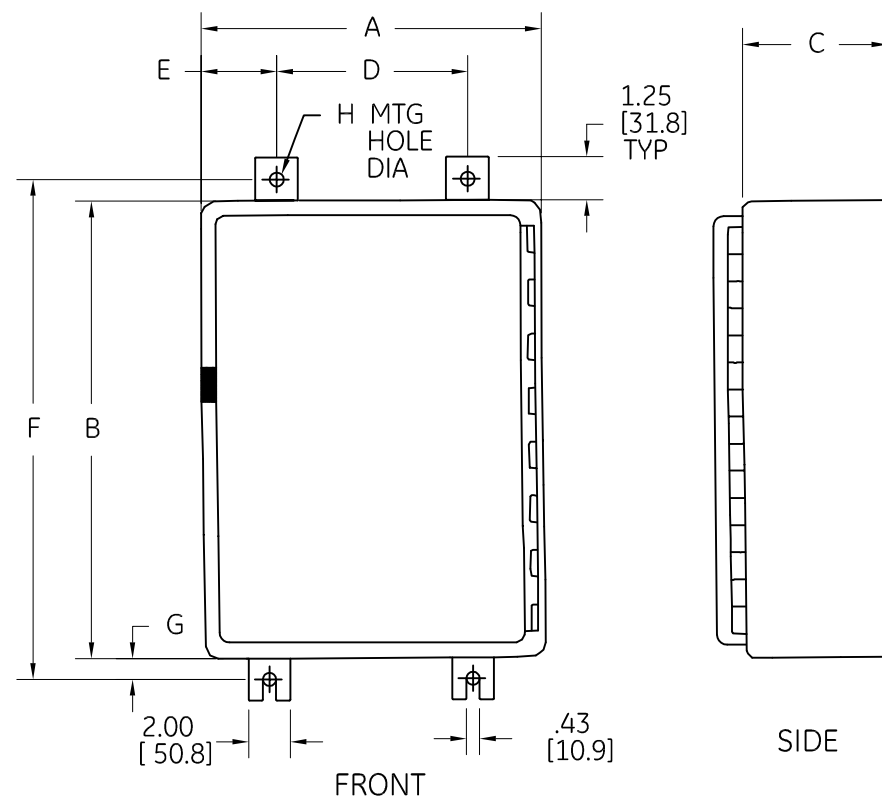


FIGURE 2

GENERAL NOTES (FIGURES 1 & 2)

1. ENCLOSURES CONSTRUCTED IN ACCORDANCE WITH UL STANDARD 508.
2. STANDARD FINISH-LIGHT GREY ANSI #61.
3. WIDTH, HEIGHT, AND DEPTH DIMENSIONS ON FIG. 1 ARE INSIDE DIMENSIONS, OUTSIDE DIMENSIONS ON FIG. 2.
4. REFER TO COMPOSITE DRAWINGS :
55-537581 FOR WIRING DIAGRAM.
55-537582 FOR OPEN TYPE DIMENSIONS.
55-537583 FOR AUX. RELAY DIMENSIONS.
5. AN OPERATOR'S MANUAL IS FURNISHED WITH EACH REMOTE CONTROL SWITCH, REFER TO THIS PUBLICATION PRIOR TO INSTALLATION AND OPERATION OF THE SWITCH.

FIGURE 2 NOTES

- NEMA 3R, 4 AND 12
1. SINGLE DOOR HINGED ON RIGHT SIDE WITH PADLOCK HASP, PLATED DOOR CLAMPS ON THREE (3) SIDES FOR TYPE 4. AND ONE (1) SIDE FOR TYPE 3R & 12.
 2. FULL WIRING GUTTERS PROVIDED TOP AND BOTTOM.
 3. NO KNOCKOUTS PROVIDED.
 4. 600-1000 AMP ENCLOSURES PROVIDED WITH EYE BOLTS FOR LIFTING. (1.00" MIN. INSIDE DIAMETER)

NEMA 3R, 4, AND 12 ENCLOSURES

AMP SIZE	FIG NO	DIMENSIONS							
		A	B	C	D	E	F	G	H
400	2	18.00 [457.2]	48.00 [1219.2]	13.00 [330.2]	12.00 [304.8]	3.00 [76.2]	49.25 [1250.9]	.62 [15.7]	.43 [10.9]
600-1000		34.00 [863.6]	75.00 [1905.0]	20.00 [508.0]	N/A	N/A	N/A	N/A	N/A

AMP SIZE	NET WEIGHT POUNDS (KG)	
	NEMA 1	NEMA 3R, 4 & 12
400	107 (49)	122 (55)
600-1000	475 (215.5)	475 (215.5)

AN #	THIRD ANGLE PROJECTION	SHEET #	DWG NO.			DATE	REV
09-9107		1 OF 1	55-537584			07/31/2009	1

imagination at work

OUTLINE
CR360ML LIGHTING CONTACTOR ENCLOSED