

IMPORTANT NOTE: -
WHEN ANY SHEET OF THIS DRAWING IS REVISED, ALL SHEETS MUST BE UPDATED TO CARRY THE SAME REVISION NUMBER.

- NOMENCLATURE**
- M2 OUTPUT CONTACTOR
 - INVTR INVERTER
 - LT INDICATING LIGHT
 - E-STOP EMERGENCY STOP PUSH BUTTON
 - CPT CONTROL POWER TRANSFORMER
 - FU CPT PRIMARY FUSE
 - SFU CPT SECONDARY FUSE
 - DSCW DISCONNECT
 - CTB1 CONTROL TERMINAL BOARD
 - RLY RELAY
 - SSW SELECTOR SWITCH
 - S201&S201 SWITCH (PART OF DRIVE)
 - FSBLK1 FUSE BLOCK
 - SPDPOT SPEED POTENTIOMETER
 - ETM ELAPSED TIME METER
 - C1 CONTACTOR FOR CAPACITOR PANEL
 - LDR LOAD REACTOR
 - ACR AC LINE REACTOR
 - C1TMR TIME DELAY RELAY
 - DB DYNAMIC BREAKING CHOPPER
 - PTB POWER TERMINAL BOARD
 - PB PUSH BUTTON

FOR CSA GROUND KIT, ORDER KIT NUMBER FROM THE FOLLOWING TABLE:

CONDUIT SIZE	KIT NUMBER
1/2-IN CONDUIT	55-213403G001
3/4-IN CONDUIT	55-213403G002
1-IN CONDUIT	55-213403G003
1 1/4-IN CONDUIT	55-213403G004
1 1/2-IN CONDUIT	55-213403G005
2-IN CONDUIT	55-213403G006
2 1/2-IN CONDUIT	55-213403G007

- LEGEND**
- CUSTWIRE CUSTOMER LOW LEVEL WIRING < 50V
 - CUSTWIRE CUSTOMER HIGH LEVEL WIRING > 50V THRU 125V
 - CUSTWIRE CUSTOMER POWER WIRING > 125V
 - DOOR MOUNTED COMPONENT
 - REMOTE MOUNTED COMPONENT
 - △ FACTORY WIRED JUMPER

- CONTROL WIRING**
- 20 LINE VOLTAGE CONTROL WIRING N50KC41JA #14 BLACK
 - 21 CPT VOLTAGE CONTROL WIRING N50KC41HC #16 RED
 - 22 N50KC41HB #16 WHITE (WIRE 28)
 - 23 CPT GROUND WIRING 55-216961P006 #14 GREEN&YELLOW
 - 24 24V DRIVE CONTROL WIRING N50KC41HF #16 BLUE
 - 25 DRIVE GROUND WIRING VARIES BY RATINGS. REFER TO BILL OF MATERIAL
- POWER WIRING**
- 26 VARIES BY RATINGS. REFER TO BILL OF MATERIAL
 - 27 VARIES BY RATINGS. REFER TO BILL OF MATERIAL
 - 28 USE 75°C COPPER CONDUCTORS ONLY, FOR FIELD WIRING. TORQUE LINE AND LOAD TERMINALS AS MARKED ON COMPONENT INSTRUCTION SHEET

- NOTES:**
1. DC LINK REACTOR (DCR) IS BUILT INTO THE DRIVE.
 2. DB RESISTORS NOT INCLUDED, DB CHOPPER SIZED FOR 10% DUTY CYCLE.
 3. - 'POWER ON' LT1 - 'DRIVE FAULT' LT3 - 'ENABLE' LT7 - 'DRIVE RUN' LT5

INDICATING LIGHTS ARE INCLUDED IN THE BASIC INDICATING LIGHT GROUP OPTION

REVISIONS

REV	DESCRIPTION	DATE
6	AN 11-2005	05/18/11

UNLESS OTHERWISE SPECIFIED	SIGNATURES	DATE
DIMENSIONS ARE IN INCHES TOLERANCES ON: 2 PL DECIMALS ± 3 PL DECIMALS ± ANGLES ± FRACTIONS ±	DRAWN ANANTVIJAY CHECKED ENGRG ISSUED	06/30/09 10/26/10

GE Industrial Systems

LOCATION: MONTERREY, MX

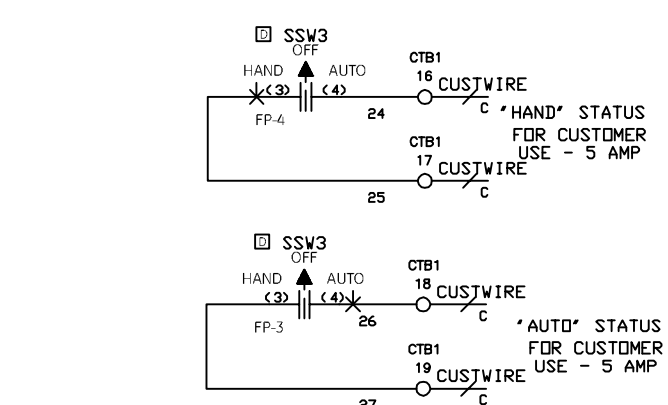
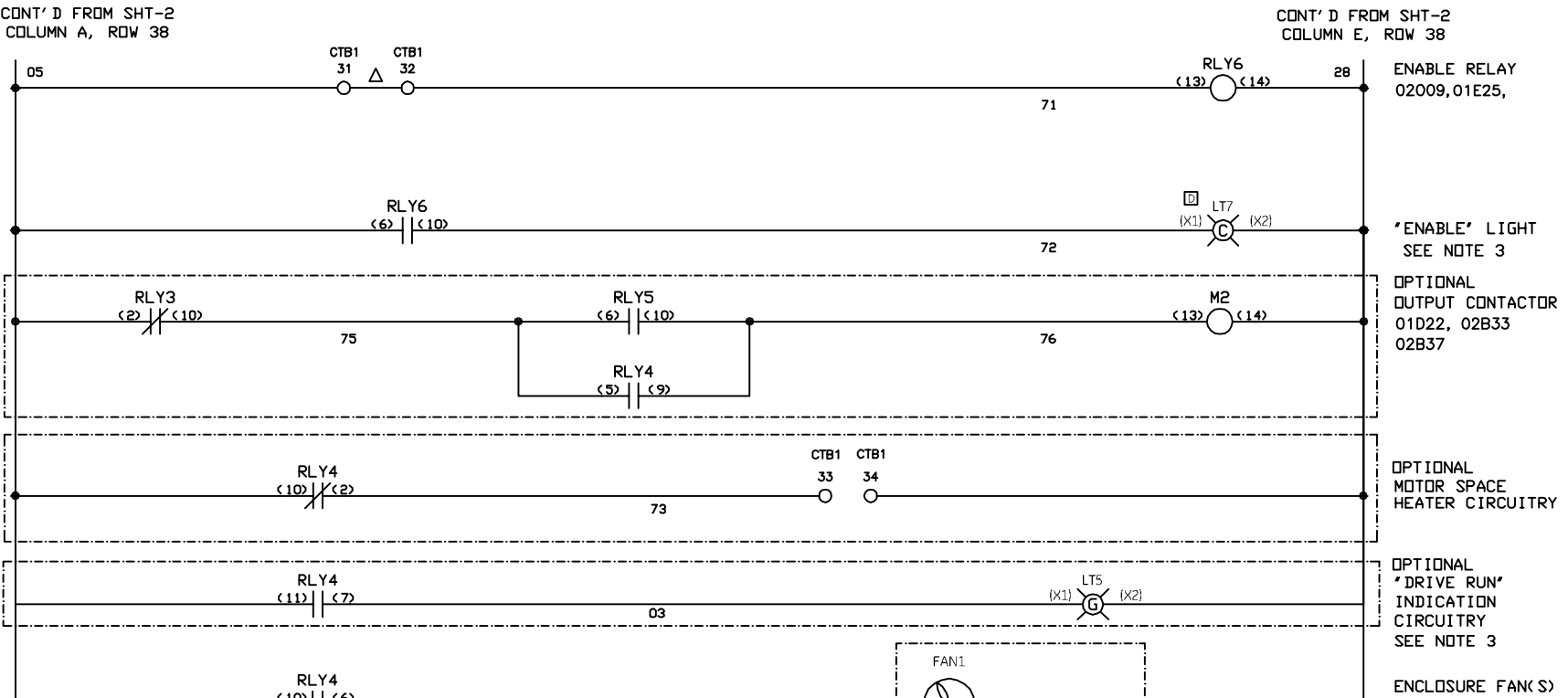
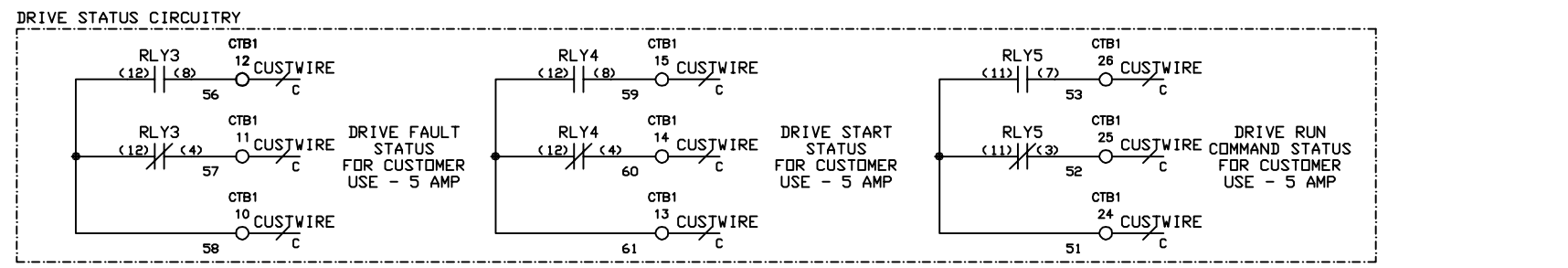
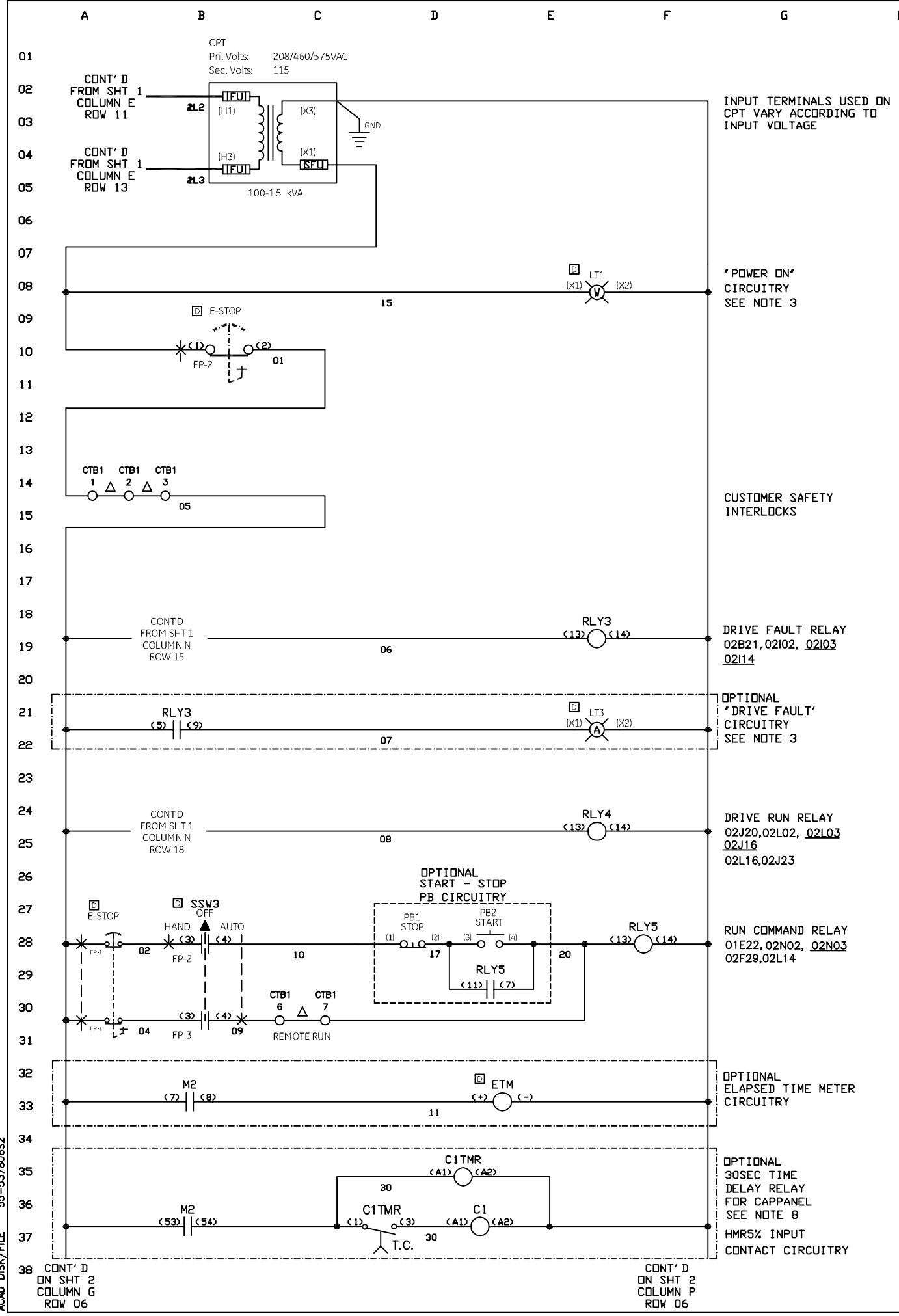
ELEMENTARY & CONNECTION DRAWING

FIRST MADE FOR AF-650 GP INDUSTRIAL CHANNEL NON-BYP DRIVE
2 to 50HP @ 208V, 2 to 300HP @ 460V, 2 to 100HP @ 575V

AUTOMATION TOOL REV FORMERLY
BASED ON 55-537806s1 REV 6 TOL. PER

SIZE B DWG No 55-537806 # 5110NXXXXXXXXXX
SCALE SHEET 1 CONT 2

ACAD_DISK_FILE 55-537806S1



IMPORTANT NOTE: -
WHEN ANY SHEET OF THIS DRAWING IS REVISED, ALL SHEETS MUST BE UPDATED TO CARRY THE SAME REVISION NUMBER.

REVISIONS			UNLESS OTHERWISE SPECIFIED	SIGNATURES	DATE
REV	DESCRIPTION	DATE	DIMENSIONS ARE IN INCHES TOLERANCES ON: 2 PL DECIMALS ± 3 PL DECIMALS ± ANGLES ± FRACTIONS ±	DRAWN ANANTV/JAY	06/30/09
6	AN 11-2005	05/18/11		CHECKED	
				ENGRG	
				ISSUED	10/26/10
			GE Industrial Systems <small>LOCATION: MONTERREY, MX</small>		
			ELEMENTARY & CONNECTION DRAWING		
			FIRST MADE FOR	AF-650 GP INDUSTRIAL CHANNEL NON-BYP DRIVE 2 to 50HP @ 200V, 2 to 300HP @ 460V, 2 to 100HP @ 575V	
			AUTOMATION-TOOL-REV	FORMERLY	SIZE B
			BASED ON 55-537806s2 REV 6	TOL. PER	DWG NO 55-537806 # 5110NXXXXXXXXXX
				SCALE	SHEET 2 CONT FL

ACAD_DISK_FILE 55-537806S2