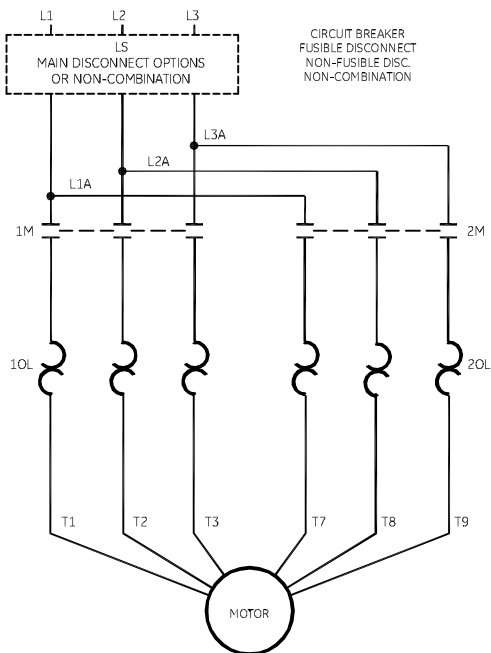


SIZE	POWER WIRE BLACK
330C	N50KC45LA #10
330D	N50KC45NA #6
330E	N50KC45RA #2
330F	N50KC45TA #1/0

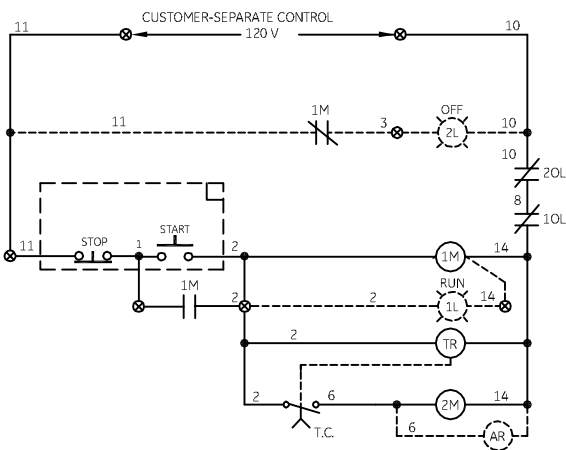


**POWER WIRING (SEE TABLE)**

- L1A TB OR LS,1M
- L2A TB OR LS,1M
- L3A TB OR LS,1M
- L1A TB OR LS,2M
- L2A TB OR LS,2M
- L3A TB OR LS,2M

**CONTROL WIRING**

120 VOLT CONTROL WIRING  
N50KC41JC #14 RED



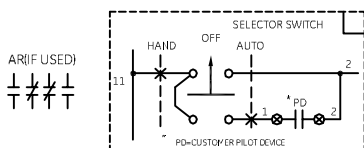
- NOMENCLATURE (IF ORDERED)**
- CPT CONTROL POWER TRANSFORMER
  - FU FUSE
  - 1L,2L INDICATING LIGHT
  - LS LINE SWITCH
  - 1M,2M LINE CONTACTORS
  - OL OVERLOAD RELAYS
  - PB PUSH-BUTTON
  - SS SELECTOR SWITCH
  - TB TERMINAL BOARD
  - T.C. TIME CLOSING CONTACTS TRV
  - TR PNEUMATIC TIMING RELAY

USE 75°C COPPER CONDUCTORS ONLY FOR FIELD WIRING. TORQUE LINE AND LOAD TERMINALS AS MARKED OR AS SHOWN AT RIGHT.

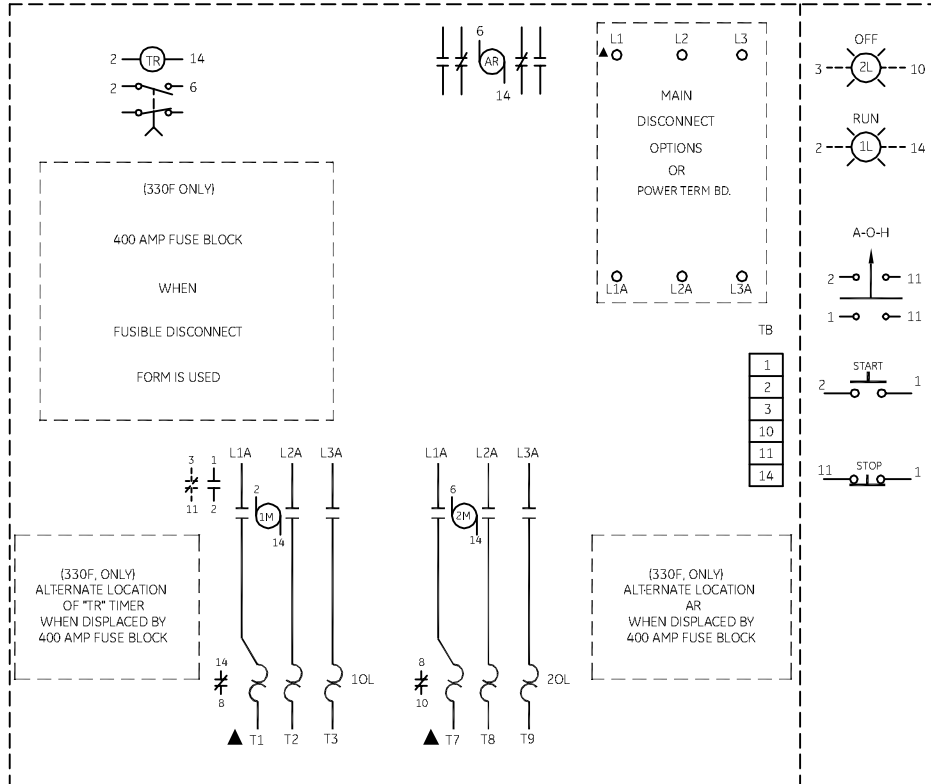
NECA SIZE	STARTER LINE & LOAD
1	20 LB-IN
2	30 LB-IN
3	150 LB-IN
4	200 LB-IN

TIMER (TR) IS SET FOR TWO SECONDS. FOR SETTINGS EXCEEDING FIVE SECONDS, REFER TO MOTOR MANUFACTURER.

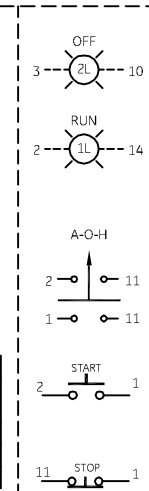
FOR HAND-OFF-AUTO CONTROL WITH PILOT DEVICE, DISCONNECT WIRE FROM TB POINT 1 AND RECONNECT TO TB POINT 2 AND WIRE AS SHOWN BELOW.



**PANEL (FRONT VIEW)**



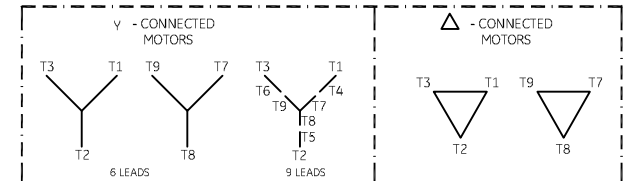
**ENCLOSURE FLANGE (IF ORDERED) REAR VIEW**



**CUSTOMER CONNECTIONS**

FOR CSA GRINDING WHEEL

CONDUIT SIZE	#TERMINALS
1/2" IN CONDUIT	55-114-202201
3/4" IN CONDUIT	55-114-202202
1" IN CONDUIT	55-114-202203
1 1/4" IN CONDUIT	55-114-202204
1 1/2" IN CONDUIT	55-114-202205
2" IN CONDUIT	55-114-202206
2 1/2" IN CONDUIT	55-114-202207



FOR 9-LEAD Y-CONNECTED MOTORS, CONNECT TERMINALS T4, T5 & T6 TOGETHER AT THE MOTOR TERMINAL BOX.

**GE imagination at work**

**WIRING DIAGRAM**  
PART WINDING (CR330 C,D,E&F)

AN #	THIRD ANGLE PROJECTION	SHEET #	DWG NO.	DATE	REV
09-9120		1 OF 1	55-682545	10/14/2009	1