

SIZE	POWER WIRE BLACK
330C	N50KC45LA #10
330D	N50KC45NA #6
330E	N50KC45RA #2
330F	N50KC45TA #1/0

POWER WIRING (SEE TABLE)

- L1A TB OR LS,1M
- L2A TB OR LS,1M
- L3A TB OR LS,1M
- L1A TB OR LS,2M
- L2A TB OR LS,2M
- L3A TB OR LS,2M

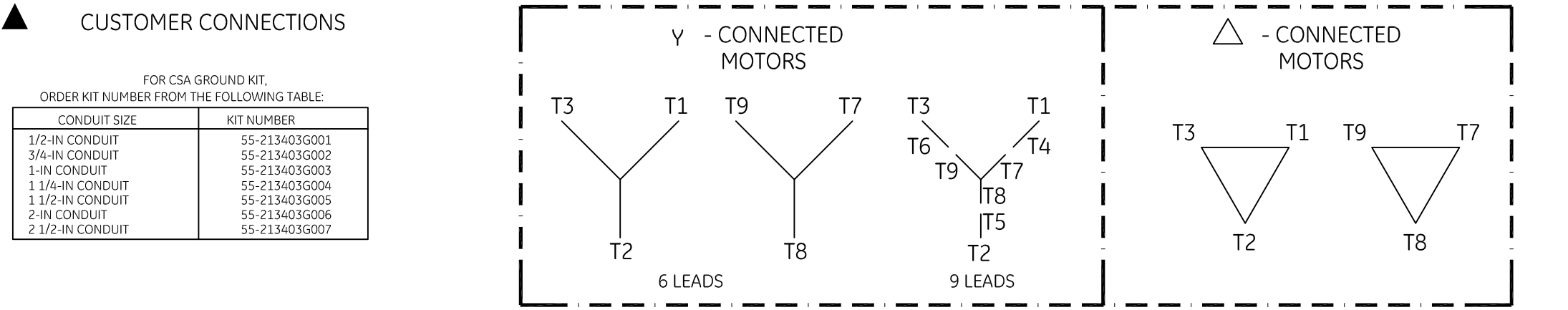
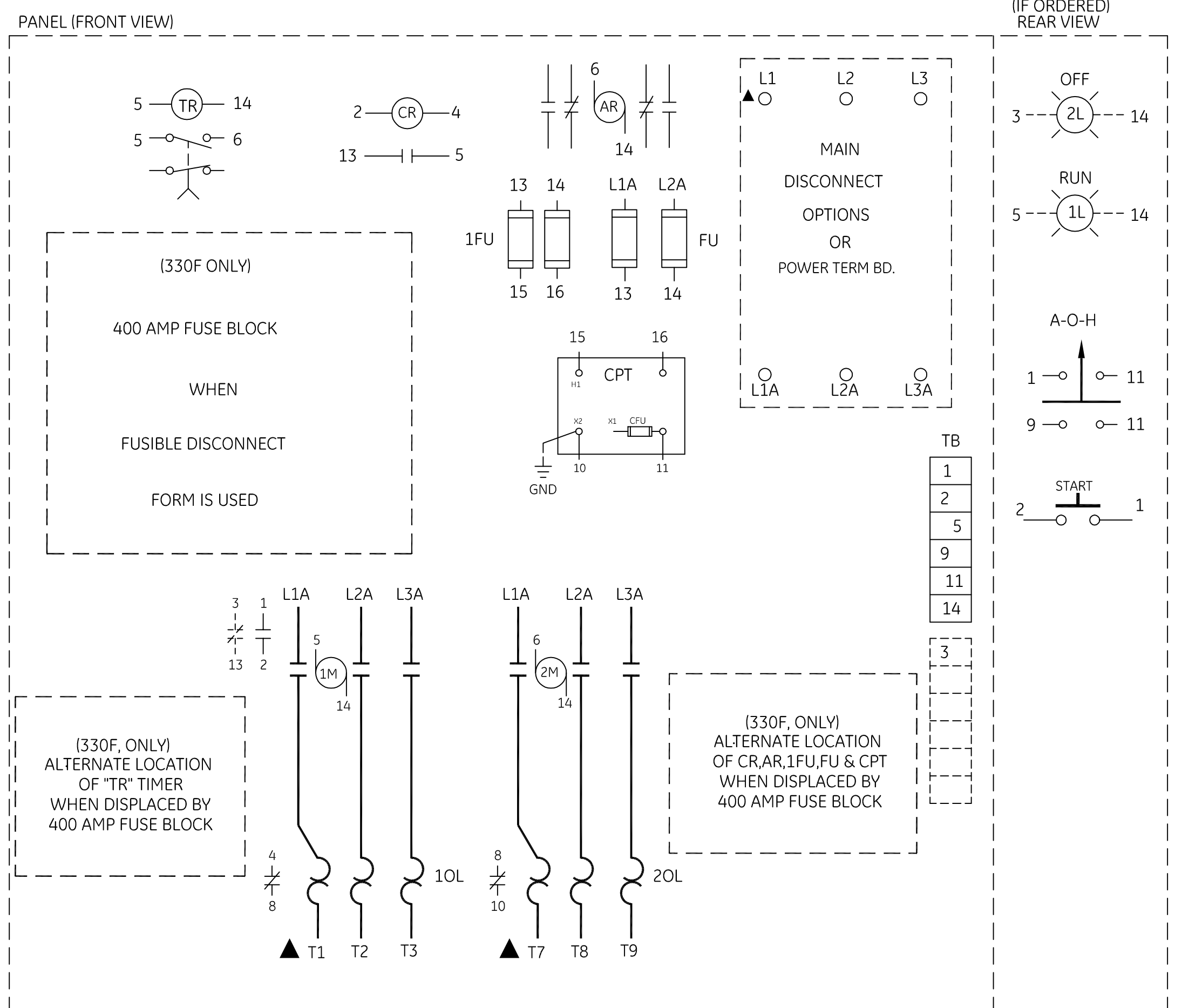
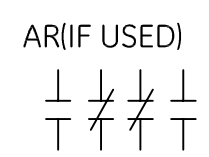
CONTROL WIRING

- LINE VOLTAGE CONTROL WIRING
N50KC41JA #14 BLACK
- CPT VOLTAGE CONTROL WIRING
N50KC41JC #14 RED
- CPT GROUND WIRING
N50KC41JD #14 GREEN

- NOMENCLATURE (IF ORDERED)**
- CPT CONTROL POWER TRANSFORMER
 - FU FUSE
 - 1L,2L INDICATING LIGHT
 - LS LINE SWITCH
 - 1M,2M LINE CONTACTORS
 - OL OVERLOAD RELAYS
 - PB PUSHBUTTON
 - SS SELECTOR SWITCH
 - TB TERMINAL BOARD
 - T.C. TIME CLOSING CONTACTS (TR)
 - TR PNEUMATIC TIMING RELAY

USE 75°C COPPER CONDUCTORS ONLY, FOR FIELD WIRING. TORQUE LINE AND LOAD TERMINALS AS MARKED OR AS SHOWN AT RIGHT:	NEMA SIZE	STARTER LINE & LOAD
	1	20 LB-IN
	2	50 LB-IN
	3	150 LB-IN
	4	200 LB-IN

TIMER (TR) IS SET FOR TWO SECONDS. FOR SETTINGS EXCEEDING FIVE SECONDS, REFER TO MOTOR MANUFACTURER.



FOR CSA GROUND KIT, ORDER KIT NUMBER FROM THE FOLLOWING TABLE:

CONDUIT SIZE	KIT NUMBER
1/2-IN CONDUIT	55-213403G001
3/4-IN CONDUIT	55-213403G002
1-IN CONDUIT	55-213403G003
1 1/4-IN CONDUIT	55-213403G004
1 1/2-IN CONDUIT	55-213403G005
2-IN CONDUIT	55-213403G006
2 1/2-IN CONDUIT	55-213403G007



**WIRING DIAGRAM
PART WINDING (CR330 C, D, E & F)**

AN #	THIRD ANGLE PROJECTION	SHEET #	DWG NO.	DATE	REV
09-9120		1 OF 1	55-682549	10/15/2009	1