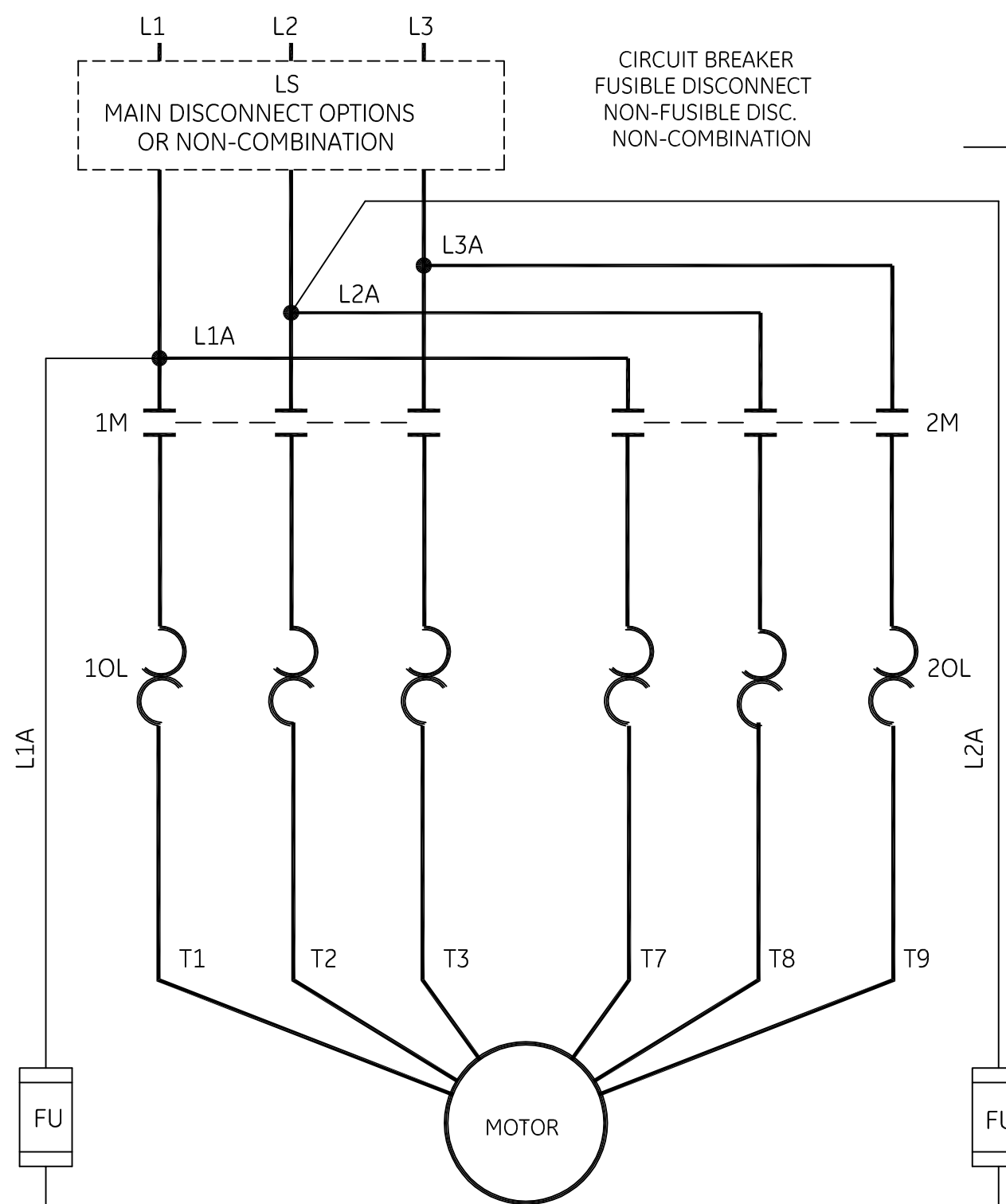


SIZE	POWER WIRE BLACK
330G	N50KC45XA 250 MCM

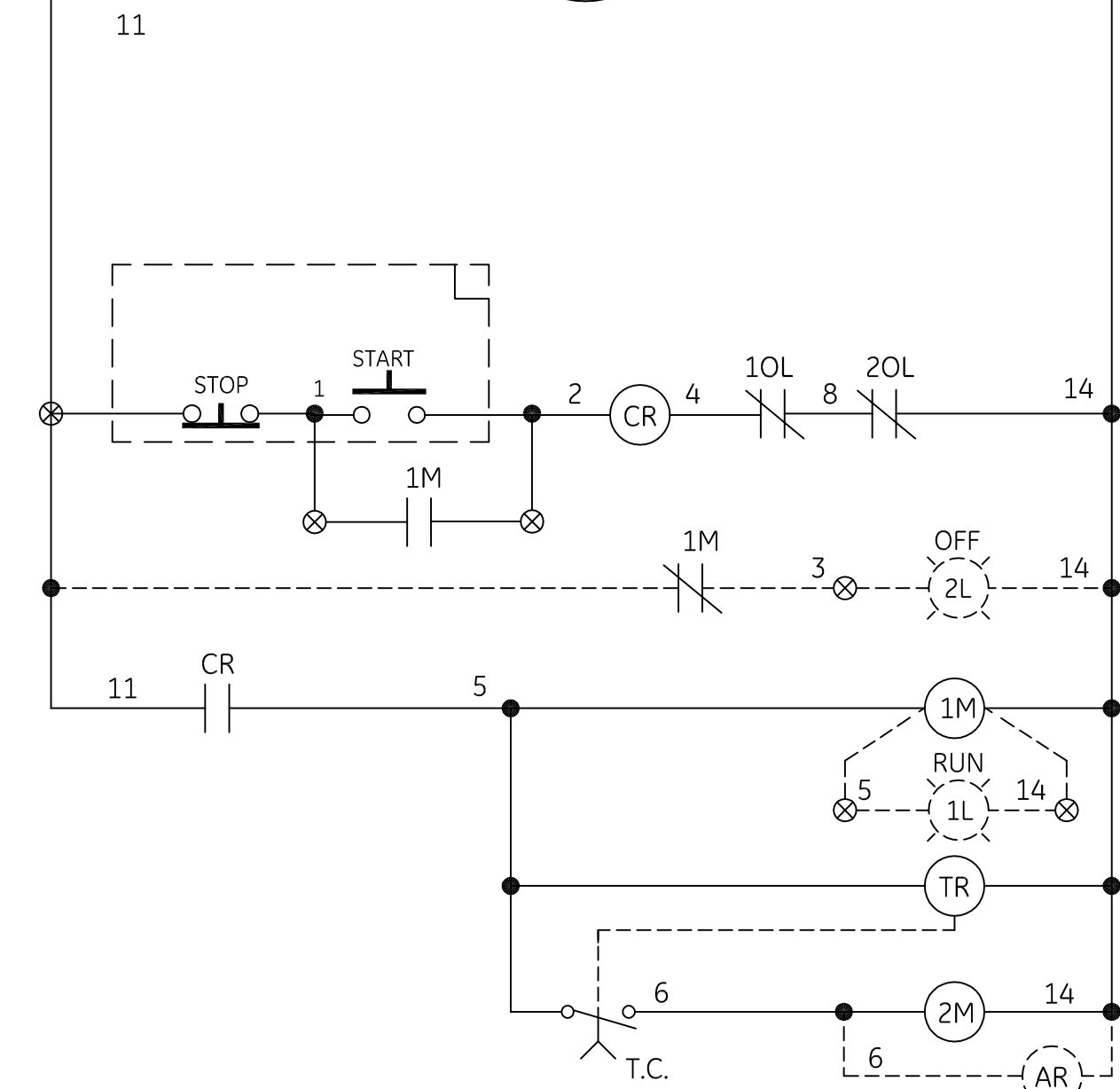


POWER WIRING (SEE TABLE)

- L1A TB OR LS,1M
- L2A TB OR LS,1M
- L3A TB OR LS,1M
- L1A TB OR LS,2M
- L2A TB OR LS,2M
- L3A TB OR LS,2M

CONTROL WIRING

LINE VOLTAGE CONTROL WIRING
N50KC41JA #14 BLACK



NOMENCLATURE (IF ORDERED)

- CPT CONTROL POWER TRANSFORMER
- FU FUSE
- 1L,2L INDICATING LIGHT
- LS LINE SWITCH
- 1M,2M LINE CONTACTORS
- OL OVERLOAD RELAYS
- PB PUSHBUTTON
- SS SELECTOR SWITCH
- TB TERMINAL BOARD
- T.C. TIME CLOSING CONTACTS (TR)
- TR PNEUMATIC TIMING RELAY

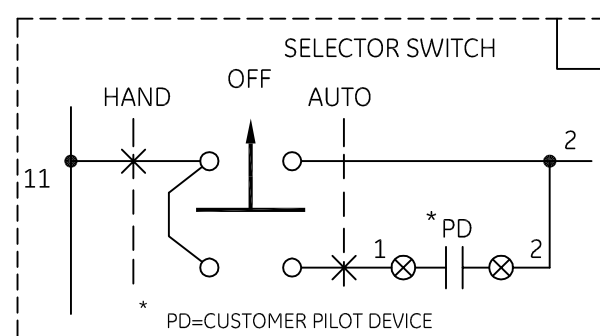
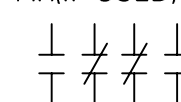
USE 75°C COPPER CONDUCTORS ONLY, FOR FIELD WIRING. TORQUE LINE AND LOAD TERMINALS AS MARKED OR AS SHOWN AT RIGHT:

NEMA SIZE	STARTER LINE & LOAD
5	300 LB-IN

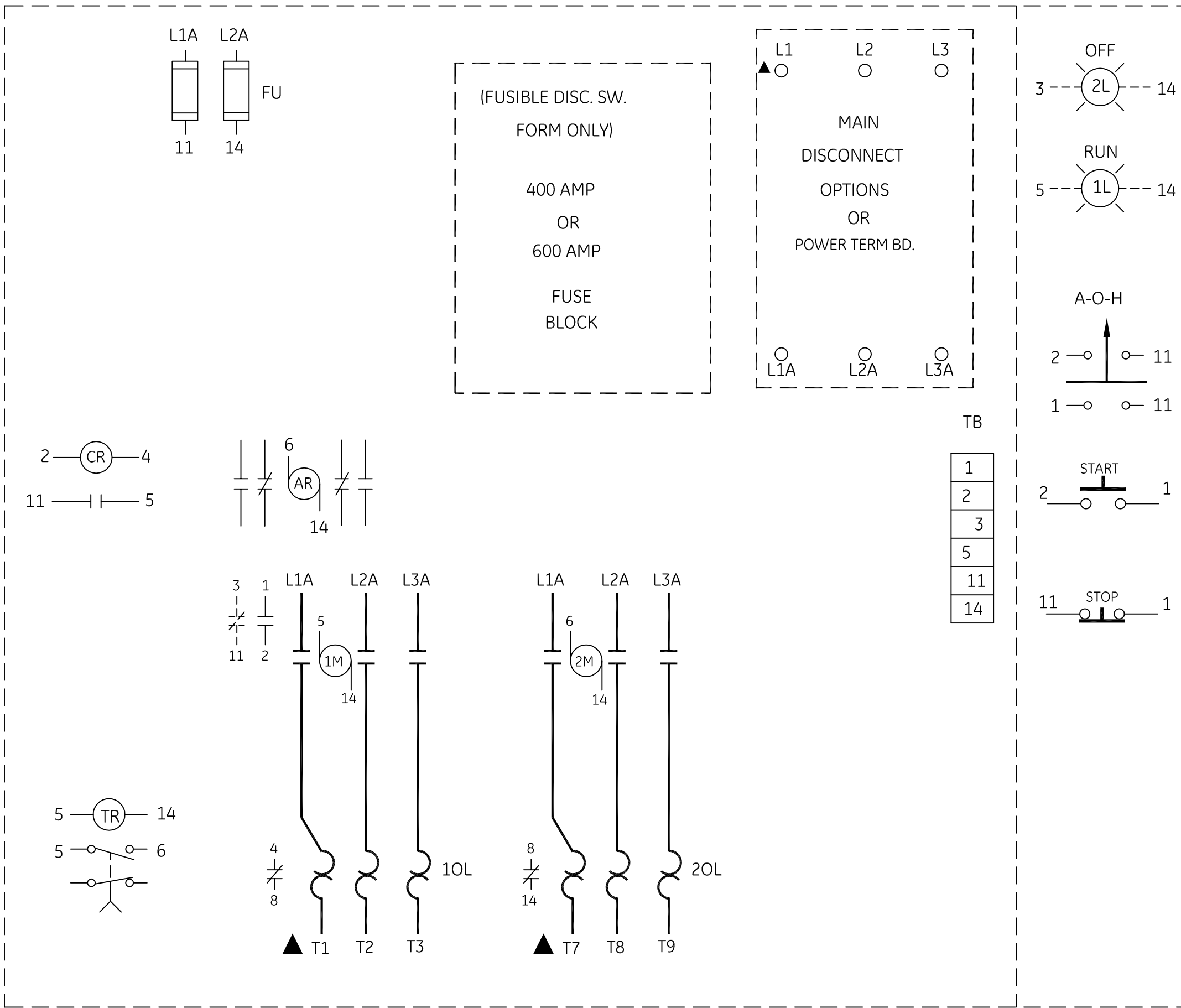
TIMER (TR) IS SET FOR TWO SECONDS. FOR SETTINGS EXCEEDING FIVE SECONDS, REFER TO MOTOR MANUFACTURER.

FOR HAND-OFF-AUTO CONTROL WITH PILOT DEVICE, DISCONNECT WIRE FROM TB POINT 1 AND RECONNECT TO TB POINT 2 AND WIRE AS SHOWN BELOW.

AR (IF USED)



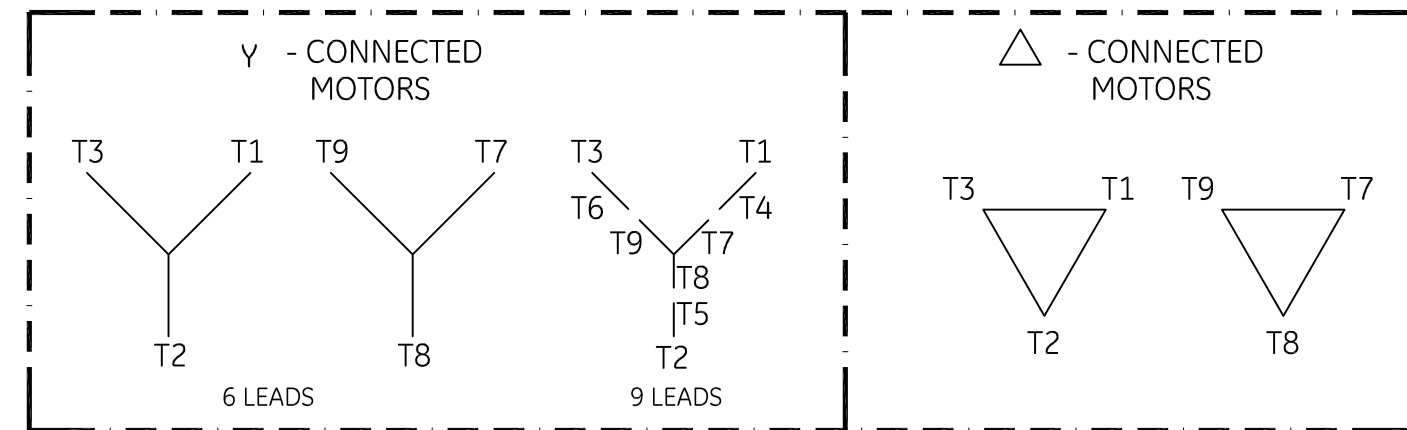
PANEL (FRONT VIEW)



CUSTOMER CONNECTIONS

FOR CSA GROUND KIT, ORDER KIT NUMBER FROM THE FOLLOWING TABLE:

CONDUIT SIZE	KIT NUMBER
1/2-IN CONDUIT	55-213403G001
3/4-IN CONDUIT	55-213403G002
1-IN CONDUIT	55-213403G003
1 1/4-IN CONDUIT	55-213403G004
1 1/2-IN CONDUIT	55-213403G005
2-IN CONDUIT	55-213403G006
2 1/2-IN CONDUIT	55-213403G007
3-IN CONDUIT	55-213403G008
3 1/2-IN CONDUIT	55-213403G009



FOR 9-LEAD Y-CONNECTED MOTORS, CONNECT TERMINALS T4, T5 & T6 TOGETHER AT THE MOTOR TERMINAL BOX.

GE imagination at work

**WIRING DIAGRAM
PART WINDING (CR330 G)**

AN #	THIRD ANGLE PROJECTION	SHEET #
09-9120		1 OF 1

DWG NO.	DATE	REV
55-682550	10/15/2009	1