

PANEL SIZE	POWER WIRE IDENT. "BLACK"	
	WIRE "W"	WIRE "X"
332C	N50KC45MA #8	N50KC45MA #8
332D	N50KC45NA #6	N50KC45NA #6
332E	N50KC45RA #2	N50KC45PA #4
332F	N50KC45TA #1/0	N50KC45RA #2

POWER WIRING (SEE TABLE)

WIRE "W"
 L1A TB OR LS, 1M
 L2A TB OR LS, 1M
 L3A TB OR LS, 1M
 L1A TB OR LS, 2M
 L2A TB OR LS, 2M
 L3A TB OR LS, 2M

WIRE "X"
 T4 2M, S
 T5 2M, S
 T6 2M, S

CONTROL WIRING

LINE VOLTAGE CONTROL WIRING
 N50KC41JA #14 BLACK

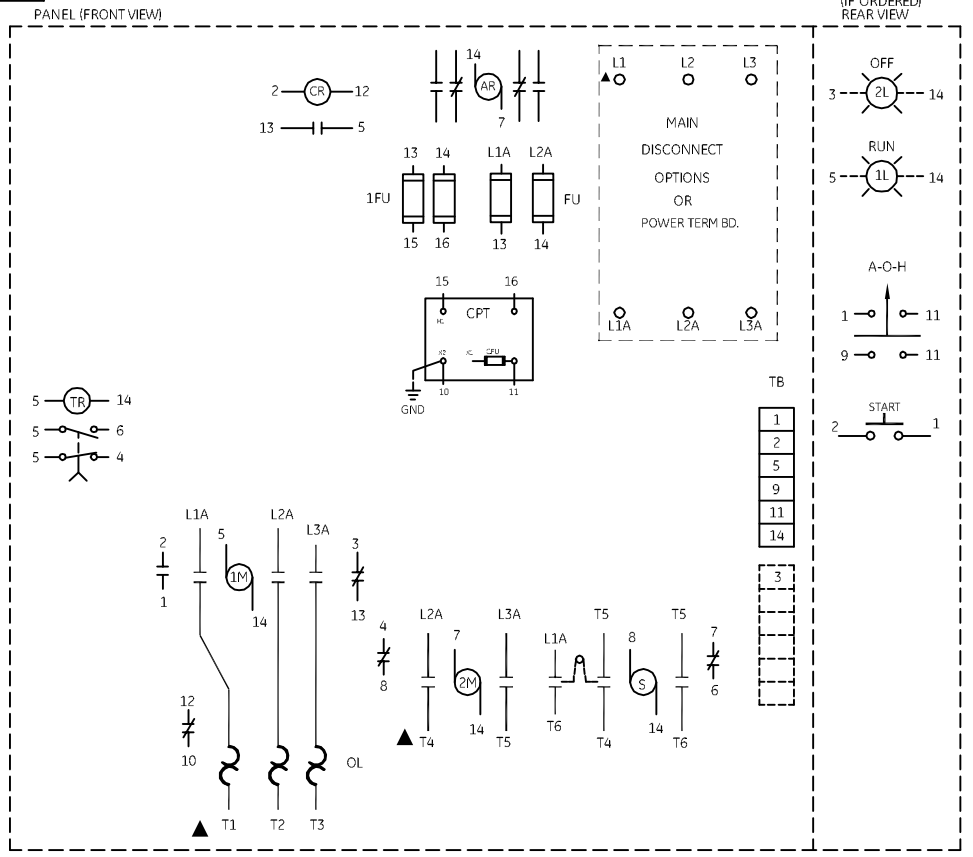
CPT VOLTAGE CONTROL WIRING
 N50KC41JC #14 RED

CPT GROUND WIRING
 N50KC41JD #14 GREEN

TIME ADJUSTMENT
 THE ACCELERATING TIMER (TR) IS SET BY THE FACTORY TO OPERATE AT APPROX. 10 SEC. THIS TIME SETTING MAY BE ADJUSTED BY TURNING THE ADJUSTMENT SCREW ON THE TIMER IN THE DESIRED DIRECTION.

WHEN INSTALLING FIELD WIRING, USE COPPER CONDUCTORS ONLY, EXCEPT AT TERMINALS WHICH ARE LABELED WITH INSTRUCTIONS REGARDING THE PROPER INSTALLATION OF ALUMINUM WIRE.

AR (IF USED)



CUSTOMER CONNECTIONS

USE 75°C COPPER CONDUCTORS ONLY FOR FIELD WIRING. TORQUE LINE AND LOAD TERMINALS AS MARKED OR AS SHOWN AT RIGHT.

NEHA SIZE	STARTER LINE & LOAD
1	20 LB IN
2	50 LB IN
3	150 LB IN
4	200 LB IN

- NOMENCLATURE (IF ORDERED)**
- AR AUXILIARY RELAY
 - CPT CONTROL POWER TRANSFORMER
 - FU FUSE
 - 1L, 2L INDICATING LIGHT
 - LS LINE SWITCH
 - 1M, 2M LINE CONTACTORS
 - OL OVERLOAD RELAY
 - PB PUSHBUTTON
 - S START CONTACTOR
 - SS SELECTOR SWITCH
 - TB TERMINAL BOARD
 - TC TIME CLOSING CONTACTS (TR)
 - TO TIME OPENING CONTACTS (TR)
 - TR TIME DELAY RELAY

FOR CSA GROUND KIT, ORDER KIT NUMBER FROM THE FOLLOWING TABLE

CONDUIT SIZE	KIT NUMBER
1/2" IN. CONDUIT	55-2134-032-001
3/4" IN. CONDUIT	55-2134-032-002
1" IN. CONDUIT	55-2134-032-003
1 1/4" IN. CONDUIT	55-2134-032-004
1 1/2" IN. CONDUIT	55-2134-032-005
2" IN. CONDUIT	55-2134-032-006
2 1/2" IN. CONDUIT	55-2134-032-007

GE imagination at work

WIRING DIAGRAM
 STAR-DELTA (CR332 C, D, E & F) OT

DWG NO.	DATE	REV
55-682561	10/14/2009	1

AN #	THIRD ANGLE PROJECTION	SHEET #
09-9120		1 OF 1