

PANEL SIZE	POWER WIRE IDENT. "BLACK"	
	WIRE "W"	WIRE "X"
332C	N50KC45MA #8	N50KC45MA #8
332D	N50KC45NA #6	N50KC45NA #6
332E	N50KC45RA #2	N50KC45PA #4
332F	N50KC45TA #1/0	N50KC45RA #2

POWER WIRING (SEE TABLE)

WIRE "W"
 L1A TB OR LS,1M
 L2A TB OR LS,1M
 L3A TB OR LS,1M
 L1A TB OR LS,2M
 L2A TB OR LS,2M
 L3A TB OR LS,2M

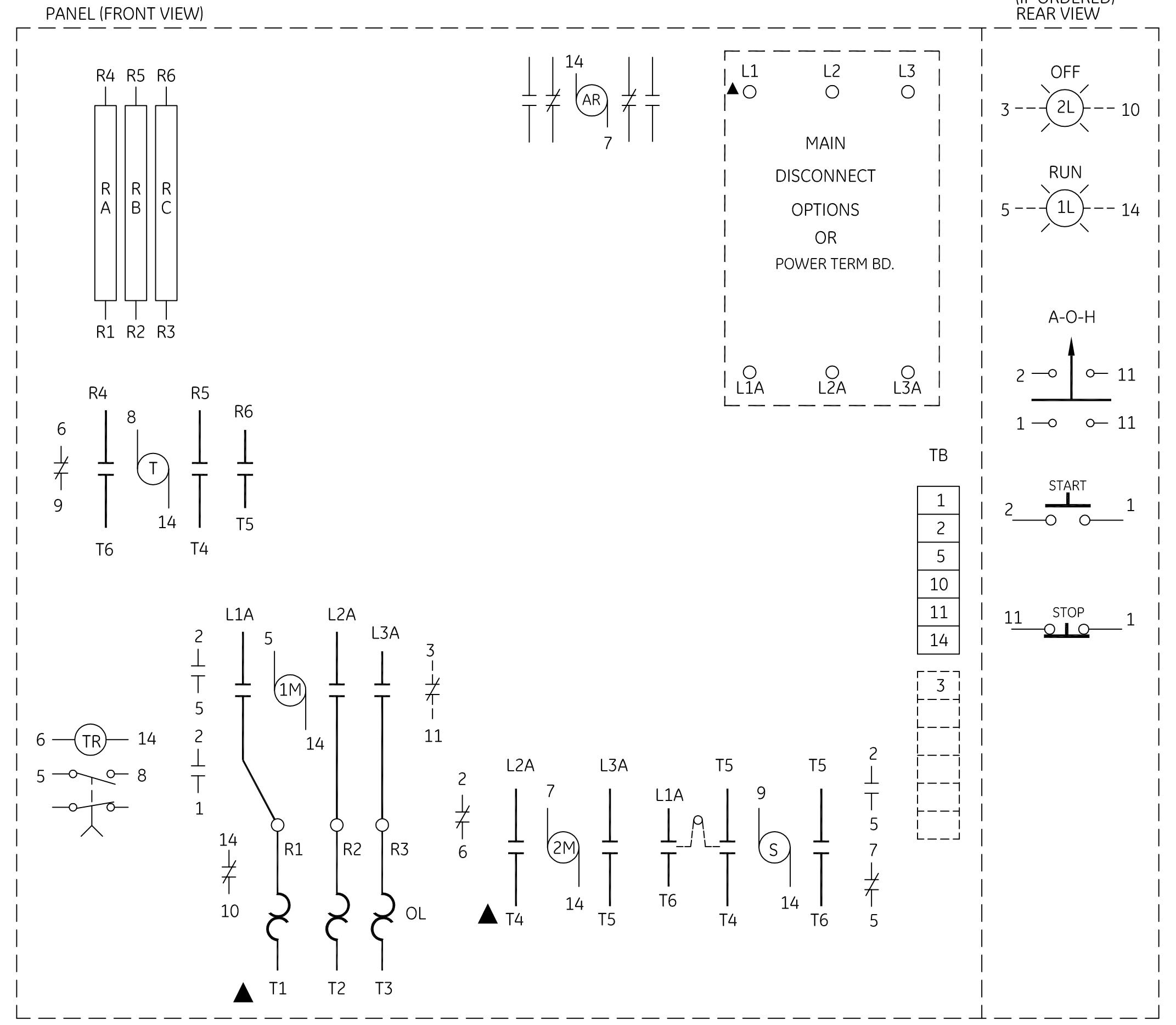
WIRE "X"
 T4 2M,S
 T5 2M,S
 T6 2M,S

N50KC42MA #8 RES.
 R1 OL,RA
 R2 OL,RB
 R3 OL,RC
 R4 T,RA
 R5 T,RB
 R6 T,RC

N50KC45MA #8 BLACK
 T4 2M,T
 T5 2M,T
 T6 2M,T

CONTROL WIRING

120 VOLT CONTROL WIRING
 N50KC41JC #14 RED



NOMENCLATURE (IF ORDERED)

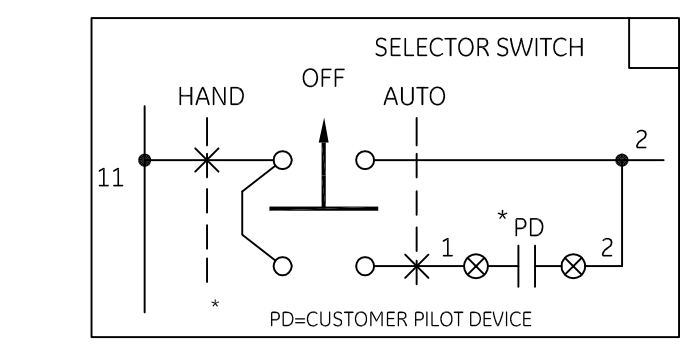
- AR AUXILIARY RELAY
- CPT CONTROL POWER TRANSFORMER
- FU FUSE
- 1L,2L INDICATING LIGHT
- LS LINE SWITCH
- 1M,2M LINE CONTACTORS
- OL OVERLOAD RELAY
- PB PUSHBUTTON
- RA,RB,RC RESISTORS
- S START CONTACTOR
- SS SELECTOR SWITCH
- T TRANSITION CONTACTOR
- TB TERMINAL BOARD
- TC TIME CLOSING CONTACTS (TR)
- TR TIME DELAY RELAY

FOR CSA GROUND KIT, ORDER KIT NUMBER FROM THE FOLLOWING TABLE:

CONDUIT SIZE	KIT NUMBER
1/2-IN CONDUIT	55-213403G001
3/4-IN CONDUIT	55-213403G002
1-IN CONDUIT	55-213403G003
1 1/4-IN CONDUIT	55-213403G004
1 1/2-IN CONDUIT	55-213403G005
2-IN CONDUIT	55-213403G006
2 1/2-IN CONDUIT	55-213403G007

USE 75°C COPPER CONDUCTORS ONLY, FOR FIELD WIRING. TORQUE LINE AND LOAD TERMINALS AS MARKED OR AS SHOWN AT RIGHT:

NEMA SIZE	STARTER LINE & LOAD
1	20 LB-IN
2	50 LB-IN
3	150 LB-IN
4	200 LB-IN

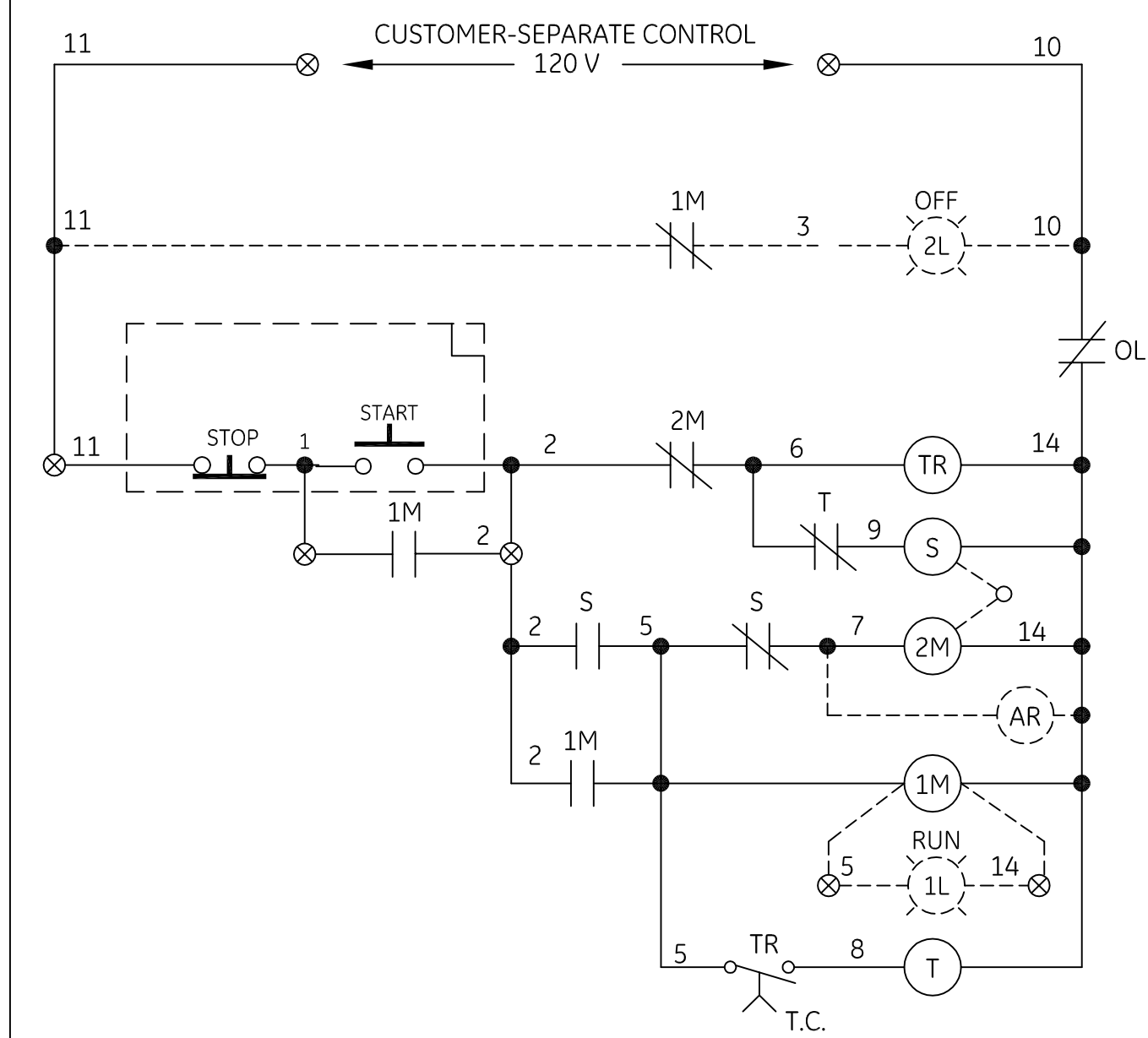


TIME ADJUSTMENT
 THE ACCELERATING TIMER (TR) IS SET BY THE FACTORY TO OPERATE AT APPROX. 10 SEC. THIS TIME SETTING MAY BE ADJUSTED BY TURNING THE ADJUSTMENT SCREW ON THE TIMER IN THE DESIRED DIRECTION.

WHEN INSTALLING FIELD WIRING, USE COPPER CONDUCTORS ONLY, EXCEPT AT TERMINALS WHICH ARE LABELED WITH INSTRUCTIONS REGARDING THE PROPER INSTALLATION OF ALUMINUM WIRE.

FOR HAND-OFF-AUTO CONTROL WITH PILOT DEVICE, DISCONNECT WIRE FROM TB POINT 1 AND RECONNECT TO TB POINT 2 AND WIRE AS SHOWN BELOW.

AR(IF USED)
 $\frac{1}{T} \frac{1}{T} \frac{1}{T} \frac{1}{T}$



GE imagination at work

WIRING DIAGRAM
STAR-DELTA (CR332 C, D, E & F) CT

DWG NO.	55-682563	DATE	10/14/2009	REV	1
---------	-----------	------	------------	-----	---

AN #	THIRD ANGLE PROJECTION	SHEET #
09-9120		1 OF 1