

PANEL SIZE	POWER WIRE IDENT. "BLACK"	
	WIRE "W"	WIRE "X"
332C	N50KC45MA #8	N50KC45MA #8
332D	N50KC45NA #6	N50KC45NA #6
332E	N50KC45RA #2	N50KC45PA #4
332F	N50KC45TA #1/0	N50KC45RA #2

POWER WIRING (SEE TABLE)

WIRE "W"
 L1A TB OR LS,1M
 L2A TB OR LS,1M
 L3A TB OR LS,1M
 L1A TB OR LS,2M
 L2A TB OR LS,2M
 L3A TB OR LS,2M

WIRE "X"
 T4 2M,S
 T5 2M,S
 T6 2M,S

N50KC42MA #8 RES.

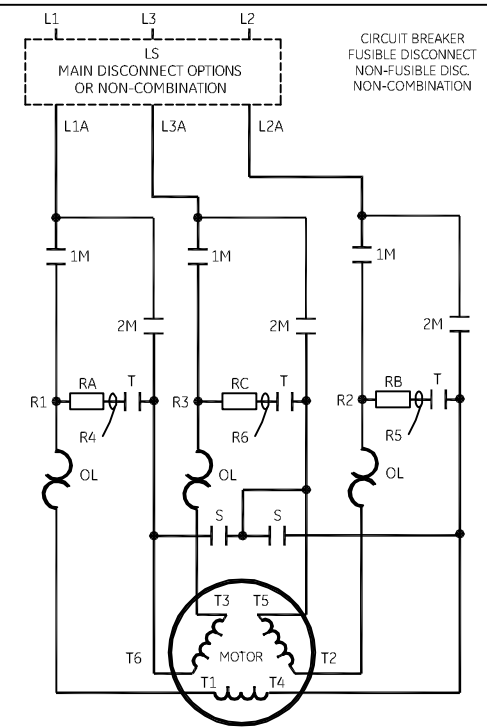
R1 OL,RA
 R2 OL,RB
 R3 OL,RC
 R4 T,RA
 R5 T,RB
 R6 T,RC

N50KC45MA #8 BLACK

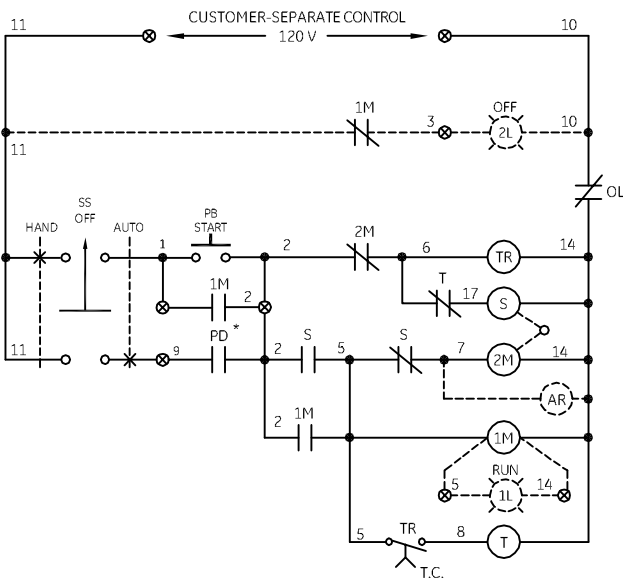
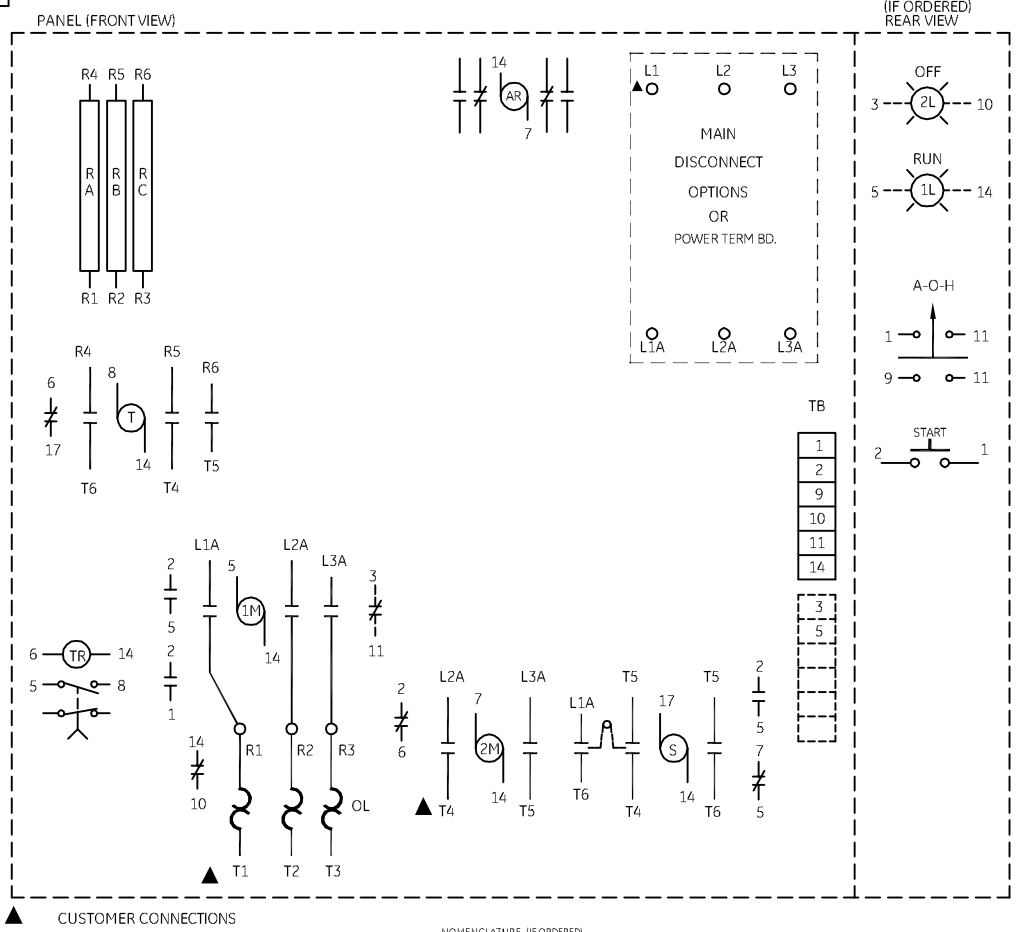
T4 2M,T
 T5 2M,T
 T6 2M,T

CONTROL WIRING

120 VOLT CONTROL WIRING
 N50KC41JC #14 RED



CIRCUIT BREAKER
 FUSIBLE DISCONNECT
 NON-FUSIBLE DISC.
 NON-COMBINATION



TIME ADJUSTMENT
 THE ACCELERATING TIMER (TR) IS SET BY THE FACTORY TO OPERATE AT APPROX. 10 SEC. THIS TIME SETTING MAY BE ADJUSTED BY TURNING THE ADJUSTMENT SCREW ON THE TIMER IN THE DESIRED DIRECTION.

WHEN INSTALLING FIELD WIRING, USE COPPER CONDUCTORS ONLY, EXCEPT AT TERMINALS WHICH ARE LABELED WITH INSTRUCTIONS REGARDING THE PROPER INSTALLATION OF ALUMINUM WIRE.



CUSTOMER CONNECTIONS

USE 75°C COPPER CONDUCTORS ONLY, FOR FIELD WIRING, TORQUE LINE AND LOAD TERMINALS AS MARKED OR AS SHOWN AT RIGHT:

NEMA SIZE	STARTER LINE SIZE
1	20 LB-4N
2	50 LB-4N
3	100 LB-4N
4	200 LB-4N

NOMENCLATURE (IF ORDERED)

- AR AUXILIARY RELAY
- CPT CONTROL POWER TRANSFORMER
- FU FUSE
- IL2L INDICATING LIGHT
- LS LINE SWITCH
- 1H, 2H, 3H LINE CONTACTORS
- OL OVERLOAD RELAY
- PB PUSHBUTTON
- RA, RB, RC RESISTORS
- S START CONTACTOR
- SS SELECTOR SWITCH
- T TRANSITION CONTACTOR
- TB TERMINAL BOARD
- TIC TIME CLOSING CONTACTS (TR)
- TR TIME DELAY RELAY

FOR CSA GROUND KIT, ORDER KIT NUMBER FROM THE FOLLOWING TABLE:

CONDUIT SIZE	KIT NUMBER
1/2-IN. CONDUIT	95-213433C01
3/4-IN. CONDUIT	95-213433C02
1-IN. CONDUIT	95-213433C03
1 1/4-IN. CONDUIT	95-213433C04
1 1/2-IN. CONDUIT	95-213433C05
2-IN. CONDUIT	95-213433C06
2 1/2-IN. CONDUIT	95-213433C07

imagination at work

**WIRING DIAGRAM
 STAR-DELTA (CR332 C, D, E & F) CT**

AN #	THIRD ANGLE PROJECTION	SHEET #
09-9120		1 OF 1

DWG NO.	DATE	REV
55-682566	10/14/2009	1