

PANEL SIZE	POWER WIRE IDENT. "BLACK"	
	WIRE "W"	WIRE "X"
332C	N50KC45MA #8	N50KC45MA #8
332D	N50KC45NA #6	N50KC45NA #6
332E	N50KC45RA #2	N50KC45PA #4
332F	N50KC45TA #1/0	N50KC45RA #2

POWER WIRING (SEE TABLE)

WIRE "W"
 L1A TB OR LS,1M
 L2A TB OR LS,1M
 L3A TB OR LS,1M
 L1A TB OR LS,2M
 L2A TB OR LS,2M
 L3A TB OR LS,2M

WIRE "X"
 T4 2M,S
 T5 2M,S
 T6 2M,S

N50KC42MA #8 RES.
 R1 OL,RA
 R2 OL,RB
 R3 OL,RC
 R4 T,RA
 R5 T,RB
 R6 T,RC

N50KC45MA #8 BLACK
 T4 2M,T
 T5 2M,T
 T6 2M,T

CONTROL WIRING

LINE VOLTAGE CONTROL WIRING
 N50KC41JA #14 BLACK

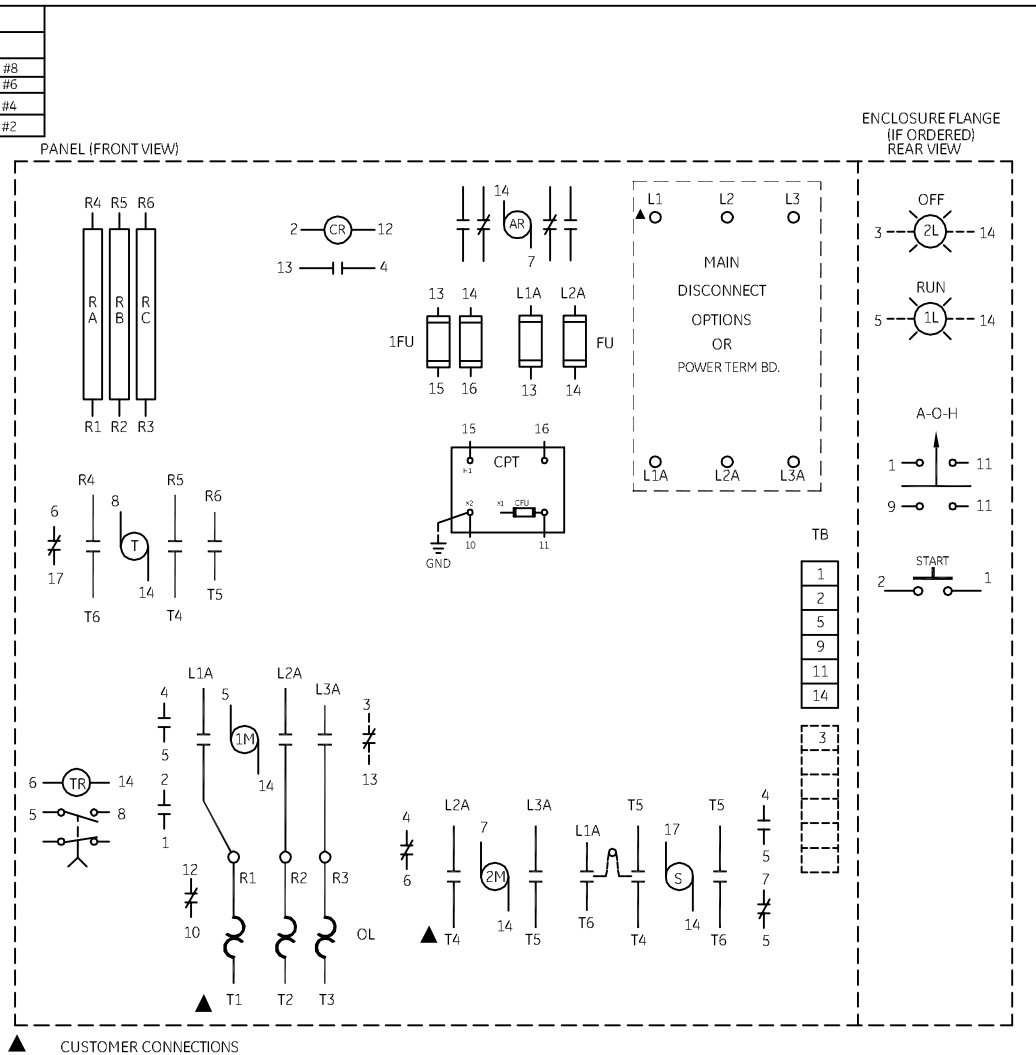
CPT VOLTAGE CONTROL WIRING
 N50KC41JC #14 RED

CPT GROUND WIRING
 N50KC41JD #14 GREEN

TIME ADJUSTMENT
 THE ACCELERATING TIMER (TR) IS SET BY THE FACTORY TO OPERATE AT APPROX. 10 SEC. THIS TIME SETTING MAY BE ADJUSTED BY TURNING THE ADJUSTMENT SCREW ON THE TIMER IN THE DESIRED DIRECTION.

WHEN INSTALLING FIELD WIRING, USE COPPER CONDUCTORS ONLY, EXCEPT AT TERMINALS WHICH ARE LABELED WITH INSTRUCTIONS REGARDING THE PROPER INSTALLATION OF ALUMINUM WIRE.

AR (IF USED)



CUSTOMER CONNECTIONS

USE 75°C COPPER CONDUCTORS ONLY, FOR FIELD WIRING. TORQUE LINE AND LOAD TERMINALS AS MARKED OR AS SHOWN AT RIGHT:

NEMA SIZE	STARTER LINE & LOAD
1	20 LB-IN
2	50 LB-IN
3	150 LB-IN
4	200 LB-IN

NOMENCLATURE (IF ORDERED)
 AR AUXILIARY RELAY
 CPT CONTROL POWER TRANSFORMER
 FU FUSE
 1L, 2L INDICATING LIGHT
 LS LINE SWITCH
 1M, 2M LINE CONTACTORS
 OL OVERLOAD RELAY
 PB PUSHBUTTON
 RA, RB, RC RESISTORS
 S START CONTACTOR
 SS TRANSITION SWITCH
 T TRANSITION CONTACTOR
 TB TERMINAL BOARD
 TC TIME CLOSING CONTACTS (TR)
 TR TIME DELAY RELAY

FOR CSA GROUND KIT:
 ORDER KIT NUMBER FROM THE FOLLOWING TABLE

CONDUIT SIZE	KIT NUMBER
1/2" IN. CONDUIT	85-213-032 001
3/4" IN. CONDUIT	85-213-032 002
1" IN. CONDUIT	85-213-032 003
1 1/4" IN. CONDUIT	85-213-032 004
1 1/2" IN. CONDUIT	85-213-032 005
2" IN. CONDUIT	85-213-032 006
2 1/2" IN. CONDUIT	85-213-032 007

AN #	THIRD ANGLE PROJECTION	SHEET #
09-9120		1 OF 1

GE imagination at work

WIRING DIAGRAM
STAR-DELTA (CR332 C, D, E & F) CT

DWG NO.	DATE	REV
55-682567	10/14/2009	1